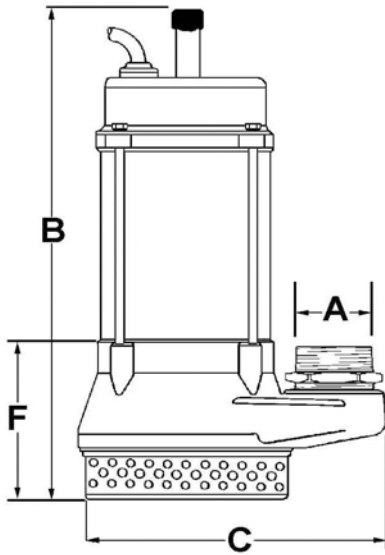
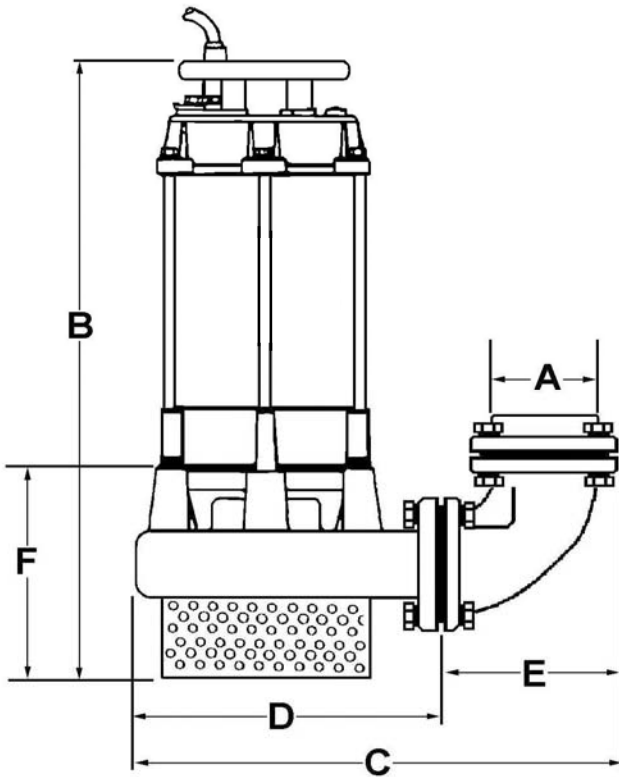


JXF & JXHF SERIES



MODEL	A	B	C	F
JX400-F	2.0"	15.7"	8.5"	4.75"
JX750-F	2.0"	17.3"	11.2"	5.25"
JX1500-F	3.0"	18.7"	12.5"	5.25"
JX1500H-F	2.0"	18.7"	12.5"	5.25"
JX08-F	2.0"	15.2"	11.2"	5.25"
JX15-F	3.0"	16.4"	11.2"	5.25"
JX15H-F	2.0"	16.4"	11.2"	5.25"
JX22-F	3.0"	18.5"	12.5"	6.25"
JX22H-F	2.0"	18.5"	12.5"	6.25"
JX37-F	4.0"	19.7"	12.5"	6.25"
JX37H-F	2.0"	19.7"	12.5"	6.25"



MODEL	A	B	C	D	E	F
JX55C-F	4.0"	25.5"	20.5"	13.25"	7.25"	8.0"
JX75C-F	4.0"	27.75"	20.5"	13.25"	7.25"	8.0"
JX55CH-F	3.0"	25.5"	20.5"	13.25"	7.25"	8.0"
JX75CH-F	4.0"	27.75"	20.5"	13.25"	7.25"	8.0"