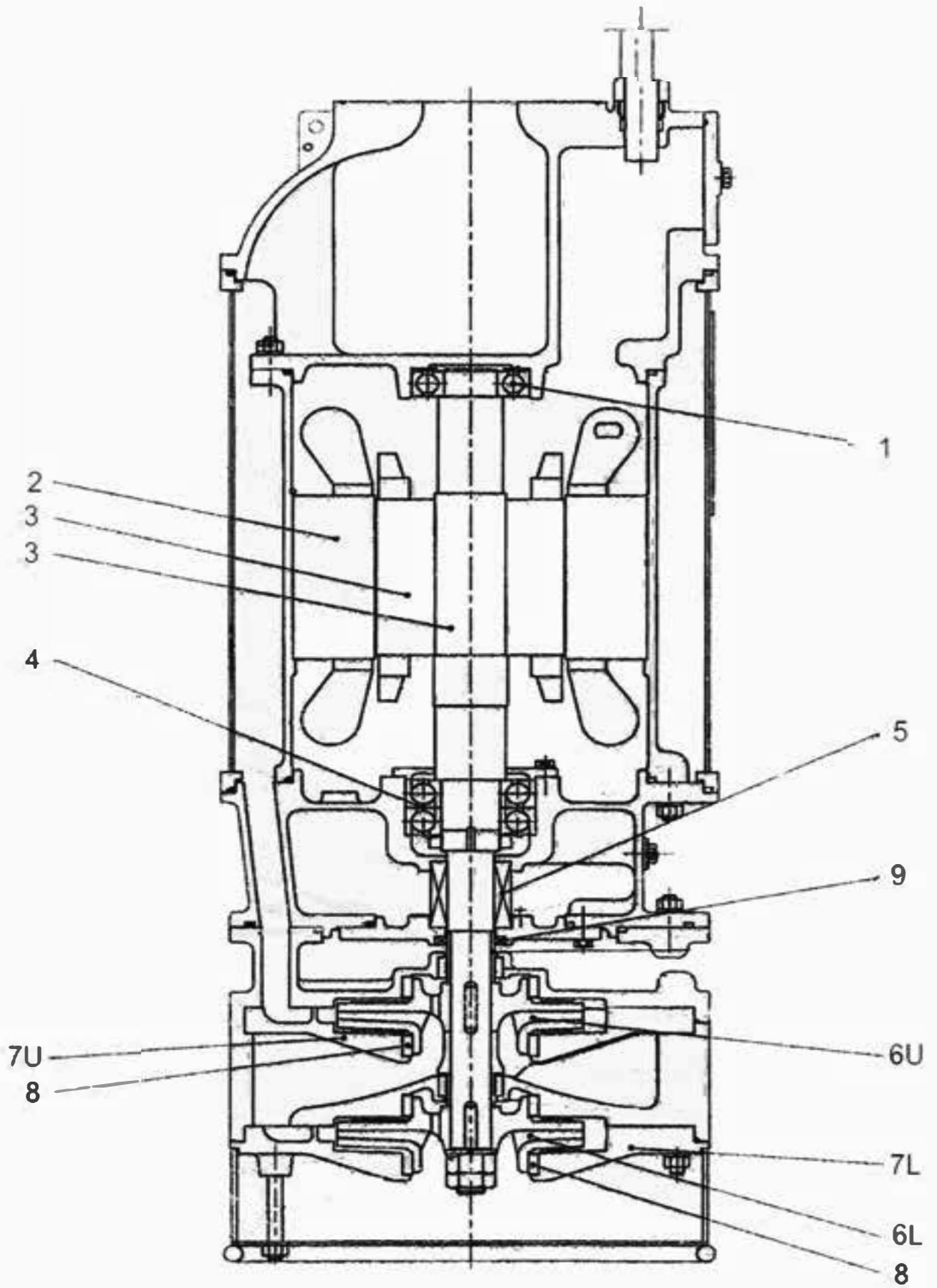


## KHD - SERIES

	PUMP MODEL	KHD110	KHD220	KHD450	KHD750
Pos. No.	Part Description	Item #	Item #	Item #	Item #
1	Bearing, Upper	200961	200962	205299	205299
2	Stator, 460/3/60	205259	205268	205277	205286
2	Stator, 575/3/60	205260	205269	205278	205287
3	Rotor Shaft	205261	205270	205279	205288
4	Bearing, Lower	200495	204209	200496	200496
5	Seal, Double Mech, Buna,	205262	205271	205280	205280
6	Impeller, High Chrome	205263	205272	205281	205289
7	Cover, Suction	205264	205273	205282	205282
8	Wear ring	205265	205274	205283	205283
9	Lip seal	205266	205275	205284	205284
10	Guide vane	----	205297	205298	205298
	<b>O-ring Kit, Buna N</b>	205267	205276	205285	205290

## KHH - SERIES

	PUMP MODEL	KHH220
Pos. No.	Part Description	Item #
1	Bearing, Upper	200962
2	Stator, 460/3/60	205268
2	Stator, 575/3/60	205269
3	Rotor Shaft	205291
4	Bearing, Lower	204209
5	Seal, Double Mech, Buna	205271
6U	Impeller, Upper, High Chrome	205292
6L	Impeller, Lower, High Chrome	205293
7U	Guide Vane, Upper	205294
7L	Guide Vane, Lower	205295
8	Wear ring	205274
9	Lip seal	205275
	<b>O-ring Kit, Buna N</b>	205296



**EXPLODED VIEW OF KHD 110**

