

HYD3-SERIES

	Pump Model	KZN-HYD3	
Pos. No.	Part Description	Item #	QTY
09	Bolt-Top Cover	203243	4
12	3" NPT Male Coupling Flange	202583	1
13	Bolt-Discharge Flange	203262	4
14	Motor Housing	202295	1
19	Spring Washer	202361	1
21	Upper Ball Bearing	200968	1
22	Shaft	200469	1
23	Bolt-Bearing Retainer	203220	3
24	Lower Bearing Retainer	202276	1
25	Lower Bearing Housing	202377	1
26	Lower Ball Bearing	200963	1
28	Bolt-Bearing Housing	203229	4
29	Bolt-Oil Inspection	203261	1
31	Bolt -Pump Housing	203271	6
32	Pump Housing	202191	1
32	Pump Housing Hardened (optional)	202193	1
33	Mech. Seals-set	200419	1
34	Screw-Seal Retainer	203214	4
35	Mech. Seal Retainer	202271	1
37	Bolt-Oil Chamber Cover	203229	4
38	Oil Chamber Cover	202225	1
39	Lip Seal	202248	1
40	Shaft Sleeve	203071	1
41	Impeller	202976	1
42	Impeller Key	202146	1
43	Suction Cover	202869	1
44	Wear Plate	202018	1
45	Bolt-Suction Cover	203236	4
46	Bolt-Wear Plate	203253	4
47	Bolt-Strainer/Stand	203258	4
48	Strainer Stand	201982	1
51	Lock Washer	202917	1
52	Agitator	202983	1
53	Pump Housing Sleeve	202182	1
	O-Ring Kit-Buna N	202653	1

HYD3-SERIES

	Pump Model	KZN-HYD3	
Pos. No.	Part Description	Item #	QTY
	HYDRA-TECH PARTS		
01	Lifting Bracket	7100	1
02	Hex Bolt SS 1/2" x 1 1/4"	155	2
03	Oil pipe inlet	9954A	1
04	O-ring 213	9955	2
05	O-ring 910	9956	1
06	Oil pipe return	9957A	1
07	O-ring 217	9958	2
08	O-ring 912	9959	1
10	Top Cover HYD3	9950	1
11	O-ring top cover	9961	1
15	Spacer Ring HYD3	9965	1
16	Hydraulic Motor	9945	1
17	Hex Bolt 3/8" x 1 1/4"	9353	2
18	Motor Support Plate HYD3	9966	1
55	Pig Tail Hose Assy.	2276	2
56	QD Coupler - MALE, 3/4"	2175	1
57	QD Coupler - F, 3/4" wing nut	2174	1

HYD4-SERIES

	Pump Model	KZN-HYD4	
Pos. No.	Part Description	Item #	QTY
09	Bolt-Top Cover	203243	4
12	4" NPT Male Coupling Flange	202585	1
13	Bolt-Discharge Flange	203262	4
14	Motor Housing	202295	1
19	Spring Washer	202361	1
21	Upper Ball Bearing	200968	1
22	Shaft	200469	1
23	Bolt-Bearing Retainer	203220	3
24	Lower Bearing Retainer	202276	1
25	Lower Bearing Housing	202377	1
26	Lower Ball Bearing	200963	1
28	Bolt-Bearing Housing	203229	4
29	Bolt-Oil Inspection	203261	1
31	Bolt -Pump Housing	203271	6
32	Pump Housing	202191	1
32	Pump Housing Hardened (optional)	202193	1
33	Mech. Seals-set	200419	1
34	Screw-Seal Retainer	203214	4
35	Mech. Seal Retainer	202271	1
37	Bolt-Oil Chamber Cover	203229	4
38	Oil Chamber Cover	202225	1
39	Lip Seal	202248	1
40	Shaft Sleeve	203071	1
41	Impeller	202980	1
42	Impeller Key	202146	1
43	Suction Cover	202873	1
44	Wear Plate	202018	1
45	Bolt-Suction Cover	203236	4
46	Bolt-Wear Plate	203253	4
47	Bolt-Strainer/Stand	203258	4
48	Strainer Stand	201982	1
51	Lock Washer	202917	1
52	Agitator	202983	1
53	Pump Housing Sleeve	202182	1
	O-Ring Kit-Buna N	202654	1

HYD4-SERIES

	Pump Model	KZN-HYD4	
Pos. No.	Part Description	Item #	QTY
	HYDRA-TECH PARTS		
01	Lifting Bracket	7100	1
02	Hex Bolt SS 1/2" x 1-1/4"	155	2
03	Oil pipe inlet	9954A	1
04	O-ring 213	9955	2
05	O-ring 910	9956	1
06	Oil pipe return	9957A	1
07	O-ring 217	9958	2
08	O-ring 912	9959	1
10	Top Cover HYD4	9950	1
11	O-ring top cover	9961	1
15	Spacer Ring HYD4	9965	1
16	Hydraulic Motor	9951	1
17	Hex Bolt 3/8" x 1-1/4"	9353	2
18	Motor Support Plate HYD4	9966	1
55	Pig Tail Hose Assy.	2276	2
56	QD Coupler - MALE, 3/4"	2175	1
57	QD Coupler - F, 3/4" wing nut	2174	1

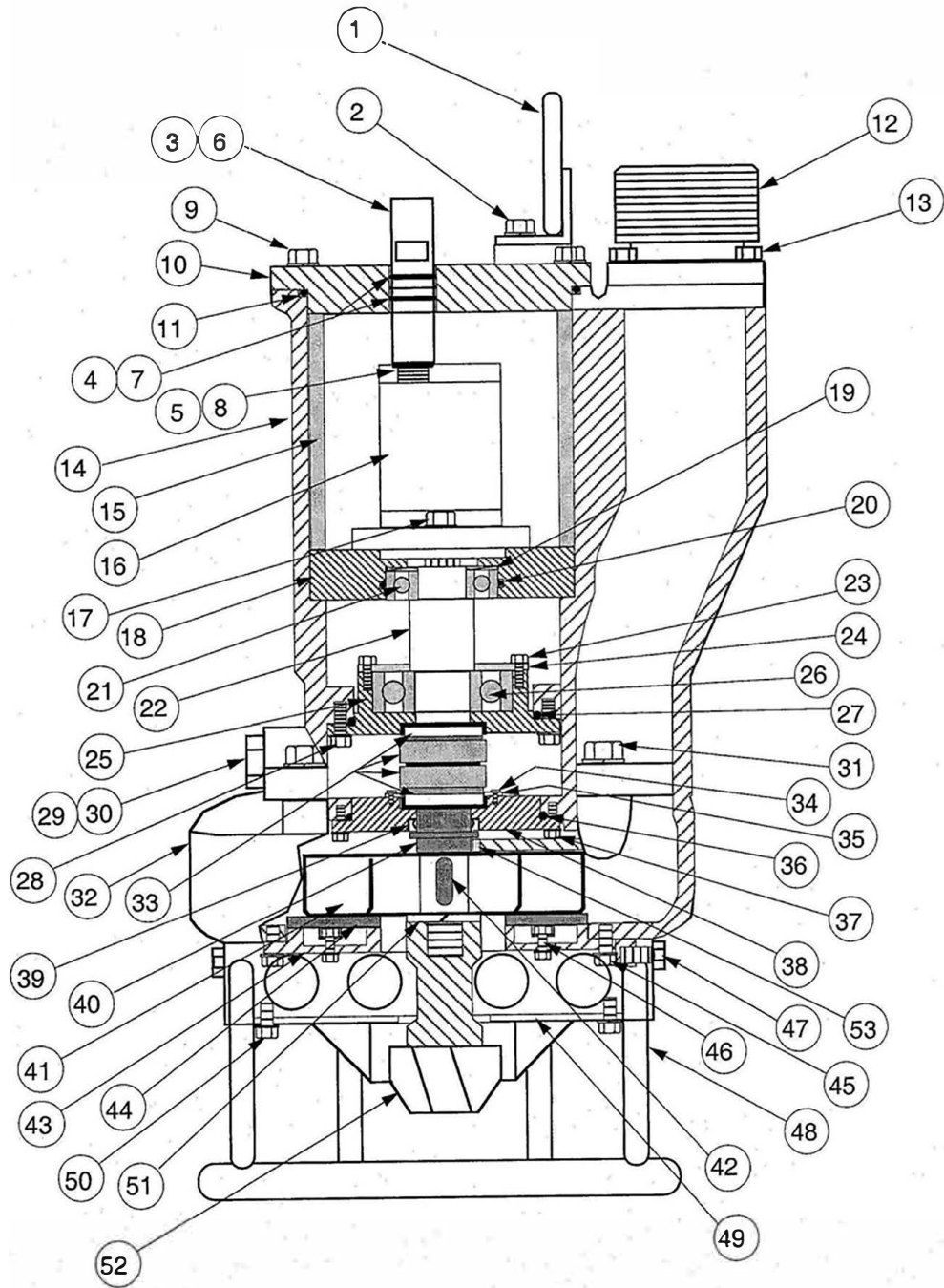
HYD6-SERIES

	Pump Model	KZN-HYD6	
Pos. No.	Part Description	Item #	QTY
09	Bolt-Top Cover	203243	6
12	6" NPT Male Coupling Flange	202587	1
13	Bolt-Discharge Flange	203260	4
14	Motor Housing	203082	1
19	Spring Washer	202362	1
21	Upper Ball Bearing	200968	1
22	Shaft	200470	1
23	Bolt-Bearing Retainer	203220	4
24	Lower Bearing Retainer	202277	1
25	Oil Chamber	202371	1
26	Lower Ball Bearing	200964	1
27	Upper Lip Seal	202252	1
28	Bolt-Oil Housing	203260	8
29	Bolt-Oil Inspection	203261	1
31	Bolt -Pump Housing	203260	8
32	Pump Housing	202203	1
32	Pump Housing Hardened (optional)	202204	1
33	Mech. Seals-set	200433	1
34	Screw-Seal Retainer	203214	4
35	Mech. Seal Retainer	202272	1
37	Bolt-Oil Chamber Cover	203229	4
38	Oil Chamber Cover	202227	1
39	Lip Seal	202251	1
40	Shaft Sleeve	203072	1
41	Impeller	202972	1
42	Impeller Key	202147	1
43	Suction Cover	202874	1
44	Wear Plate	202029	1
45	Bolt-Suction Cover	203236	4
46	Bolt-Wear Plate	203253	4
47	Bolt-Strainer/Stand	203258	4
48	Strainer Stand	201981	1
50-16	Bolt-Stator Locking	203260	1
51	Lock Washer	202918	1
52	Agitator	202984	1
53	Pump Housing Sleeve	202183	1
	O-Ring Kit-Buna N	202656	1

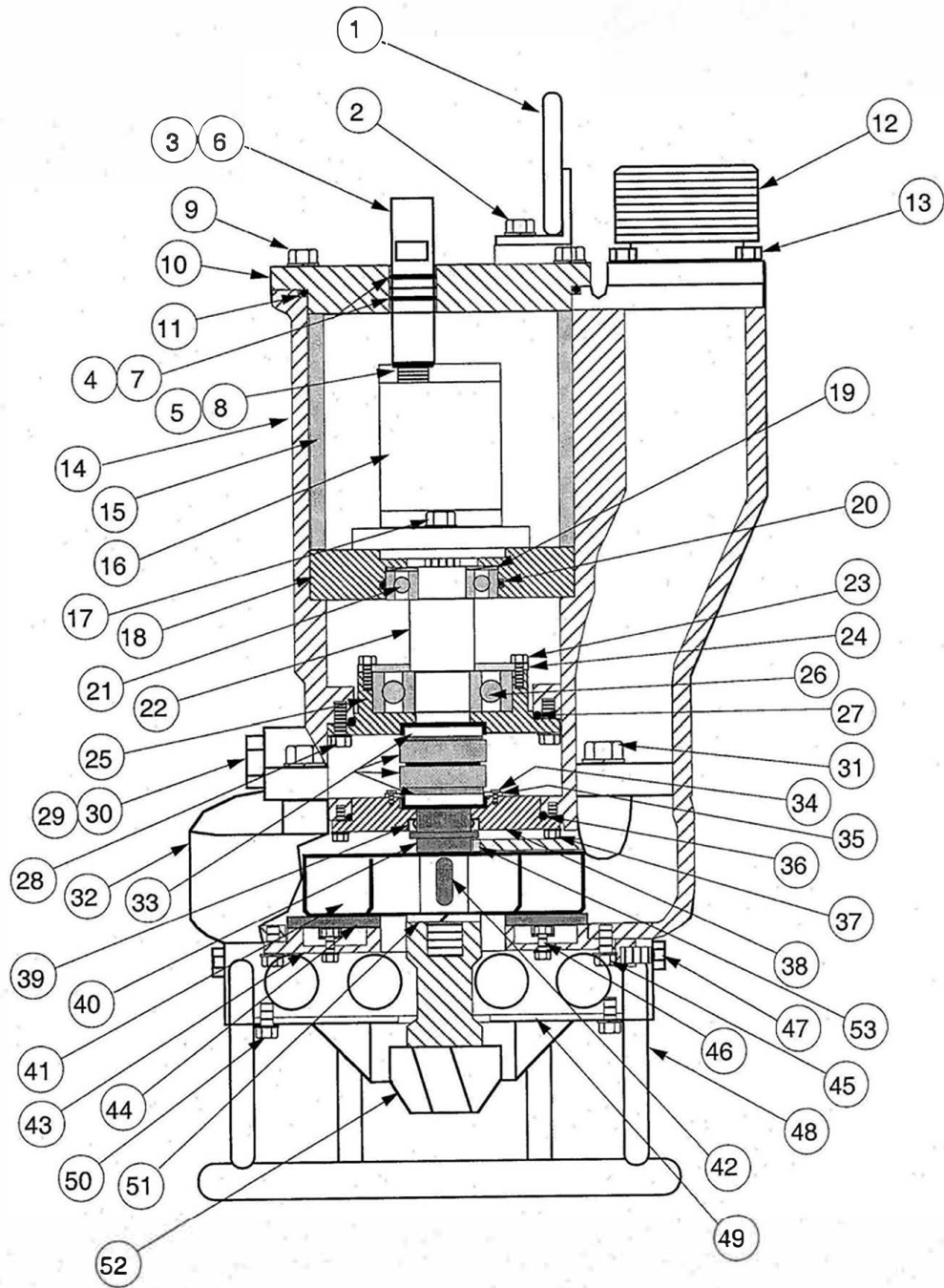
HYD6-SERIES

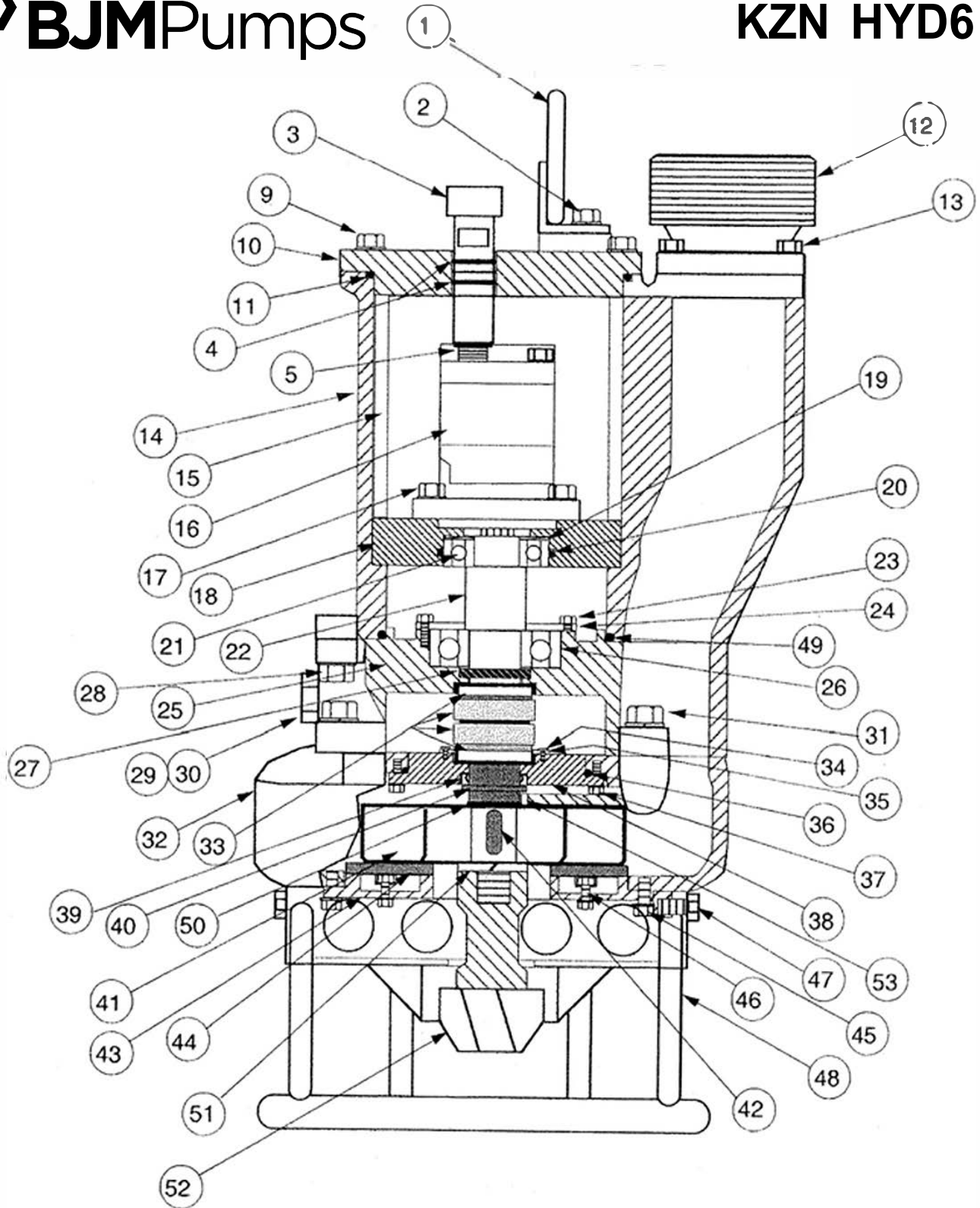
	Pump Model	KZN-HYD6	
Pos. No.	Part Description	Item #	QTY
	HYDRA-TECH PARTS		
01	Lifting Bracket	7100	1
02	Hex Bolt SS 1/2" x 1-1/4"	155	2
03	Oil Pipe w/ SAE O ring port	9936A	2
04	O-ring 219	8641	4
05	O-ring 916	8642	2
10	Top Cover HYD6	9930	1
11	O-ring top cover	8643	1
15	Spacer Ring Blank HYD6	8646	1
16	Hydraulic Motor	252	1
17	Hex Bolt SS 1/2" x 1-1/4"	155	4
18	Motor Support Plate HYD6	8647	1
54	Pig Tail Hose Assy (HP)	146	2
56	1" QD Coupler MALE	182	1
57	1" QD Coupler - F wing nut	184	1

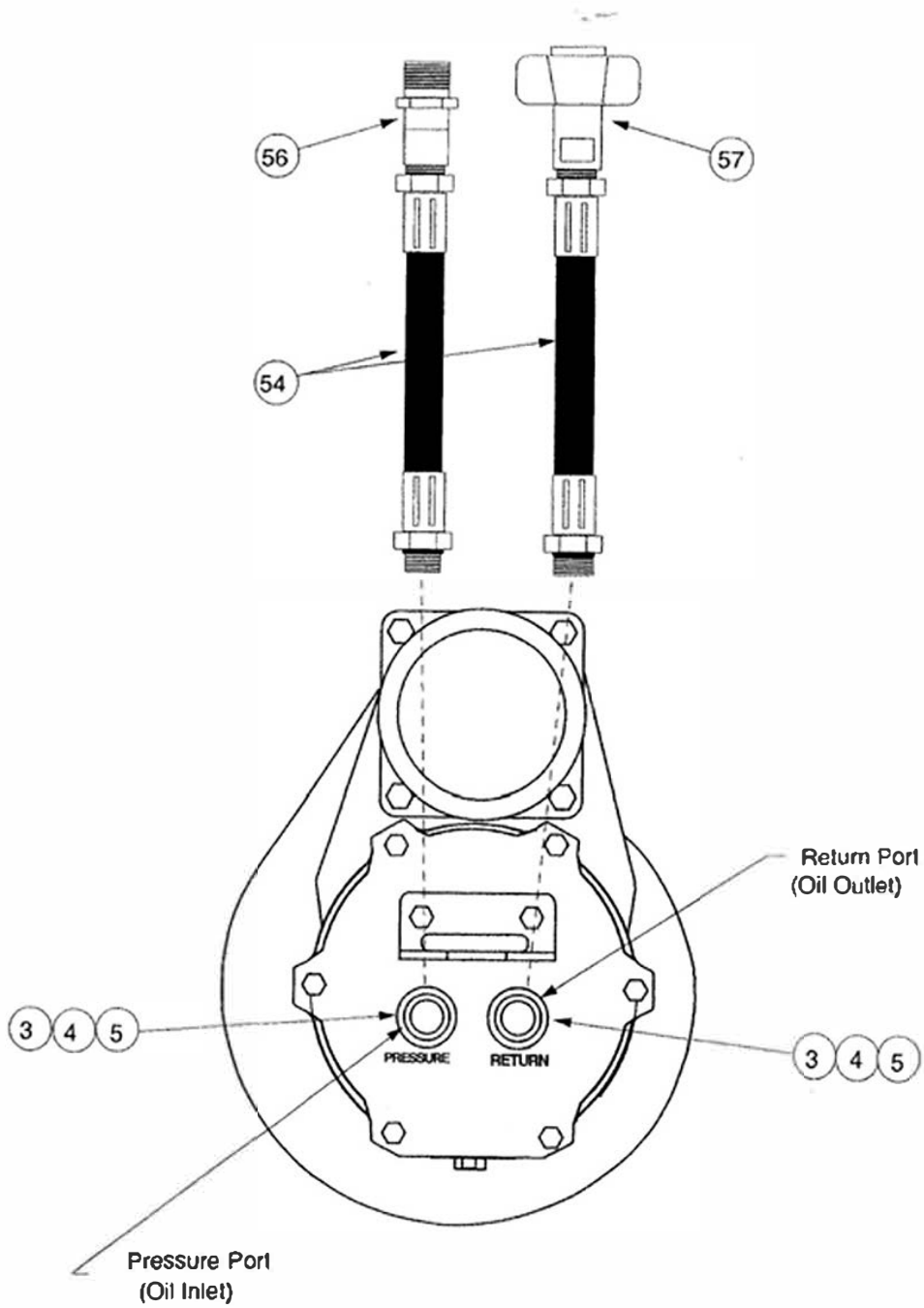
? NB' < M8'



?NB' < M8 (







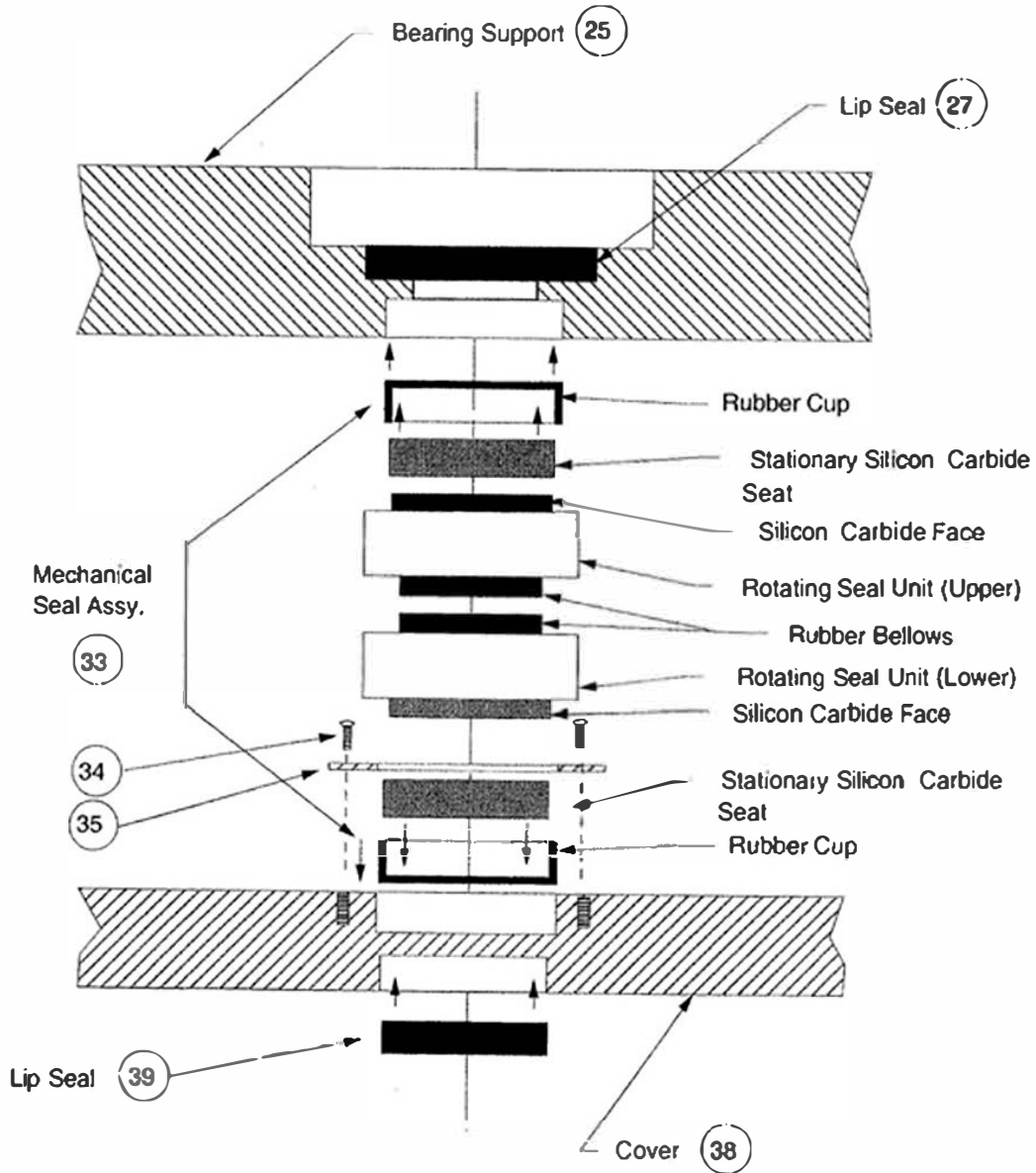


Fig. A

Seal Arrangement KZN HYD Series Pump