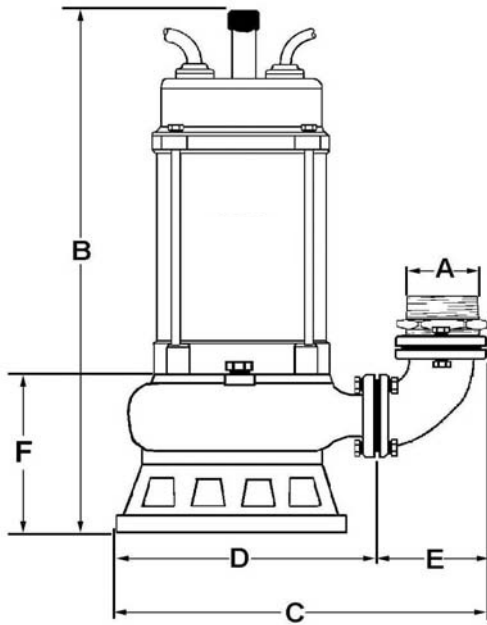
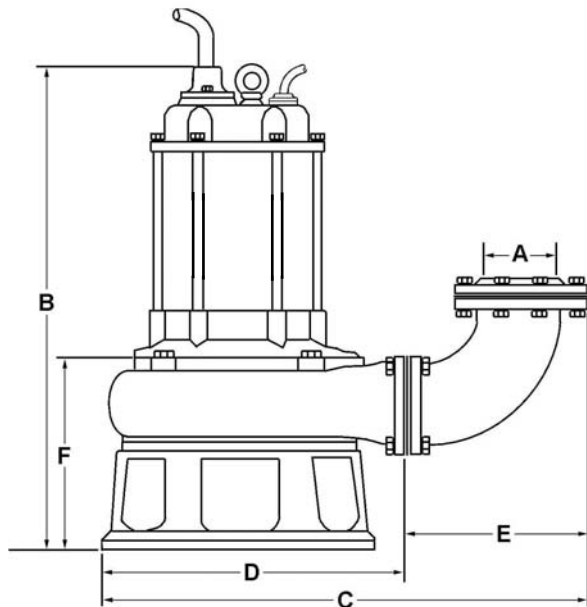


## SKF SERIES



MODEL	A	B	C	D	E	F
SK1500C-F	3.0"	21.25"	14.75"	9.5"	5.25"	5.75"
SK08C-F	2.0"	21.25"	13.5"	8.5"	5.0"	5.25"
SK15C-F	3.0"	20.5"	14.75"	9.5"	5.25"	5.75"
SK22C-F	3.0"	21.75"	15.25"	10.0"	5.25"	6.0"
SK37C-F	4.0"	22.5"	15.25"	10.0"	5.25"	7.3"



MODEL	A	B	C	D	E	F
SK55C-F	4.0"	29.5"	29.5"	18.5"	11.0"	12.5"
SK75C-F	4.0"	31.15"	29.5"	18.5"	11.0"	12.5"
SK110C-F	6.0"	35.6"	35.15"	22.5"	13.0"	17.5"
SK150C-F	6.0"	37.6"	35.15"	22.5"	13.0"	17.5"