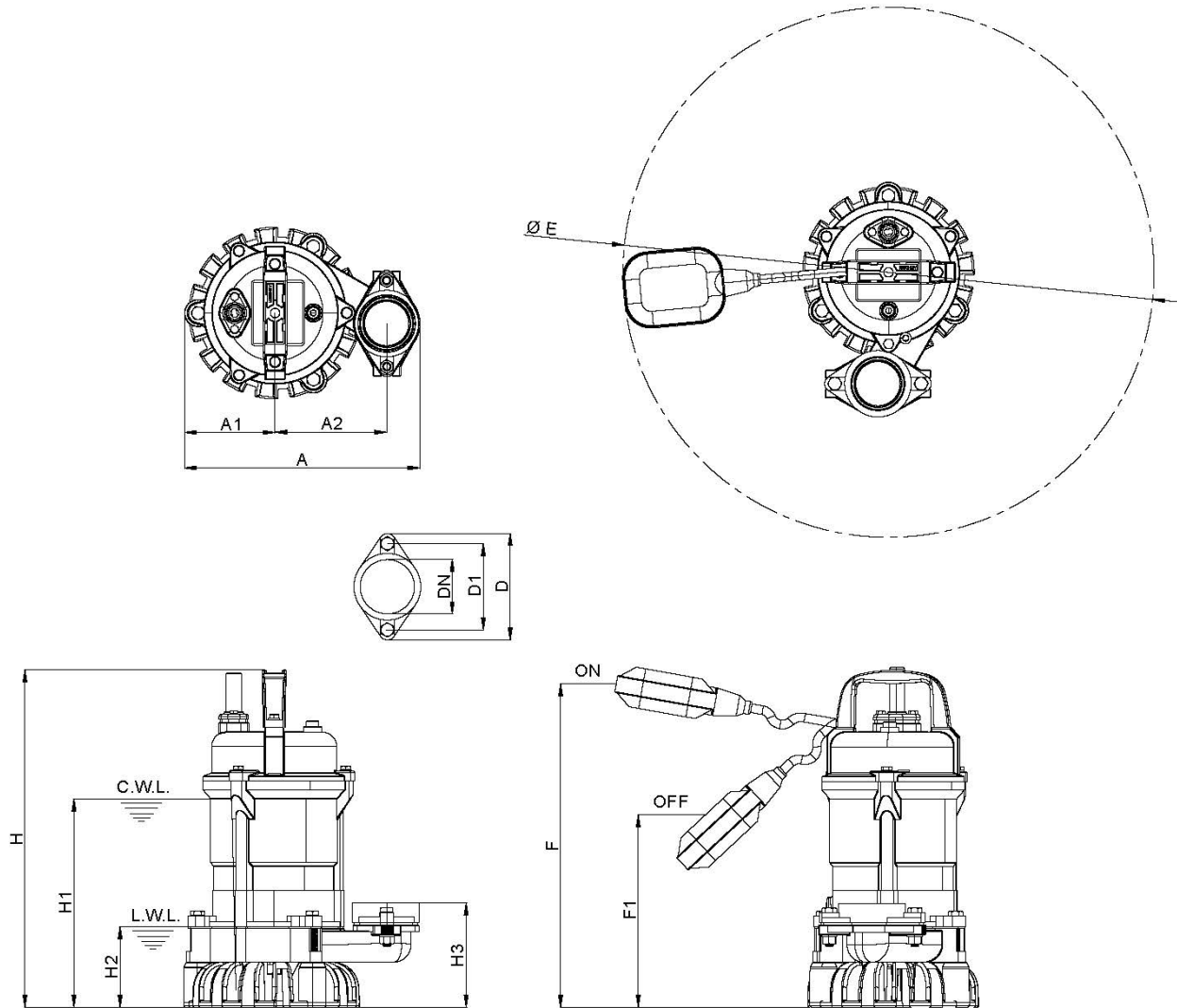


*A designates pump with float



DIMENSIONS - INCH

WEIGHT: lb

MODEL	A	A1	A2	D	D1	DN	E	F	F1	H	H1	H2	H3	WT
AHS-05	9.57	3.70	4.61	4.33	3.54	2	15.75	15.75	7.87	13.86	7.87	3.31	4.33	26.4

C.W.L.:Continuous Running Water Level

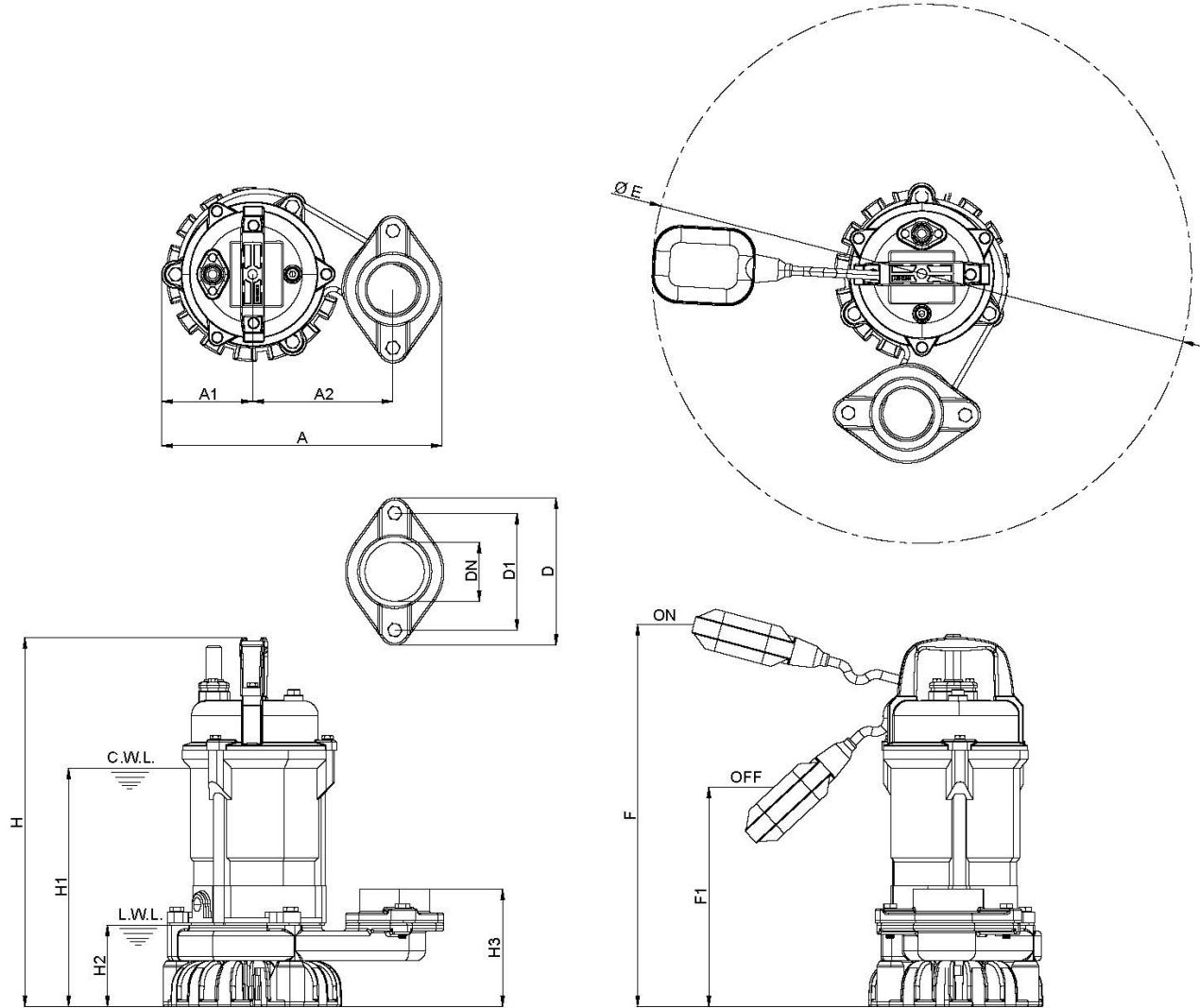
WT: Pump Weight

L.W.L.:Lowest Running Water Level

Specifications subject to change without notice

Industrial Flow Solutions Operating, LLC • 104 John W Murphy Drive, New Haven, CT 06513, USA • 860-399-5937 • www.flowsolutions.com

*A designates pump with float



DIMENSIONS - INCH

WEIGHT: lb

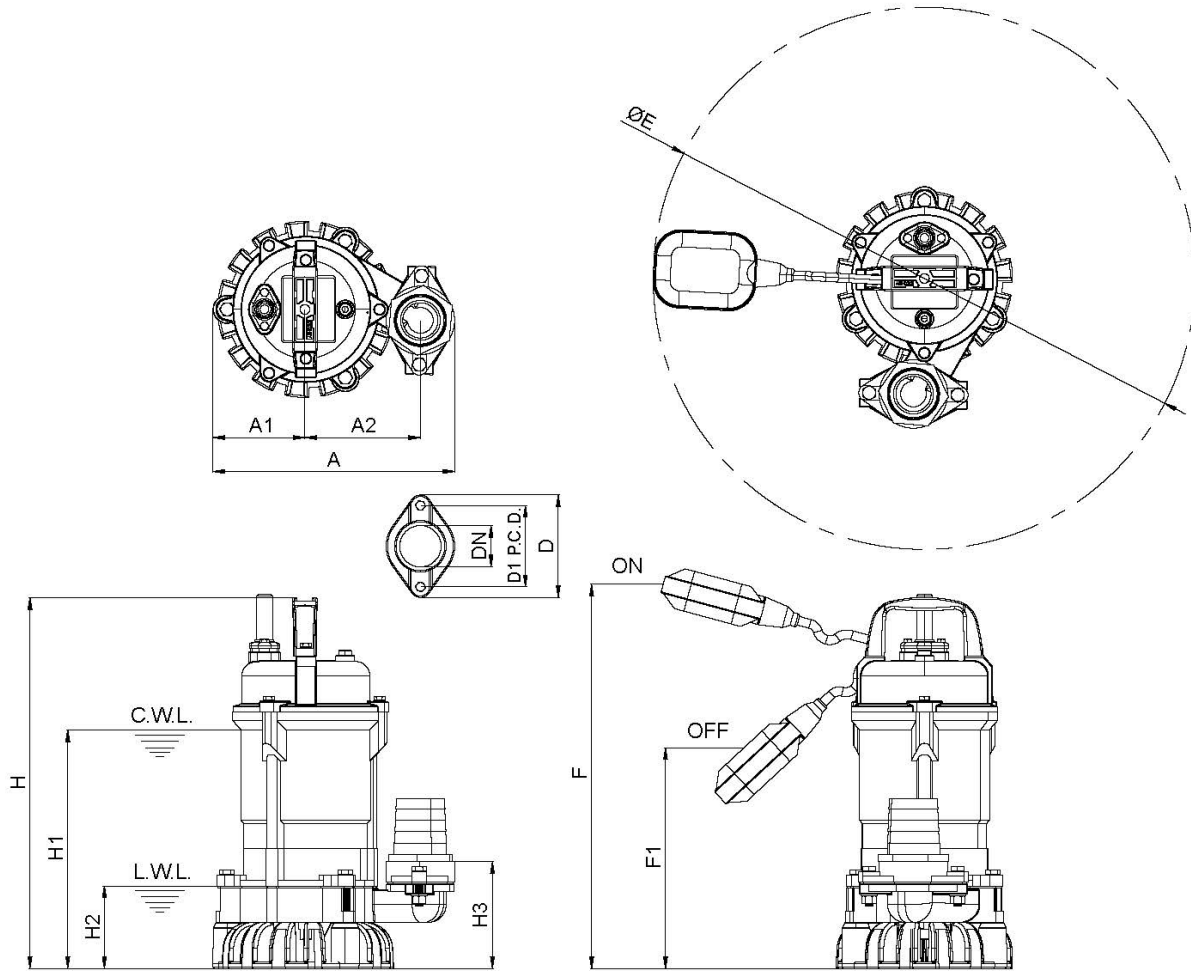
MODEL	A	A1	A2	D	D1	DN	E	F	F1	H	H1	H2	H3	WT
AHS-10	10.98	3.70	5.24	5.91	4.72	2	15.75	16.73	8.86	14.84	8.86	3.31	4.76	33
AHS-10	10.98	3.70	5.24	5.91	4.72	3	15.75	16.73	8.86	14.84	8.86	3.31	4.76	33

C.W.L.:Continuous Running Water Level

WT: Pump Weight

L.W.L.:Lowest Running Water Level

*A designates pump with float



DIMENSIONS - INCH

WEIGHT: lb

MODEL	A	A1	A2	D	D1	DN	E	F	F1	H	H1	H2	H3	WT
AHS-10HH	9.57	3.70	4.61	4.33	3.54	2	15.75	16.73	8.86	14.84	9.57	3.31	4.33	33.00

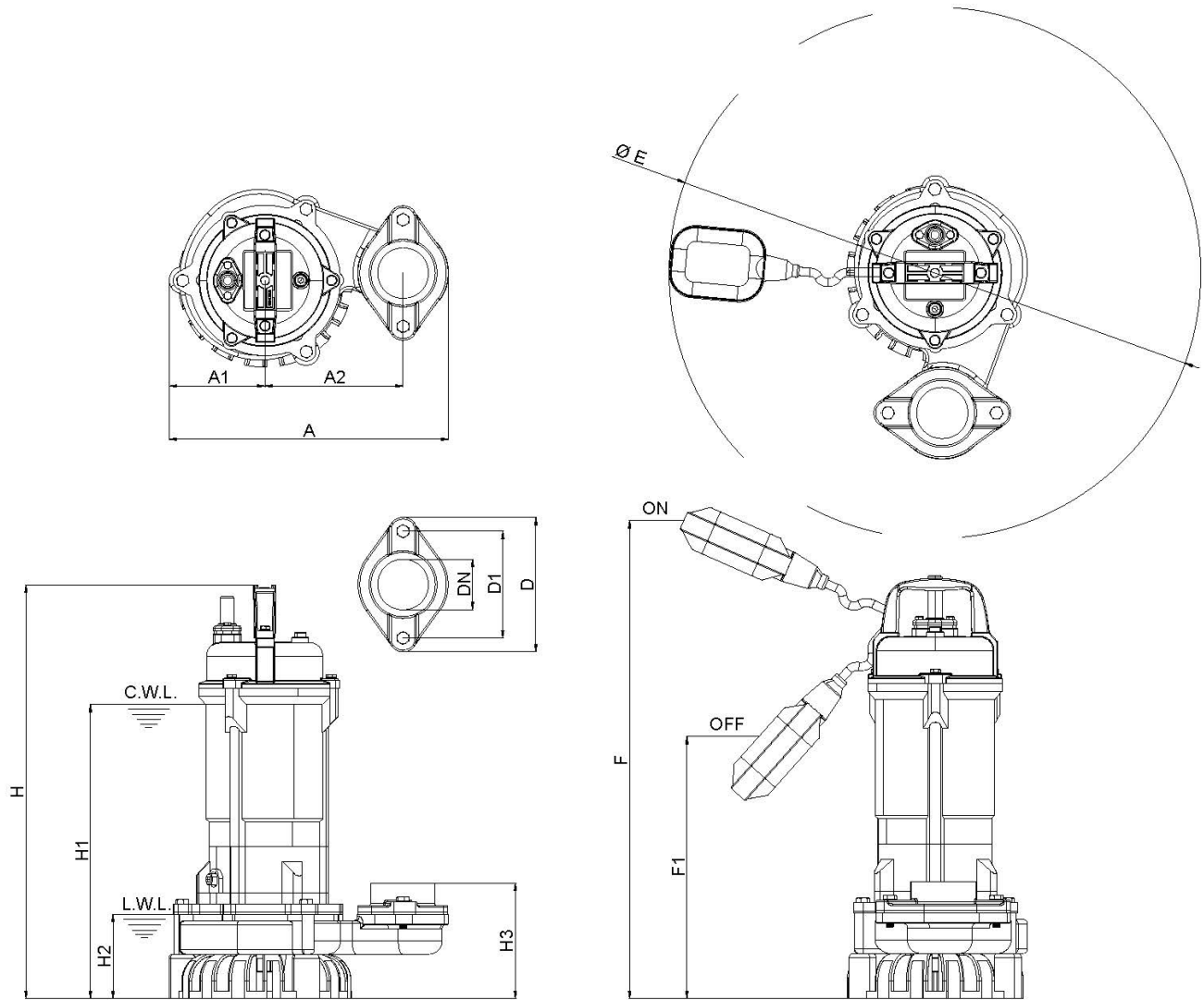
C.W.L.:Continuous Running Water Level

WT: Pump Weight

L.W.L.:Lowest Running Water Level

Specifications subject to change without notice

*A designates pump with float



DIMENSIONS - INCH

WEIGHT: lb

MODEL	A	A1	A2	D	D1	DN	E	F	F1	H	H1	H2	H3	WT
AHS-25HH	12.32	4.21	6.10	5.91	4.72	2	15.75	19.45	11.57	18.27	12.13	3.70	5.12	41.8
AHS-25HH	12.32	4.21	6.10	5.91	4.72	3	15.75	19.45	11.57	18.27	12.13	3.70	5.12	41.8

C.W.L.:Continuous Running Water Level

WT: Pump Weight

L.W.L.:Lowest Running Water Level