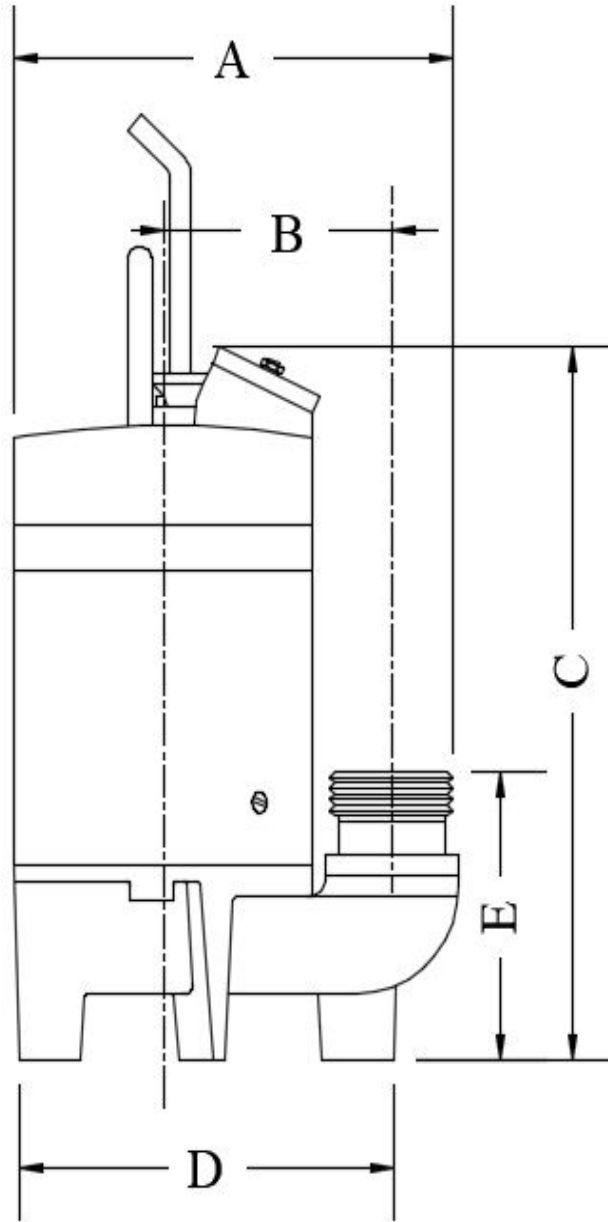
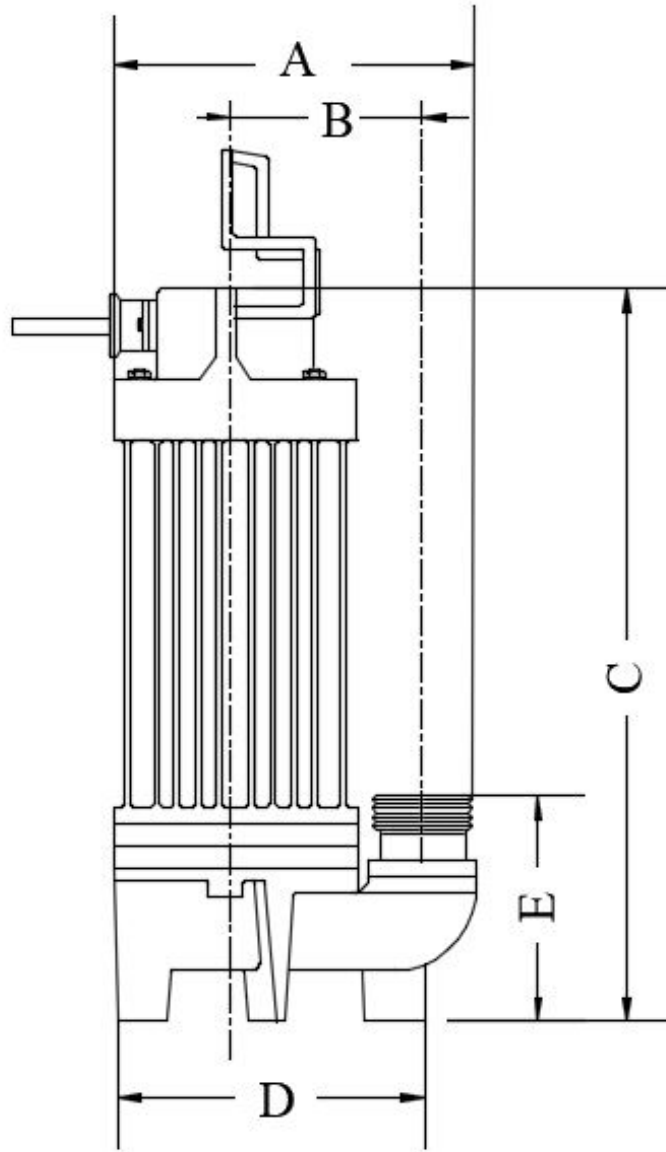


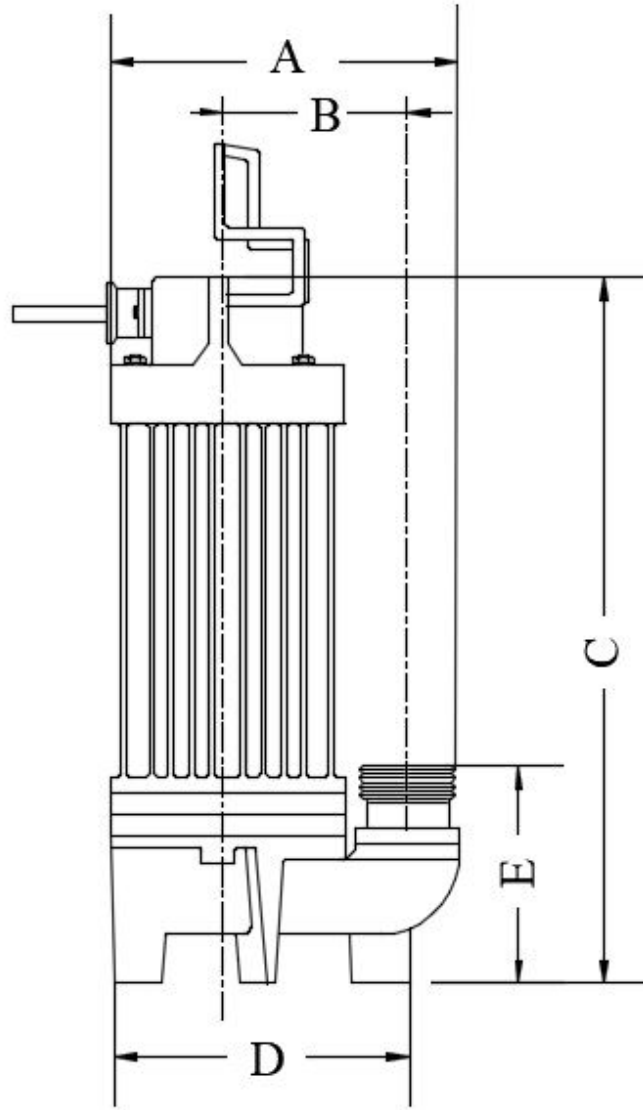
Discharge Size	A	B	C	D	E
3" NPT	334mm[13.15in]	170mm[6.693in]	558mm[21.969in]	Ø277mm[10.906in]	241.50mm[9.508in]



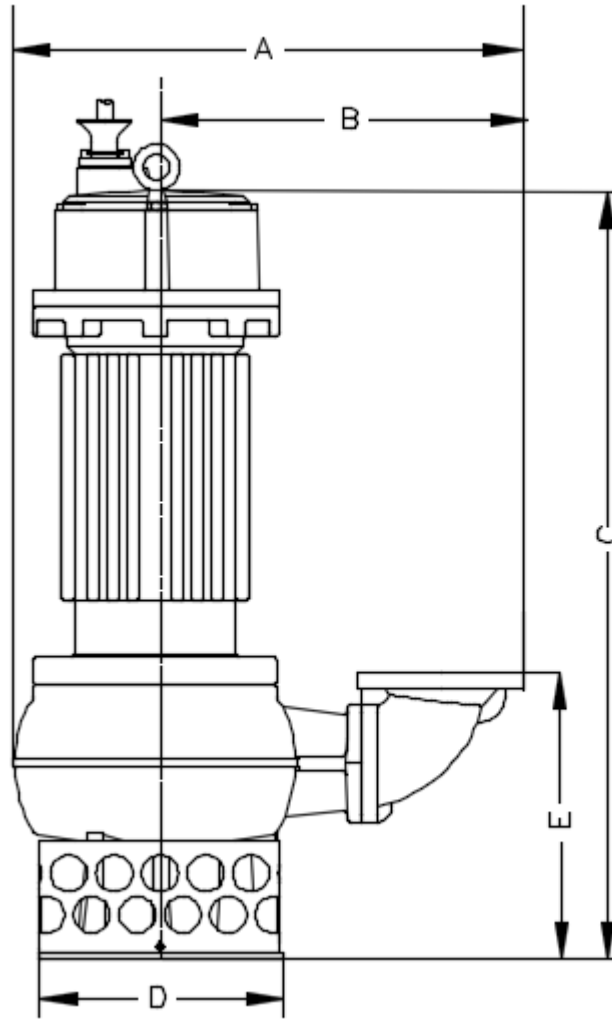
Discharge Size	A	B	C	D	E
3" NPT	335mm[13.189in]	170mm[6.693in]	603mm[23.74in]	Ø271mm[10.669in]	241.50mm[9.508in]



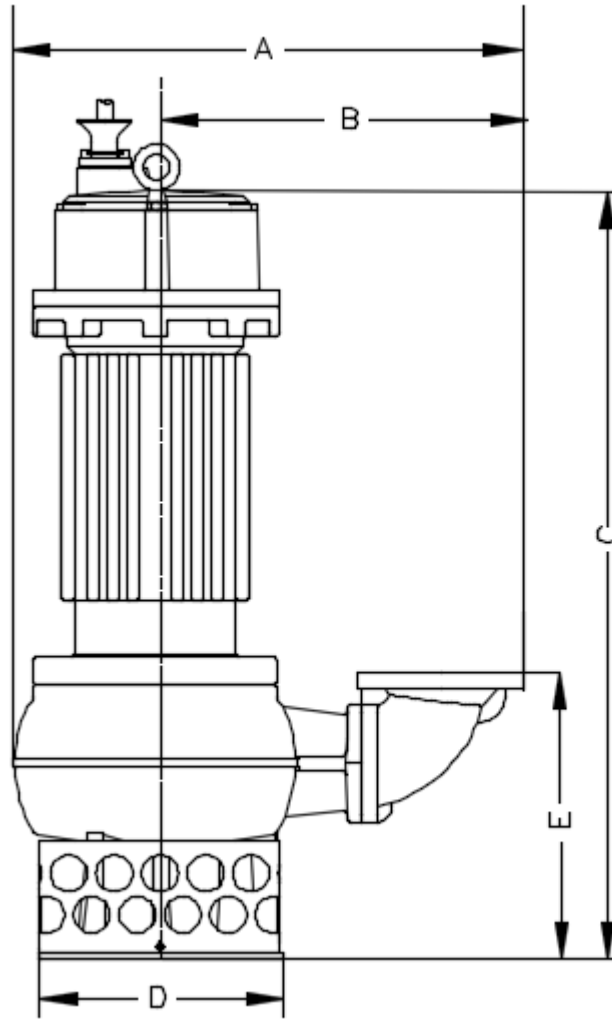
Discharge Size	A	B	C	D	E
3" NPT	323.5mm[12.736in]	170mm[6.693in]	690mm[27.165in]	270.5mm[10.65in]	252mm[9.921in]



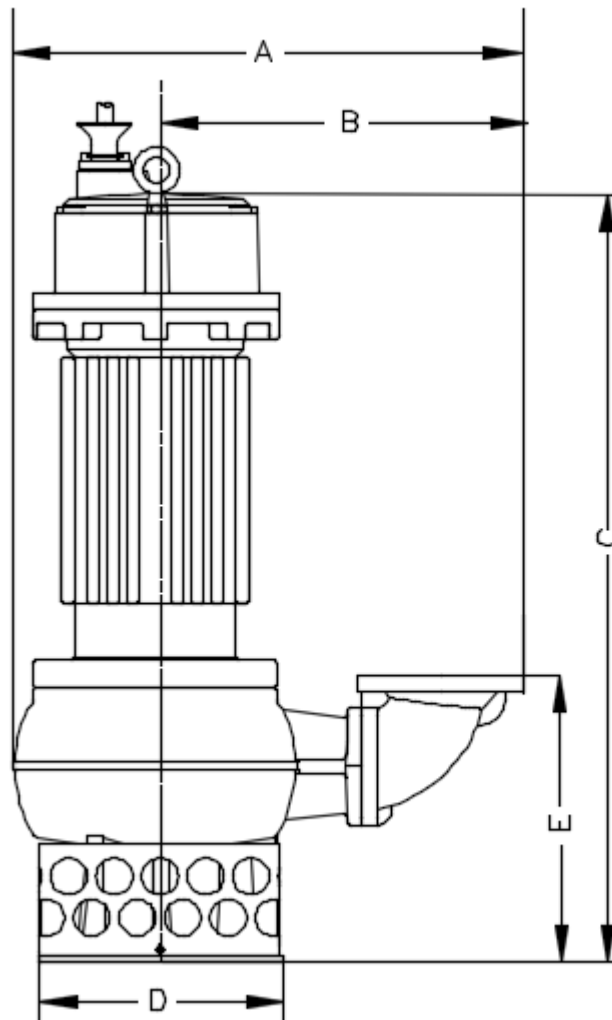
Discharge Size	A	B	C	D	E
3" NPT	323.5mm[12.736in]	170mm[6.693in]	690mm[27.165in]	270.5mm[10.650in]	252mm[9.921in]



Discharge	A	B	C	D	E
4" ANSI Class 125 FF	760mm[29.921in]	452mm[17.795in]	948mm[37.322in]	332mm[13.07in]	430mm[16.929in]



Discharge	A	B	C	D	E
4" ANSI Class 125 FF	760mm[29.921in]	452mm[17.795in]	948mm[37.322in]	332mm[13.07in]	430mm[16.929in]

**DIMENSIONS****Mine Trash Vortex Pumps P70CE-TS4P****Dwg:** DS-A23-016 **Rev:** 1 **Date:** 06/16

Discharge	A	B	C	D	E
4" ANSI Class 125 FF	760mm[29.921in]	452mm[17.795in]	1053mm[41.457in]	332mm[13.07in]	430mm[16.929in]

Specifications subject to change without notice

Industrial Flow Solutions Operating, LLC • 104 John W Murphy Drive, New Haven, CT 06513, USA • 860-399-5937 • www.flowsolutions.com