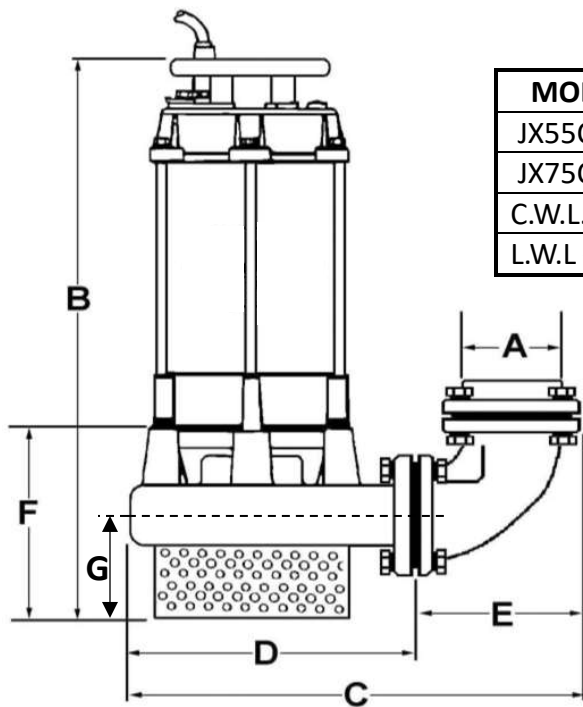


MODEL	A	B	C	F	G
JX15HSS	2.0"	16.4"	11.2"	5.25"	3.15"
JX22HSS	2.0"	18.5"	12.5"	6.25"	4.53"
JX37HSS	2.0"	19.7"	12.5"	6.25"	4.53"
C.W.L. – Continuous Running Water Level = B					
L.W.L. – Lowest Running Water Level = F					



MODEL	A	B	C	D	E	F	G
JX55CHSS	3.0"	25.5"	20.5"	13.25"	7.25"	8.0"	5.12"
JX75CHSS	4.0"	27.75"	20.5"	13.25"	7.25"	8.0"	5.12"
C.W.L. – Continuous Running Water Level = B							
L.W.L. – Lowest Running Water Level = F							