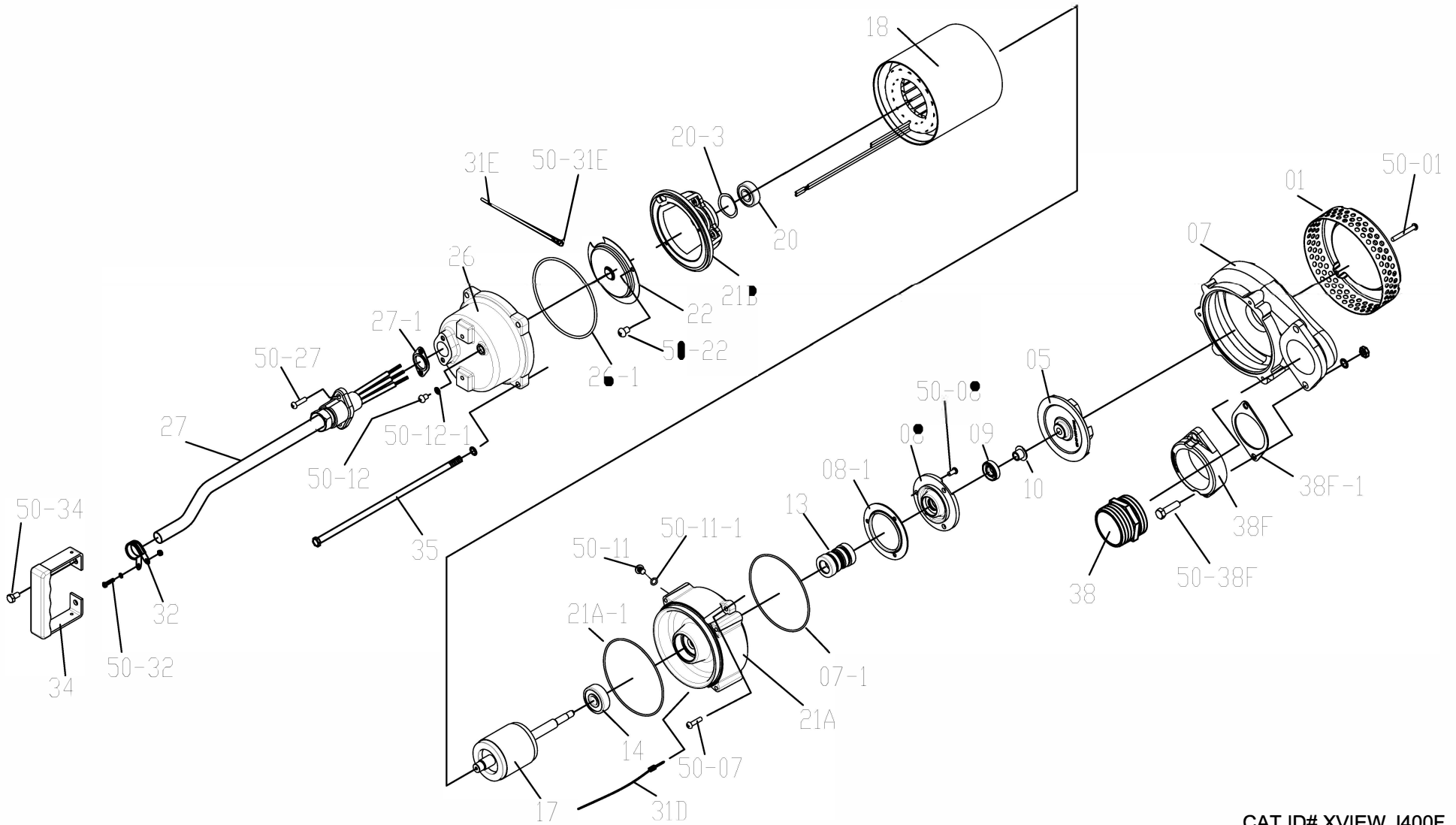


## JF HT SINGLE PHASE SERIES

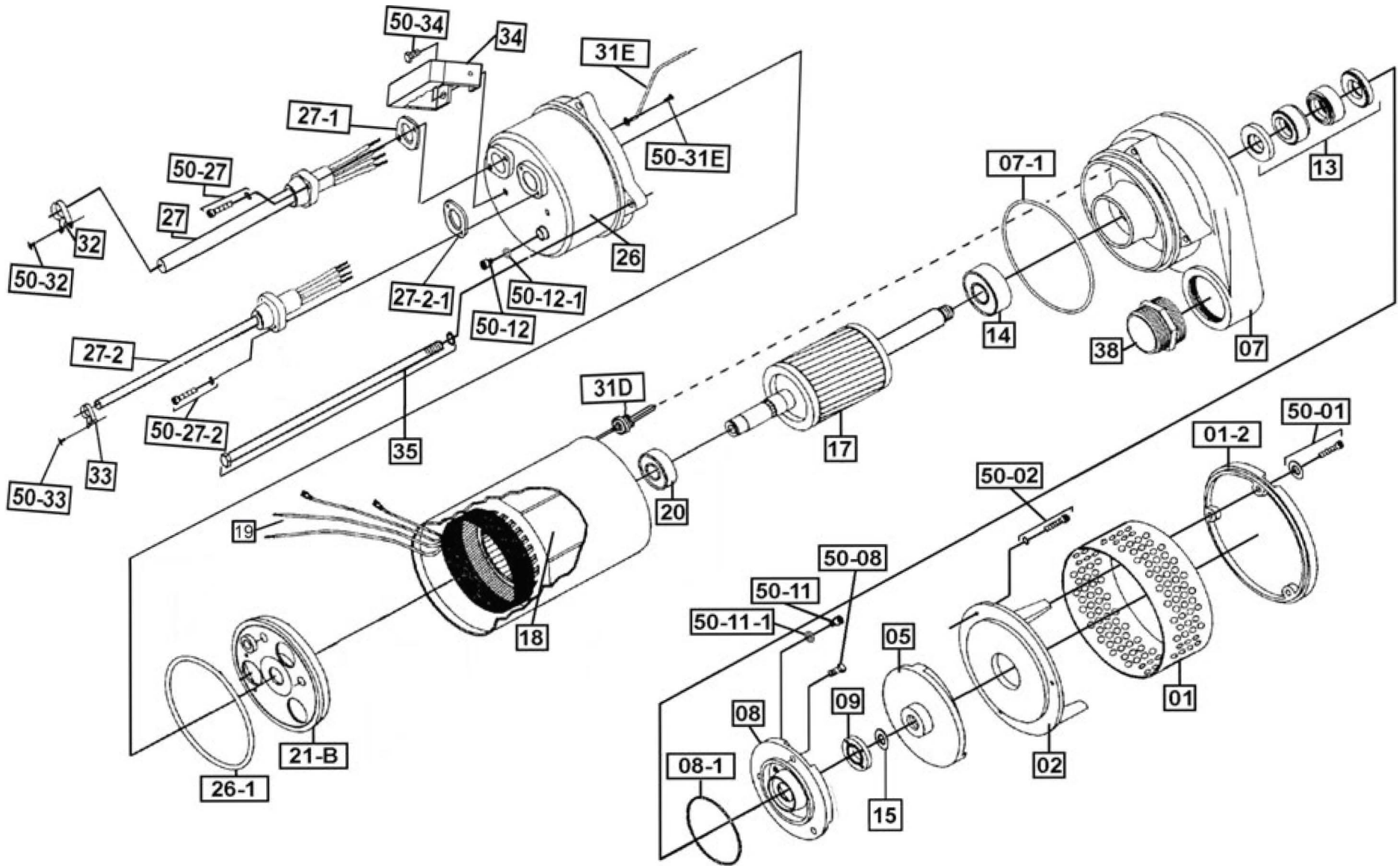
	Pump Model	J400F	J750F	J1500F	J1500HF
Pos. No.	Part Description	Item #	Item #	Item #	Item #
01	Strainer with Bottom Plate	201964	-	-	-
01	Strainer	-	201969	201969	201969
01-2	Bottom Plate	-	202007	202007	202007
02	Suction Cover	-	202026	202026	202026
05	Impeller	202055	202930	202062	202064
07	Pump Housing	202993	202163	202165	202163
07 -1	O-Ring (Kit Only)	Kit	Kit	Kit	Kit
08	Oil Chamber Cover	202207	202211	202211	202211
08 -1	O-Ring (Kit Only)	Kit	Kit	Kit	Kit
09	Lip Seal FKM	202230	202233	202233	202233
10	Shaft Sleeve	202258	-	-	-
13	Mechanical Seal FKM	202260	204240	204240	204240
14	Lower Ball Bearing	200493	200958	200958	200958
15	Impeller Shim Kit (Required)	-	200481	200481	200480
17	Rotor w/ Shaft 115/230V, 1PH	202302	204060	204109	204109
18	Stator w/Casing, 115V, 1PH (High-Temp)	201032	201036	-	-
18	Stator w/Casing, 230V, 1PH (High-Temp)	201033	201037	201040	201040
19	Wire Connection Kit*	204204	204211	204211	204211
20	Upper Ball Bearing	200957	200967	200967	200967
21A	Oil Chamber	202796	-	-	-
21A-1	O-Ring (Kit Only)	Kit	-	-	-
21B	Motor Cover	202365	202368	202368	202368
22	Cover Plate Upper	202380	-	-	-
26	Pump Top Cover	205327	202433	202433	202433
26-1	O-Ring (Kit Only)	Kit	Kit	Kit	Kit
27	Power Cable w/ Gland-115V, 1PH (High-Temp)	204456	204454	-	-
27	Power Cable w/ Gland-230V, 1PH (High-Temp)	204456	204456	204454	204454
27-1	O-Ring (Kit Only)	Kit	Kit	Kit	Kit
27-2	Seal Minder/Temp. Sensor Cord (High Temp)	201742	204455	204455	204455
27-2-1	O-Ring (Kit Only)	-	Kit	Kit	Kit
31D	Seal Minder Probe	202409	202409	202409	202409
31E	Ground Wire w/Ring Term.	203145	203145	203145	203145
32	Power Cord Line Clip / Strain Relief	203161	203161	203161	203161
33	Seal Minder Cable Line Clip	-	203163	203163	203163
34	Handle	202517	202517	202517	202517
35	Holding Rods	202665	202666	202668	202668
38	Discharge Nipple	202531	202531	202534	202531
38F	Discharge Flange	202562	-	-	-
38F-1	Gasket -Discharge Flange - FKM	203207	-	-	-
50-01	Bolt - Strainer/Stand	202694	203238	203238	203238
50-02	Screw	-	203216	203216	203216
50-07	Bolt - Suction Cover	203216	-	-	-
50-08	Screw	203215	203219	203219	203219
50-11	Screw	203218	203218	203218	203218
50-11-1	O-Ring (Kit Only)	Kit	Kit	Kit	Kit
50-12	Screw	203218	203218	203218	203218
50-12-1	O-Ring (Kit Only)	Kit	Kit	Kit	Kit
50-22	Screw	202692	-	-	-
50-27	Screw	203216	203216	203216	203216
50-27-2	Screw for Seal Minder Cable	-	203216	203216	203216
50-31E	Screw	202692	202692	202692	202692
50-32	Screw	203214	203214	203214	203214
50-33	Screw	-	203214	203214	203214
50-34	Screw	203219	203219	203219	203219
50-38F	Bolt - Discharge Flange	203230	-	-	-
<b>O-Ring Kit-FKM</b>		202626	202631	202631	202631
<b>* "F" Series High Temperature Pumps Only</b>					

# J400F

HIGH TEMPERATURE



CAT ID# XVIEW J400F



## JF HIGH TEMP SERIES

	Pump Model	J08F	J15F	J15HF	J22F	J22HF	J37F	J37HF	J55CF	J55CHF	J75CF	J75CHF
Pos. No.	Part Description	Item #	Item #	Item #	Item #	Item #	Item #	Item #	Item #	Item #	Item #	Item #
01	Strainer with Bottom Plate	-	-	-	201973	201973	201973	201973	201976	201976	201976	201976
01	Strainer	201969	201969	201969	-	-	-	-	-	-	-	-
01-2	Bottom Plate	202007	202007	202007	-	-	-	-	-	-	-	-
02	Suction Cover	202026	202026	202026	202009	202011	202009	202011	202031	202032	202031	202032
03	Impeller Nut	202894	202894	202894	202894	202894	202894	202894	202895	202895	202895	202895
04	Lock washer	202907	202907	202907	202907	202907	202907	202907	202904	202904	202904	202904
05	Impeller	202933	202067	202069	202937	202072	202074	202076	202078	202079	202082	202083
06	Impeller Key	202140	202140	202140	202140	202140	202140	202140	202141	202141	202141	202141
07	Pump Housing	202163	202165	202163	202167	202167	202167	202167	203007	203007	203007	203007
07 -1	O-Ring (Kit Only)	Kit	Kit	Kit	Kit	Kit	Kit	Kit	Kit	Kit	Kit	Kit
08	Oil Chamber Cover	202211	202211	202211	202211	202211	202211	202211	203043	203043	203043	203043
08 -1	O-Ring (Kit Only)	Kit	Kit	Kit	Kit	Kit	Kit	Kit	Kit	Kit	Kit	Kit
09	Lip Seal FKM	202233	202233	202233	202233	202233	202233	202233	203058	203058	203058	203058
09A	Double Lip Seal FKM	-	-	-	-	-	-	-	202240	202240	202240	202240
10	Shaft Sleeve	-	-	-	-	-	-	-	202256	202256	202256	202256
10-1	O-Ring (Kit Only)	-	-	-	-	-	-	-	Kit	Kit	Kit	Kit
10-2	O-Ring (Kit Only)	-	-	-	-	-	-	-	Kit	Kit	Kit	Kit
13	Mechanical Seal FKM	204240	204240	204240	204240	204240	204240	204240	200304	200304	200304	200304
14	Lower Ball Bearing	200958	200958	200958	200959	200959	200959	200959	200960	200960	200961	200961
14-1	Lower Ball Bearing	-	-	-	-	-	-	-	200960	200960	200961	200961
14-2	Lower Bearing Retainer Clip	-	-	-	-	-	-	-	202279	202279	202279	202279
15	Impeller Shim Kit (Required)	200480	200480	200480	200480	200480	200480	200480	200479	200479	200479	200479
17	Rotor w/ Shaft, 3 PH	204015	204016	204016	204017	204017	204018	204018	204019	204019	204020	204020
18	Stator w/Casing, 208V, 3PH	200525	200529	200529	200533	200533	200537	200537	200666	200666	-	-
18	Stator w/Casing, 230/460V, 3PH	200547	200551	200551	200555	200555	200559	200559	200563	200563	200567	200567
18	Stator w/Casing, 575V, 3PH	200589	200593	200593	200597	200597	200601	200601	200606	200606	200610	200610
19	Wire Connection Kit*	204202	204202	204202	204203	204203	204203	204203	204203	204203	204203	204203
20	Upper Ball Bearing	200967	200967	200967	200958	200958	200958	200958	200959	200959	200959	200959
20-1	O-Ring (Kit Only)	-	-	-	-	-	-	-	Kit	Kit	Kit	Kit
21A	Oil Chamber	-	-	-	-	-	-	-	202178	202178	202169	202169
21A-1	O-Ring (Kit Only)	-	-	-	-	-	-	-	Kit	Kit	Kit	Kit
26	Pump Top Cover	202435	202435	202435	202445	202445	202445	202445	202439	202439	202439	202439
26-1	O-Ring (Kit Only)	Kit	Kit	Kit	Kit	Kit	Kit	Kit	Kit	Kit	Kit	Kit
27	Power Cable w/ Gland- 3PH (High-Temp)	204452	204452	204452	203776	203776	203776	203776	203776	203776	203776	203776
27-1	O-Ring (Kit Only)	Kit	Kit	Kit	Kit	Kit	Kit	Kit	Kit	Kit	Kit	Kit

## JF HIGH TEMP SERIES

	Pump Model	J08F	J15F	J15HF	J22F	J22HF	J37F	J37HF	J55CF	J55CHF	J75CF	J75CHF
Pos. No.	Part Description	Item #	Item #	Item #	Item #	Item #	Item #	Item #	Item #	Item #	Item #	Item #
27-2	Seal Minder®/Temp. Sensor Cord (High-Temp)	204453	204453	204453	204453	204453	204453	204453	204453	204453	204453	204453
27-2-1	O-Ring (Kit Only)	Kit	Kit	Kit	Kit	Kit	Kit	Kit	Kit	Kit	Kit	Kit
31D	Seal Minder® Probe	202409	202409	202409	203998	203998	203998	203998	204000	204000	204000	204000
31E	Ground Wire w/Ring Term.	203145	203145	203145	203145	203145	203145	203145	203145	203145	203145	203145
32	Power Cord Line Clip/Strain Relief	203161	203161	203161	202497	202497	202497	202497	202497	202497	202497	202497
33	Seal Minder® Cable Line Clip	203163	203163	203163	203163	203163	203163	203163	203163	203163	203163	203163
34	Handle	202517	202517	202517	202517	202517	202517	202517	203171	203171	203171	203171
35	Holding Rods	202669	202670	202670	202671	202671	202672	202672	202673	202673	202674	202674
38	Discharge Nipple	202531	202534	202531	202534	202818	202534	202531	-	-	-	-
38E	Discharge Elbow	-	-	-	-	-	-	-	202560	202560	202560	202560
38E-1	Gasket Discharge Elbow FKM	-	-	-	-	-	-	-	203211	203211	203211	203211
38F	Discharge Flange	-	-	-	202545	202543	202545	202543	202537	202538	202537	202537
38F	Discharge Connection 4" FNPT	-	-	-	202552	-	202552	-	-	-	-	-
38F-1	Gasket - Discharge Flange FKM	-	-	-	202660	202660	202660	202660	203211	203211	203211	203211
50-01	Bolt - Strainer/Stand	203238	203238	203238	203231	203231	203231	203231	203241	203241	203241	203241
50-02	Screw	203216	203216	203216	203228	203228	203228	203228	203229	203229	203229	203229
50-07	Screw	-	-	-	-	-	-	-	203229	203229	203229	203229
50-08	Screw	203219	203219	203219	203219	203219	203219	203219	203246	203246	203246	203246
50-11	Screw	203218	203218	203218	203218	203218	203218	203218	203218	203218	203218	203218
50-11-1	O-Ring (Kit Only)	Kit	Kit	Kit	Kit	Kit	Kit	Kit	Kit	Kit	Kit	Kit
50-12	Screw	203218	203218	203218	203218	203218	203218	203218	203218	203218	203218	203218
50-12-1	O-Ring (Kit Only)	Kit	Kit	Kit	Kit	Kit	Kit	Kit	Kit	Kit	Kit	Kit
50-14-2	Screw	-	-	-	-	-	-	-	203219	203219	203219	203219
50-26	Acorn Nut and Washer	-	-	-	-	-	-	-	-	-	-	-
50-27	Screw	203216	203216	203216	203246	203246	203246	203246	203246	203246	203246	203246
50-27-2	Screw for Seal Minder® Cable	203216	203216	203216	203216	203216	203216	203216	203216	203216	203216	203216
50-31E	Screw	202692	202692	202692	202692	202692	202692	202692	202692	202692	202692	202692
50-32	Screw	203214	203214	203214	-	-	-	-	-	-	-	-
50-33	Screw	203214	203214	203214	203214	203214	203214	203214	-	-	-	-
50-34	Screw	203219	203219	203219	203219	203219	203219	203219	-	-	-	-
50-34-1	Screw for Handle w/ Cable Chain	-	-	-	-	-	-	-	203228	203228	203228	203228
50-34-2	Screw for Handle	-	-	-	-	-	-	-	203288	203288	203288	203288
50-34-3	Lock Washer	-	-	-	-	-	-	-	202902	202902	202902	202902
50-38E	Bolt - Discharge Elbow	-	-	-	-	-	-	-	203287	203287	203287	203287
50-38F	Bolt - Discharge Flange	-	-	-	203253	203253	203253	203253	203287	203287	203287	203287
<b>O-Ring Kit-FKM</b>		202648	202648	202648	202643	202643	202643	202643	202645	202645	202645	202645

\* "F" Series High Temperature Pumps Only

