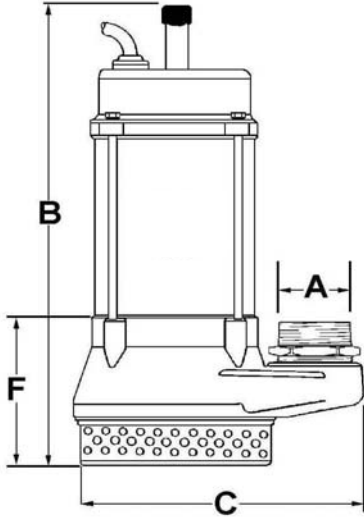
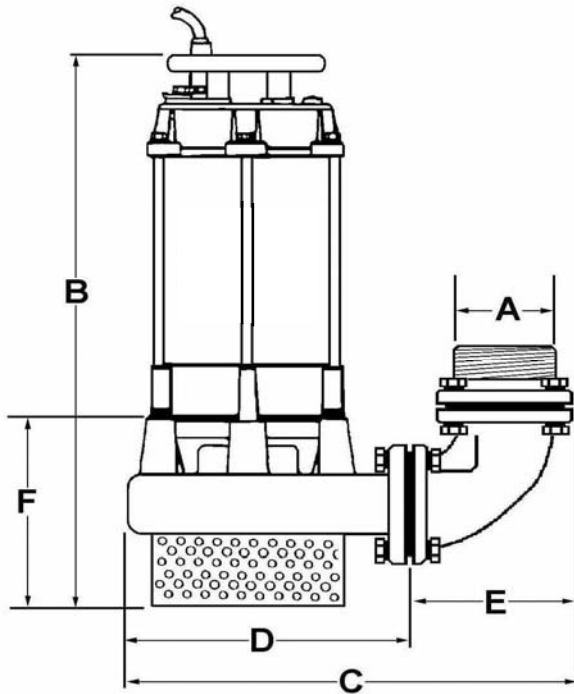


## JF & JHF SERIES



MODEL	A	B	C	F
J400-F	2.0"	15.7"	8.5"	4.75"
J750-F	2.0"	17.3"	11.2"	5.25"
J1500-F	3.0"	18.7"	12.5"	5.25"
J1500H-F	2.0"	18.7"	12.5"	5.25"
J08-F	2.0"	15.2"	11.2"	5.25"
J15-F	3.0"	16.4"	11.2"	5.25"
J15H-F	2.0"	16.4"	11.2"	5.25"
J22-F	3.0"	18.5"	12.5"	6.25"
J22H-F	2.0"	18.5"	12.5"	6.25"
J37-F	4.0"	19.7"	12.5"	6.25"
J37H-F	2.0"	19.7"	12.5"	6.25"



MODEL	A	B	C	D	E	F
J55C-F	4.0"	25.5"	20.5"	13.25"	7.25"	8.0"
J75C-F	4.0"	27.75"	20.5"	13.25"	7.25"	8.0"
J55CH-F	3.0"	25.5"	20.5"	13.25"	7.25"	8.0"
J75CH-F	4.0"	27.75"	20.5"	13.25"	7.25"	8.0"