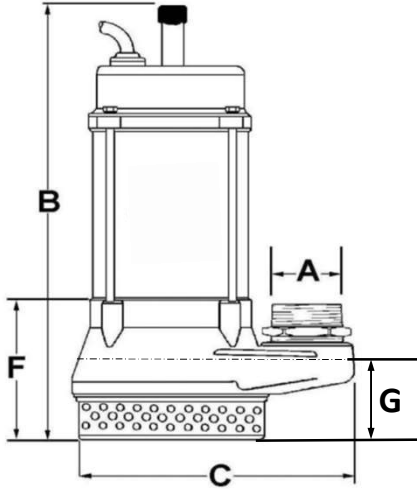
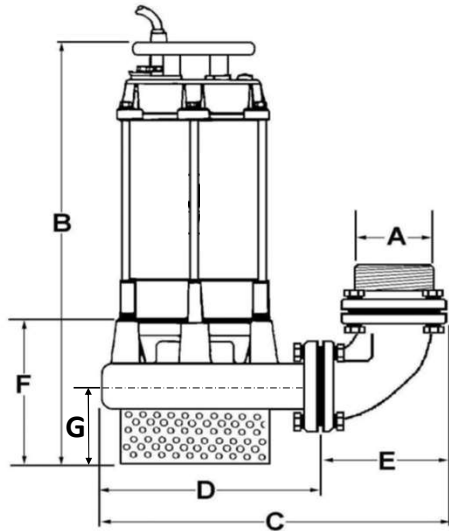


J & JH Series



MODEL	A	B	C	F	G
J400	2.0"	15.7"	8.5"	4.75"	2.56"
J750	2.0"	17.3"	11.2"	5.25"	3.74"
J1500	3.0"	18.7"	12.5"	5.25"	4.13"
J1500H	2.0"	18.7"	12.5"	5.25"	3.74"
J08	2.0"	15.2"	11.2"	5.25"	3.74"
J15	3.0"	16.4"	11.2"	5.25"	4.13"
J15H	2.0"	16.4"	11.2"	5.25"	3.74"
J22	3.0"	18.5"	12.5"	6.25"	5.31"
J22H	2.0"	18.5"	12.5"	6.25"	5.31"
J37	4.0"	19.7"	12.5"	6.25"	5.31"
J37H	2.0"	19.7"	12.5"	6.25"	5.31"

C.W.L.- Continuous Running Water Level= B
L.W.L.- Lowest Running Water Level= F



MODEL	A	B	C	D	E	F	G
J55C	4.0"	25.5"	20.5"	13.25"	7.25"	8.0"	5.51"
J75C	4.0"	27.75"	20.5"	13.25"	7.25"	8.0"	5.51"
J55CH	3.0"	25.5"	20.5"	13.25"	7.25"	8.0"	5.51"
J75CH	4.0"	27.75"	20.5"	13.25"	7.25"	8.0"	5.51"

C.W.L.- Continuous Running Water Level= B
L.W.L.- Lowest Running Water Level= F