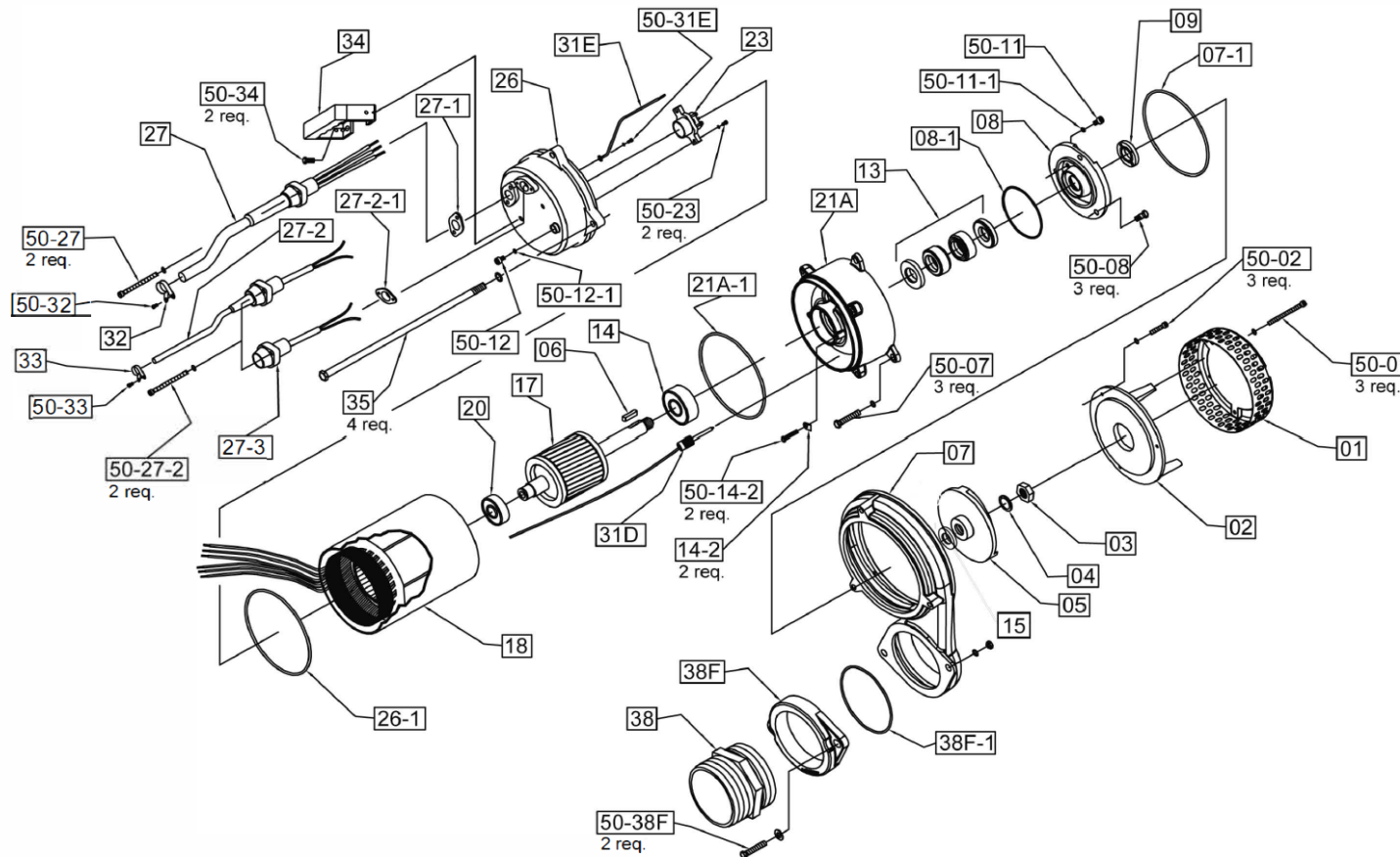




JX08SS, JX15SS (PRECISION CAST MODELS)



NOTE: Seal Minder (Pos#27-2, 33, 50-33) is an optional component. JX-Series pumps come with Seal Minder Cap only (Pos#27-3)

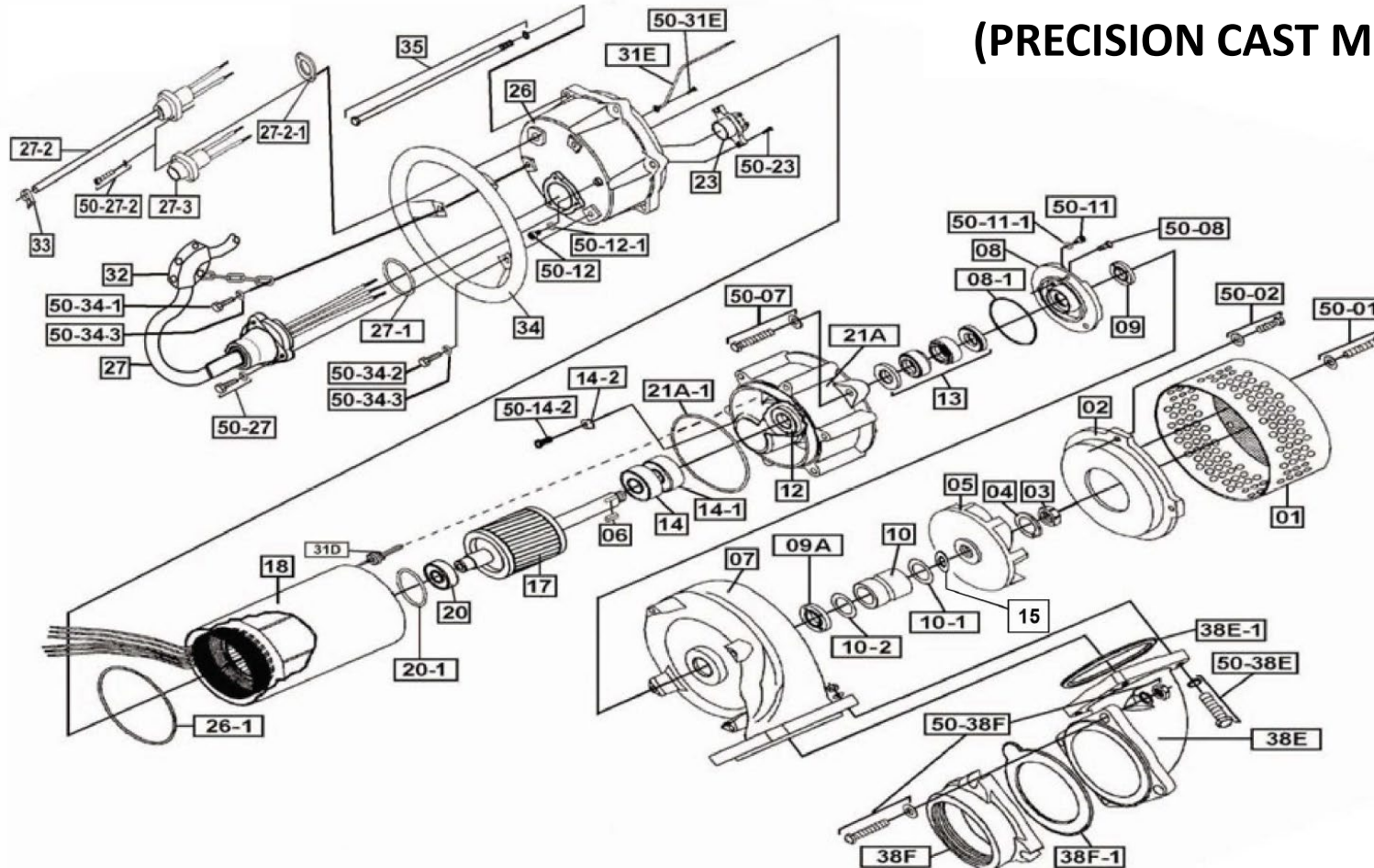
©2024 Industrial Flow Solutions Operating, LLC. All rights reserved.

Industrial Flow Solutions Operating, LLC • 104 John W Murphy Drive, New Haven, CT 06513, USA

(860) 631-3618 • www.flowsolutions.com



JX55CSS, JX75CSS (PRECISION CAST MODELS)



NOTE: Seal Minder (Pos#27-2, 33, 50-33) is an optional component. JX-Series pumps come with Seal Minder Cap only (Pos#27-3)

©2024 Industrial Flow Solutions Operating, LLC. All rights reserved.

Industrial Flow Solutions Operating, LLC • 104 John W Murphy Drive, New Haven, CT 06513, USA

(860) 631-3618 • www.flowsolutions.com



Pump Model

Pos	Part Description	JX400SS	JX750SS	JX08SS	JX15SS	JX22SS	JX37SS	JX55CSS	JX75CSS	JX150CSS	JX220CSS
01	Strainer with Bottom Plate	201965	201971	201971	201971	201974	201974	201977	201977	205191	205191
02	Suction Cover	-	202027	202027	202028	202010	202010	202034	202034	205192	205192
03	Impeller Nut	-	-	202894	202894	202894	202894	202895	202895	202897	202897
04	Lock washer	-	-	202907	202907	202907	202907	202904	202904	205203	205203
05	Impeller	202056	202060	202066	202068	202071	202075	202081	202085	205211	205218
06	Impeller Key	-	-	202140	202140	202140	202140	202141	202141	202142	202142
07	Pump Housing	202994	202164	202164	202166	202168	202168	202171	202171	205193	205193
07 -1	O-Ring (Kit Only)	Kit	Kit	Kit	Kit	Kit	Kit	Kit	Kit	-	-
08	Oil Chamber Cover	202208	202214	202214	202214	202219	202219	202216	202216	205194	205194
08 -1	O-Ring (Kit Only)	Kit	Kit	Kit	Kit	Kit	Kit	Kit	Kit	Kit	Kit
09	Lip Seal FKM	202230	202232	202232	202232	202235	202235	203058	203058	205201	205201
09	Lip Seal Buna-N (Optional)	202229	203051	203051	203051	202234	202234	203055	203055	-	-
09	Lip Seal EPDM (Optional)	203050	203052	203052	203052	203054	203054	203056	203056	205673	205673
09A	Double Lip Seal FKM	-	-	-	-	-	-	202240	202240	-	-
09A	Double Lip Seal Buna-N (Optional)	-	-	-	-	-	-	202249	202249	-	-
09A	Double Lip Seal EPDM (Optional)	-	-	-	-	-	-	203060	203060	-	-
09-2	Lip Seal FKM	-	-	-	-	-	-	-	-	205201	205201
09-2	Lip Seal Buna-N (Optional)	-	-	-	-	-	-	-	-	-	-
09-2	Lip Seal EPDM (Optional)	-	-	-	-	-	-	-	-	205673	205673
10	Shaft Sleeve	202258	-	-	-	-	-	202257	202257	205189	205189
12	Lip Seal for Lower Bearing, FKM	-	-	-	-	-	-	203057	203057	-	-
12	Lip Seal for Lower Bearing Buna-N (Optional)	-	-	-	-	-	-	202236	202236	-	-
12	Lip Seal for Lower Bearing EPDM (Optional)	-	-	-	-	-	-	204579	204579	-	-
13	Mechanical Seal FKM**	202260	204240	204240	204240	204243	204243	200304	200304	205329	205329
13	Mechanical Seal Buna-N	202259	200501	200501	200501	200302	200302	200305	200305	-	-
13	Mechanical Seal EPDM (Optional)	-	204242	204242	204242	204245	204245	200306	200306	206012	206012

©2024 Industrial Flow Solutions Operating, LLC. All rights reserved.

Industrial Flow Solutions Operating, LLC • 104 John W Murphy Drive, New Haven, CT 06513, USA

(860) 631-3618 • www.flowsolutions.com



Pos	Part Description	Pump Model									
		JX400SS	JX750SS	JX08SS	JX15SS	JX22SS	JX37SS	JX55CSS	JX75CSS	JX150SS	JX220SS
14	Lower Ball Bearing (Top)	200493	200958	200958	200958	200959	200959	200960	200961	200962	200962
14-1	Lower Ball Bearing (Bottom)	-	-	-	-	-	-	200960	200961	200495	200495
14-2	Lower Bearing Retainer Clip / Cover	-	202279	202279	202279	202279	202279	202279	202279	205196	205196
15	Impeller Shim Kit (Required)	-	200481	200480	200480	200480	200480	200479	200479	-	-
17	Rotor w/ Shaft 115/230V, 1PH	202303	203089	-	-	-	-	-	-	-	-
17	Rotor w/ Shaft, 3 PH	-	-	202308	202312	202316	202320	202344	202346	205212	205219
18	Stator w/Casing, 115V, 1HP	200510	200513	-	-	-	-	-	-	-	-
18	Stator w/Casing, 230V, 1PH	200522	200571	-	-	-	-	-	-	-	-
18	Stator w/Casing, 208V, 3PH	-	-	200526	200530	200534	200538	200667	-	-	-
18	Stator w/Casing, 230V/460V,3PH	-	-	200548	200552	200556	200560	200564	-	-	-
18	Stator w/Casing, 460V, 3PH	-	-	-	-	-	-	-	200568	205213	205220
18	Stator w/Casing, 575V, 3PH	-	-	200590	200594	200598	200602	200607	200611	205214	205221
19	Governor Switch w/Switch Plate	202359	202360	-	-	-	-	-	-	-	-
20	Upper Ball Bearing	200957	200967	200967	200967	200958	200958	200959	200959	200968	200968
20-1	O-Ring (Kit Only)	-	-	-	-	-	-	Kit	Kit	-	-
20-2	Washer, Wave	-	-	-	-	-	-	-	-	202361	202361
21A	Oil Chamber / Seal Chamber Housing	200497	202197	202197	202197	202198	202198	202179	202170	205198	205198
21A-1	O-Ring (Kit Only)	Kit	Kit	Kit	Kit	Kit	Kit	Kit	Kit	Kit	Kit
21B	Motor Cover	202365	202368	-	-	-	-	-	-	-	-
22	Cover Plate Upper	202380	-	-	-	-	-	-	-	-	-
23	Overload 115V, 1PH	-	202383	-	-	-	-	-	-	-	-
23	Overload 230V, 1PH	-	202395	-	-	-	-	-	-	-	-
23	Overload 208V, 3PH	-	-	202385	202388	202390	202392	202394	-	-	-
23	Overload 230V,3PH	-	-	202385	202388	202390	202392	202394	-	-	-
23	Overload 460V,3PH	-	-	202387	202386	202389	202391	202393	202394	-	-
23	Overload 575V, 3PH	-	-	202399	202387	202386	202389	202391	202393	-	-

©2024 Industrial Flow Solutions Operating, LLC. All rights reserved.

Industrial Flow Solutions Operating, LLC • 104 John W Murphy Drive, New Haven, CT 06513, USA

(860) 631-3618 • www.flowsolutions.com



Pos	Part Description	Pump Model									
		JX400SS	JX750SS	JX08SS	JX15SS	JX22SS	JX37SS	JX55CSS	JX75CSS	JX150CSS	JX220CSS
24	Capacitor 115V	202415	202417	202818	-	-	-	-	-	-	-
24	Capacitor 230V	202416	202418	-	-	-	-	-	-	-	-
26	Pump Top Cover	203121	202434	202436	202436	202438	202438	202440	202440	205199	205199
26-1	O-Ring (Kit Only)	Kit	Kit	Kit	Kit	Kit	Kit	Kit	Kit	Kit	Kit
27	Power Cable w/ Gland-115V, 1PH	204261	204262	-	-	-	-	-	-	-	-
27	Power Cable w/ Gland-230V, 1PH, No Plug	201685	201695	-	-	-	-	-	-	-	-
27	Power Cable w/ Gland- 3PH	-	-	201702	201702	203443	203445	203447	203447	205225	205226
27-1	O-Ring (Kit Only)	Kit	Kit	Kit	Kit	Kit	Kit	Kit	Kit	Kit	Kit
27-2	Seal Minder® Cable	-	201713	201713	201713	201713	201713	201713	201713	205228	205228
27-2-1	O-Ring (Kit Only)	-	Kit	Kit	Kit	Kit	Kit	Kit	Kit	Kit	Kit
27-3	Oil Sensor Cap	-	201718	201718	201718	201718	201718	201718	201718	-	-
31D	Seal Minder® Probe	-	202408	202408	202408	202410	202410	204000	204000	204001	204001
31E	Ground Wire w/Ring Term.	203145	203145	203145	203145	203145	203145	203145	203145	203145	203145
32	Power Cord Line Clip / Strain Relief	203161	203166	203161	203161	202504	202499	202499	202499	205190	205190
33	Seal Minder® Cable Line Clip	-	203163	203163	203163	203163	203163	203163	203163	202495	202495
34	Handle	202517	202517	202517	202517	202517	202517	203171	203171		
34	EyeBolt, M12	-	-	-	-	-	-	-	-	205202	205202
35	Holding Rods	202665	202682	202684	202685	202686	202687	202673	202674	-	-
38	Discharge Nipple	202532	202532	202532	202535	202535	202535	-	-	-	-
38E	Discharge Elbow, 4"	-	-	-	-	-	-	202561	202561	-	-
38E	Discharge Elbow, 4" To 6" ANSI	-	-	-	-	-	-	-	-	202574	202574
38E-1	Gasket, 4" Discharge Elbow FKM	-	-	-	-	-	-	203211	203211	203211	203211
38E-1	Gasket, 4" Discharge Elbow Buna-N (Optional)	-	-	-	-	-	-	203210	203210	-	-
38E-1	Gasket, 4" Discharge Elbow EPDM (Optional)	-	-	-	-	-	-	205826	205826	205826	205826
38F	Discharge Flange	202563	202563	202563	202546	202546	202546	202540	202540	-	-
38F	Discharge Connection 4" NPT-F	-	-	-	-	202553	202553	-	-	-	-

©2024 Industrial Flow Solutions Operating, LLC. All rights reserved.

Industrial Flow Solutions Operating, LLC • 104 John W Murphy Drive, New Haven, CT 06513, USA

(860) 631-3618 • www.flowsolutions.com



Pump Model

Pos	Part Description	JX400SS	JX750SS	JX08SS	JX15SS	JX22SS	JX37SS	JX55CSS	JX75CSS	JX150CSS	JX220CSS
38F	Discharge Flange, 6" ANSI SLIP WELD	-	-	-	-	-	-	-	-	202549	202549
38F-1	O-Ring - Discharge Flange, FKM	202723	202723	202723	202724	202724	202724	-	-	-	-
38F-1	Gasket - Discharge Flange, FKM	-	-	-	-	-	-	203211	203211	-	-
38F-1	Gasket - Discharge Flange, Buna-N (Optional)	-	-	-	-	-	-	203210	203210	-	-
38F-1	O-Ring - Discharge Flange, EPDM (Optional)	203440	203440	203440	200345	200345	200345	-	-	-	-
38F-1	Gasket - Discharge Flange, EPDM (Optional)	-	-	-	-	-	-	205826	205826	-	-
38F-1	O-Ring - Discharge 4" NPT-F, FKM	-	-	-	-	203328	203328	-	-	-	-
38F-1	Gasket - Discharge 6" , FKM	-	-	-	-	-	-	-	-	202664	202664
38F-1	Gasket - Discharge 6" , BUNA	-	-	-	-	-	-	-	-	-	-
38F-1	Gasket - Discharge 6" , EPDM	-	-	-	-	-	-	-	-	205892	205892
50-01	Screw	202694	203215	203215	203215	203297	203297	203241	203241	202711	202711
50-01-1	Flat Washer M8	-	-	-	-	-	-	-	-	202903	202903
50-01-2	Split Washer M8	-	-	-	-	-	-	-	-	202902	202902
50-02	Screw	-	203216	203216	203216	203220	203220	203229	203229	203294	203294
50-02-1	Split Washer M8	-	-	-	-	-	-	-	-	202902	202902
50-07	Screw	203216	203296	203296	203296	203296	203296	203229	203229	-	-
50-08	Screw	203215	203219	203219	203219	203219	203219	203246	203246	203260	203260
50-08-01	Split Washer M12	-	-	-	-	-	-	-	-	202905	202905
50-11	Screw	203218	203218	203218	203218	203218	203218	203218	203218	203268	203268
50-11-1	O-Ring (Kit Only)	Kit	Kit	Kit	Kit	Kit	Kit	Kit	Kit	Kit	Kit
50-12	Screw	203218	203218	203218	203218	203218	203218	203218	203218	203218	203218
50-12-1	O-Ring (Kit Only)	Kit	Kit	Kit	Kit	Kit	Kit	Kit	Kit	Kit	Kit
50-14	Cap Screw, M6-1	-	-	-	-	-	-	-	-	201219	201219
50-14-1	Split Washer, M6	-	-	-	-	-	-	-	-	202900	202900
50-14-2	Screw	-	203219	203219	203219	203219	203219	203219	203219	-	-
50-19A	Screw	203215	-	-	-	-	-	-	-	-	-

©2024 Industrial Flow Solutions Operating, LLC. All rights reserved.

Industrial Flow Solutions Operating, LLC • 104 John W Murphy Drive, New Haven, CT 06513, USA

(860) 631-3618 • www.flowsolutions.com



Pump Model

Pos	Part Description	JX400SS	JX750SS	JX08SS	JX15SS	JX22SS	JX37SS	JX55CSS	JX75CSS	JX150CSS	JX220CSS
50-19	Screw	202693	202693	-	-	-	-	-	-	-	-
50-21	Cap Screw, M12-.75	-	-	-	-	-	-	-	-	203255	203255
50-21-1	Split Washer, M12	-	-	-	-	-	-	-	-	202912	202912
50-22	Screw	202692	-	-	-	-	-	-	-	-	-
50-23	Screw	202693	202700	202700	202700	202700	202700	202700	202700	-	-
50-26-1	Screw, Cap, Motor Campling	-	-	-	-	-	-	-	-	205206	205206
50-26-2	Split Washer, M10	-	-	-	-	-	-	-	-	202909	202909
50-27	Screw	202692	203295	203295	203295	203246	203246	203246	203246	-	-
50-27-1	Cap Screw, M10-1.5	-	-	-	-	-	-	-	-	203262	203262
50-27-2	Screw for Seal Minder® Cable	203216	203295	203295	203295	203295	203295	203216	203216	203216	203216
50-27-3	Split Washer, M10	-	-	-	-	-	-	-	-	202909	202909
50-27-4	Split Washer, M5	-	-	-	-	-	-	-	-	202915	202915
50-27-5	Cap Screw, M8-1.5	-	-	-	-	-	-	-	-	203229	203229
50-27-6	Split Washer, M8	-	-	-	-	-	-	-	-	202902	202902
50-31E	Screw	202692	202692	202692	202692	202692	202692	202692	202692	203214	203214
50-31E-2	Lock Washer									202772	202772
50-32	Screw	203214	203214	203214	203214	-	-	-	-		
50-32-1	Cap Screw, M6-1									203256	203256
50-32-2	Cap Screw, M6-1									201028	201028
50-32-3	Flat Washer M6									202901	202901
50-33	Screw	-	203214	203214	203214	203214	203214	-	-	-	-
50-34	Screw	203219	203219	203219	203219	203296	203296	-	203228	-	-
50-34-1	Screw for Handle w/ Cable Chain	-	-	-	-	-	-	203228	203288	-	-
50-34-2	Screw for Handle	-	-	-	-	-	-	203288	202902	-	-
50-34-3	Lock Washer	-	-	-	-	-	-	202902	203287	-	-
50-38E	Bolt - Discharge Elbow	-	-	-	-	-	-	203287	203287	203287	203287

©2024 Industrial Flow Solutions Operating, LLC. All rights reserved.

Industrial Flow Solutions Operating, LLC • 104 John W Murphy Drive, New Haven, CT 06513, USA

(860) 631-3618 • www.flowsolutions.com



Pump Model

Pos	Part Description	Pump Model									
		JX400SS	JX750SS	JX08SS	JX15SS	JX22SS	JX37SS	JX55CSS	JX75CSS	JX150CSS	JX220CSS
50-38-2	Split Washer M12	-	-	-	-	-	-	-	-	202905	202905
50-38-3	Flat Washer M12	-	-	-	-	-	-	-	-	202912	202912
50-38F	Bolt - Discharge Flange	203230	-	-	-	203253	203253	203287	202645		
	O-Ring Kit-FKM	202626	202630	202647	202647	202642	202642	202645	202645	205252	205252
	O-Ring Kit-Buna (Optional)	202625	-	-	-	-	-	202639	202639	-	-
	O-Ring Kit- EPDM (Optional)	-	-	-	-	-	-	200456	200456	205643	205643

**All 1 HP and up BJM mechanical seal elastomer material is FKM

©2024 Industrial Flow Solutions Operating, LLC. All rights reserved.

Industrial Flow Solutions Operating, LLC • 104 John W Murphy Drive, New Haven, CT 06513, USA

(860) 631-3618 • www.flowsolutions.com