

KB-SERIES

	Pump Model	KB55	KB55H	KB75	KB75H	KB110	KB110H
Pos. No.	Part Description	Item #	Item #	Item #	Item #	Item #	Item #
01	Strainer / Stand	202013	202013	202014	202013	202014	202014
02	Wear Plate	202863	202866	202865	202866	202024	202025
02W	Suction Cover	202878	202878	202879	202878	202879	202879
04	Lock Washer	202904	202904	202904	202904	202904	202904
05	Impeller	202924	202925	202926	202927	202928	202929
05W	Agitator	202058	202058	202058	202058	202058	202058
06	Impeller Key	202145	202145	202145	202145	202145	202145
07	Pump Housing	203036	203036	203033	203036	203033	203033
07-3	Pump Housing Sleeve	202182	202182	202182	202182	202182	202182
08	Oil Chamber Cover	202228	202228	202228	202228	202228	202228
08 -1	O-Ring (Kit Only)	Kit	Kit	Kit	Kit	Kit	Kit
09	Lip Seal Buna N	202248	202248	202248	202248	202248	202248
10	Shaft Sleeve	203074	203074	203074	203074	203074	203074
13	Mech. Seals - Set Buna N (Optional)	201016	201016	201016	201016	201016	201016
13	Mech. Seals - Set FKM	201015	201015	201015	201015	201015	201015
13-2	Mech. Seal Retainer	202274	202274	202274	202274	202274	202274
14	Lower Ball Bearing	200963	200963	200963	200963	200962	200962
14-2	Lower Bearing Retainer	202276	202276	202276	202276	202282	202282
15	Impeller Shim Kit	200478	200478	200478	200478	200478	200478
16	Motor Housing	203078	203078	203079	203078	203080	203080
17	Rotor w/ Shaft, 3 phase	202355	202355	202356	202356	202357	202357
18	Stator 230V/460V, 3 phase, 60Hz	200674	200674	-	-	-	-
18	Stator 460V, 3 phase, 60Hz	-	-	200677	200677	200679	200679
18	Stator 575V, 3 phase, 60 Hz	200676	200676	200678	200678	200680	200680
20	Upper Ball Bearing	200968	200968	200968	200968	200968	200968
20-1	O-Ring (Kit Only)	Kit	Kit	Kit	Kit	Kit	Kit
20-2	Spring Washer	202361	202361	202361	202361	202361	202361
21A	Lower Bearing Housing	202376	202376	202376	202376	202375	202375
21A-1	O-Ring (Kit Only)	Kit	Kit	Kit	Kit	Kit	Kit
23	Overload 230V, 3PH	202394	202394	-	-	-	-
23	Overload 460V, 3PH	202393	202393	202394	202394	202398	202398
23	Overload 575V, 3 PH	202391	202391	202393	202393	202394	202394

**All 1 HP and up BJM Pumps® mechanical seal elastomer material is FKM

KB-SERIES

	Pump Model	KB55	KB55H	KB75	KB75H	KB110	KB110H
Pos. No.	Part Description	Item #	Item #	Item #	Item #	Item #	Item #
26	Pump Top Cover	203133	203133	203134	203133	203134	203134
26-1	O-Ring (Kit Only)	Kit	Kit	Kit	Kit	Kit	Kit
27	Power Cord Set (5 lead)	203450	203450	203450	203450	203451	203451
27-1	O-Ring (Kit Only)	Kit	Kit	Kit	Kit	Kit	Kit
27-2	Seal Minder® Cord	201714	201714	201714	201714	201714	201714
27-3	Seal Minder® Cap	201717	201717	201717	201717	201717	201717
27-3-1	O-Ring (Kit Only)	Kit	Kit	Kit	Kit	Kit	Kit
31D	Seal Minder® Probe	202410	202410	202410	202410	202410	202410
32	Power Cable Strain Relief	202506	202506	202506	202506	202500	202500
33	Seal Minder® Cord Line Clip	203163	203163	203163	203163	203163	203163
34	Handle	202527	202527	202528	202527	202528	202528
38	3" NPT Male Coupling Flange	-	202610	-	-	-	-
38	4" NPT Male Coupling Flange	202609	-	-	202609	-	202612
38	6" NPT Male Coupling Flange	-	-	202611	-	202611	-
50-01	Bolt - Strainer / Stand	203241	203241	203225	203241	203225	203225
50-02	Bolt - Wear Plate	203294	203294	203262	203294	203262	203262
50-02W	Bolt - Suction Cover	203262	203262	203262	203262	203262	203262
50-07	Bolt - Pump Housing	203265	203265	203265	203265	203265	203265
50-08	Bolt - Oil Chamber Cover	203229	203229	203229	203229	203229	203229
50-11	Bolt - Oil Inspection	203268	203268	203268	203268	203268	203268
50-11-1	O-Ring (Kit Only)	Kit	Kit	Kit	Kit	Kit	Kit
50-12	Screw - Pressure Test	203218	203218	203218	203218	203218	203218
50-12-1	O-Ring (Kit Only)	Kit	Kit	Kit	Kit	Kit	Kit
50-13-2	Screw - Seal Retainer	203214	203214	203214	203214	203214	203214
50-14-2	Bolt - Bearing Retainer	203219	203219	203219	203219	203219	203219
50-21A	Bolt - Bearing Housing	203229	203229	203229	203229	203229	203229
50-23	Screw - Overload Protector	202700	202700	202700	202700	202700	202700
50-26	Bolt-Top Cover	-	-	203223	-	203223	203223
50-27	Bolt - Power Cord	203229	203229	203229	203229	203229	203229
50-27-3	Screw - Seal Minder® Cap	203216	203216	203216	203216	203216	203216
50-34	Bolt - Handle	203222	203222	203222	203222	203222	203222
50-38	Bolt - Discharge Flange	203262	203262	203224	203262	203224	203224
O-Ring Kit - Buna N		203204	203204	203204	203204	203204	203204

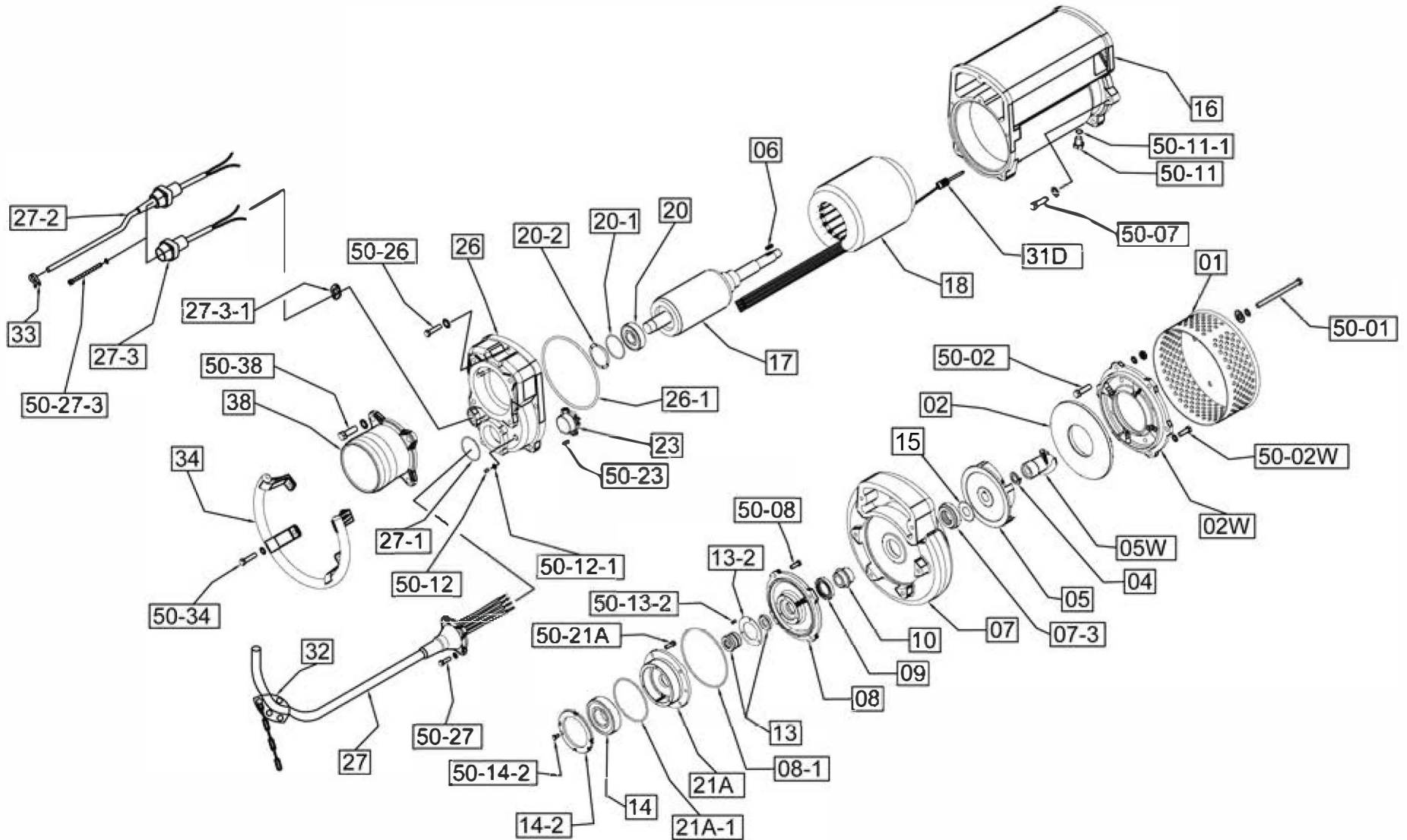
**All 1 HP and up BJM Pumps® mechanical seal elastomer material is FKM

KB220 SERIES SPARE PARTS

	Pump Model	KB220
Item No.	Part Description	Item #
01	STRAINER, SUCTION, STEEL, KB220	205173
02	COVER, SUCTION, CI, KB220	205175
02W	PLATE, WEAR, CHROME IRON, KB220	205174
04	LOCK WASHER	202918
05	IMPELLER, CLOSED, CHROME IRON, KB220	205176
05W	AGITATOR, DI, KB220	205177
06	IMPELLER KEY	202147
07	HOUSING, PUMP, DI, KB220	205178
07-3	PUMP HOUSING SLEEVE	202182
08	COVER, SEAL CHAMBER, DI, KB220	205179
08-1	O-RING (KIT ONLY)	KIT
09	LIP SEAL, BUNA-N	202251
10	SHAFT SLEEVE	203074
13	MECH. SEAL SET	205329
14	LOWER BEARING-Top	200962
14	LOWER BEARING-Bottom	200962
14-2	LOWER BEARING RETAINER	203076
16	HOUSING, MOTOR, CI, KB220	205181
17	ROTOR, SHAFT ASSY., 30HP, 2 POLE, KB220	205182
18	STATOR, 30HP, 460/3/60, 2 POLE	205183
18	STATOR, 30HP, 575/3/60, 2 POLE	205184
20	UPPER BEARING	200968
20-2	WAVE WASHER	202361
21A	HOUSING, SEAL CHAMBER, CI, KB220	205185
21A-1	O-RING (KIT ONLY)	KIT
26	COVER, TOP, CI, KB220	205186
26-1	O-RING (KIT ONLY)	KIT
27	POWER CABLE ASSY. (5 Lead)	205224
27-1	O-RING (KIT ONLY)	KIT
27-2	SENSOR CABLE ASSY.	205227
27-3	O-RING (KIT ONLY)	KIT
31D	SEAL MINDER PROBE	204001
31E	GROUND WIRE	203145
32	POWER CABLE STRAIN RELIEF	202496
33	SENSOR CABLE STRAIN RELIEF	202495
34	LIFTING EYE BOLT	203173
38	6" NPT MALE DISCHARGE FLANGE	202611
50-01-1	CAP SCREW, M12-1.75	203258
50-01-2	SPLIT WASHER M12	202905
50-01-3	FLAT WASHER M12	202912
50-02-1	CAP SCREW, M12-1.75	203236
50-02-2	SPLIT WASHER M12	202905
50-02-3	FLAT WASHER M12	202912
50-02W-1	CAP SCREW, M10-1.5	203243
50-02W-2	SPLIT WASHER M10	202909
50-07-1	CAP SCREW, M12-1.75	203236
50-07-2	SPLIT WASHER M12	202905
50-08-1	CAP SCREW, M8-1.25	203294
50-08-2	SPLIT WASHER M8	202902
50-11	OIL PLUG	203268
50-11-1	O-RING (KIT ONLY)	KIT

50-12	OIL PLUG SCREW	203218
50-12-1	O-RING (KIT ONLY)	KIT
50-13-2	SCREW, M4-0.7	203214
50-14	RING, SNAP, 50MM, STEEL	205180
50-14-2	CAP SCREW, M6-1	203220
50-16	STATOR LOCK BOLT, WASHER, O-RING	202807
50-21A-1	CAP SCREW, M12-1.75	203271
50-21A-2	SPLIT WASHER M12	202905
50-26-1	CAP SCREW, M10-1.5	203243
50-26-1	SPLIT WASHER M10	202909
50-27-1	CAP SCREW, M10-1.5	203262
50-27-2	SPLIT WASHER M10	202909
50-27-3	SCREW, M5-0.8	203216
50-27-4	SPLIT WASHER M5	202915
50-27-5	CAP SCREW, M8-1.25	203229
50-27-6	SPLIT WASHER M8	202902
50-31E-1	SCREW, M4-0.7	203214
50-31E-2	LOCK WASHER	202772
50-32-1	CAP SCREW, M6-1	203256
50-32-2	CAP SCREW, M6-1	201028
50-32-3	FLAT WASHER M6	202901
50-38-1	CAP SCREW, M12-1.75	203236
50-38-2	SPLIT WASHER M12	202905
	O-Ring Kit - Buna	205250
	O-Ring Kit - FKM	205251

KB55, 55H, 75, 75H, 110, 110H



KB220

