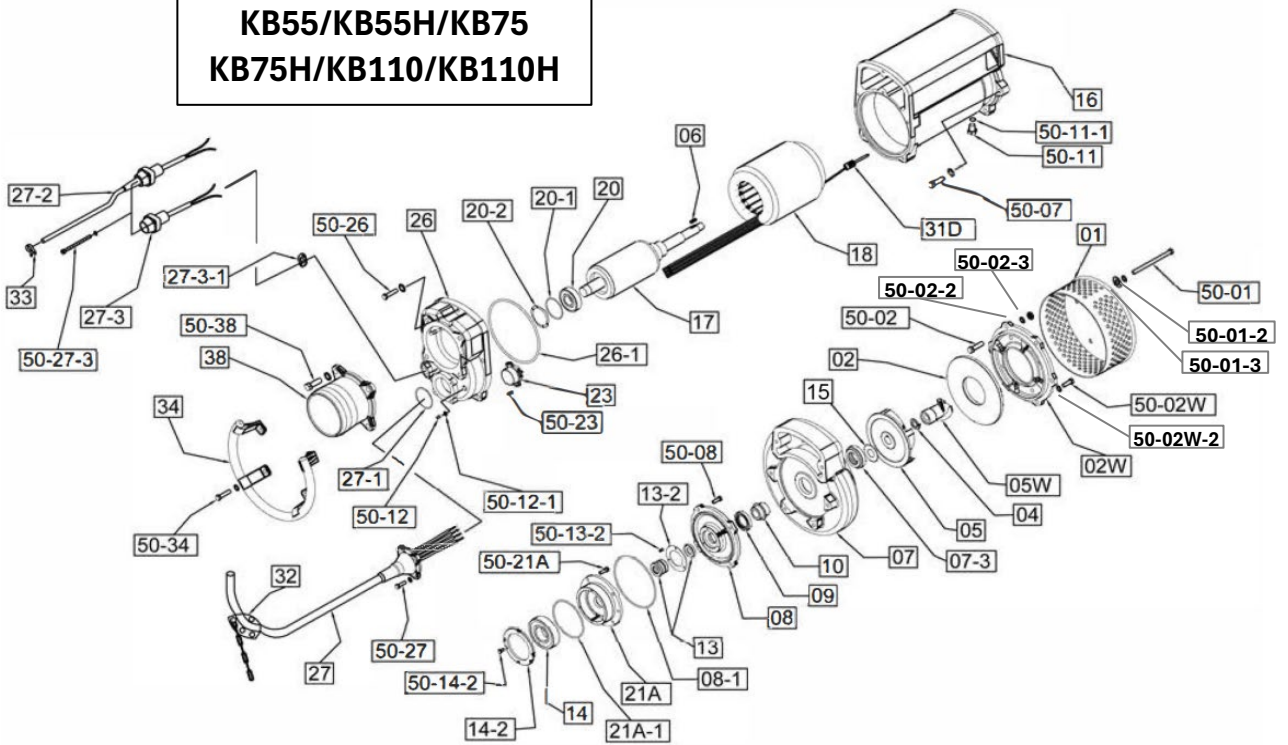
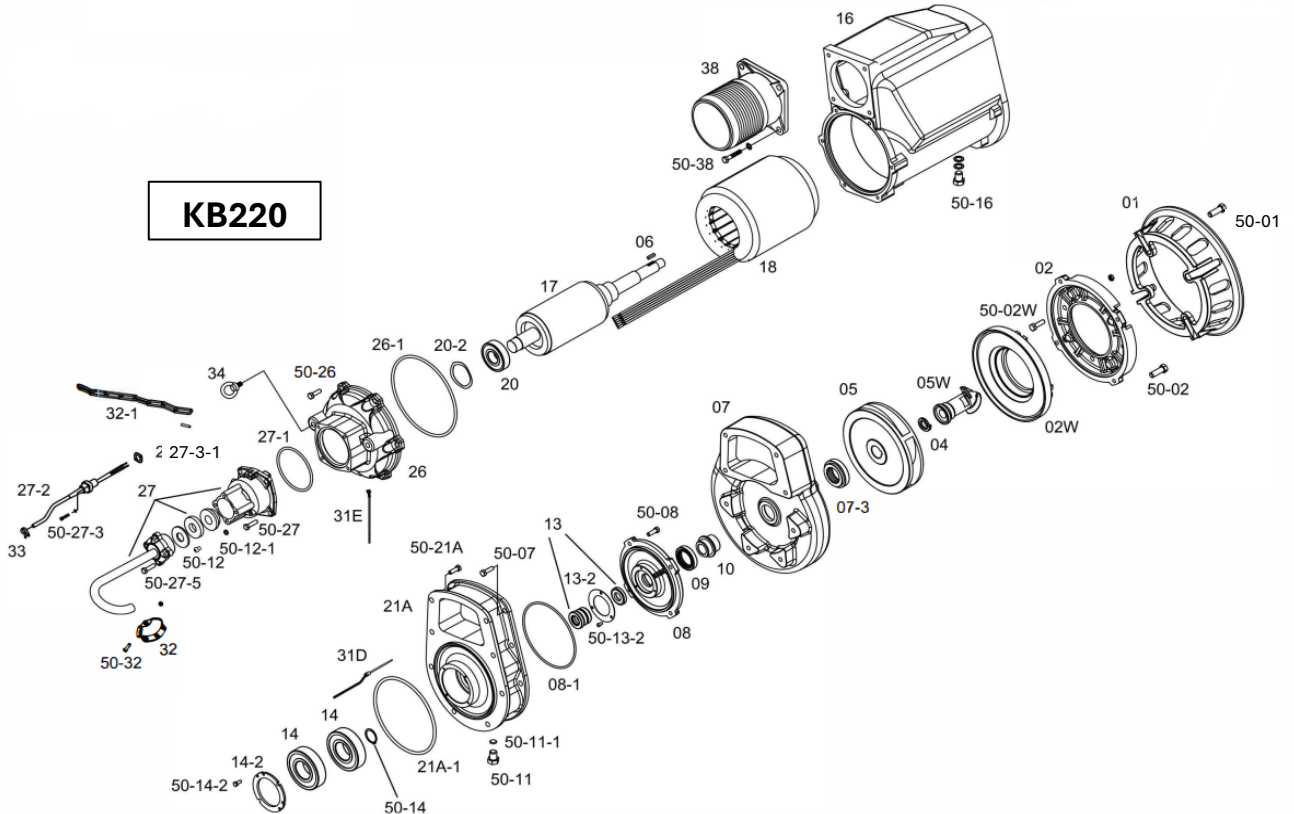




**KB55/KB55H/KB75  
KB75H/KB110/KB110H**



**KB220**



©2025 Industrial Flow Solutions Operating, LLC. All rights reserved.

Industrial Flow Solutions Operating, LLC • 104 John W Murphy Drive, New Haven, CT 06513, USA  
(860) 631-3618 • [www.flowsolutions.com](http://www.flowsolutions.com)



Pos	Part Description	Qty	Pump Model						
			KB55	KB55H	KB75	KB75H	KB110	KB110H	KB220
01	Strainer / Stand	1	202013	202013	202014	202013	202014	202014	205173
02	Wear Plate	1	202863	202866	202865	202866	202024	202025	205174
02W	Suction Cover	1	202878	202878	202879	202878	202879	202879	205175
04	Impeller Washer	1	202904	202904	202904	202904	202904	202904	202918
05	Impeller	1	202924	202925	202926	202927	202928	202929	205176
05W	Agitator	1	202058	202058	202058	202058	202058	202058	205177
06	Impeller Key	1	202145	202145	202145	202145	202145	202145	202147
07	Pump Housing	1	203036	203036	203033	203036	203033	203033	205178
07-3	Pump Housing Sleeve	1	202182	202182	202182	202182	202182	202182	202182
08	Oil Chamber Cover	1	202228	202228	202228	202228	202228	202228	205179
08-1	O-Ring (Kit Only)	1	Kit	Kit	Kit	Kit	Kit	Kit	Kit
09	Lip Seal Buna N	1	202248	202248	202248	202248	202248	202248	202251
10	Shaft Sleeve	1	203074	203074	203074	203074	203074	203074	203074
13	Mech. Seals - Set Buna N (Opt)	1	201016	201016	201016	201016	201016	201016	--
13	Mech. Seals - Set FKM	1	201015	201015	201015	201015	201015	201015	205329
13-2	Mech. Seal Retainer	1	202274	202274	202274	202274	202274	202274	--
14	Lower Ball Bearing	1	200963	200963	200963	200963	200962	200962	--
14	Lower Ball Bearing	2	--	--	--	--	--	--	200962
14-2	Lower Bearing Retainer	1	202276	202276	202276	202276	202282	202282	203076
15	Impeller Shim Kit (Required)	1	200478	200478	200478	200478	200478	200478	--
16	Motor Housing	1	203078	203078	203079	203078	203080	203080	205181
17	Rotor w/ Shaft, 3 phase	1	202355	202355	202356	202356	202357	202357	205182
18	Stator 230V/460V, 3 phase, 60Hz	1	200674	200674	--	--	--	--	--
18	Stator 460V, 3 phase, 60Hz	1	--	--	200677	200677	200679	200679	205183
18	Stator 575V, 3 phase, 60 Hz	1	200676	200676	200678	200678	200680	200680	205184
20	Upper Ball Bearing	1	200968	200968	200968	200968	200968	200968	200968
20-1	O-Ring (Kit Only)	1	Kit	Kit	Kit	Kit	Kit	Kit	--
20-2	Spring Washer	1	202361	202361	202361	202361	202361	202361	202361
21A	Lower Bearing Housing	1	202376	202376	202376	202376	202375	202375	205185
21A-1	O-Ring (Kit Only)	1	Kit	Kit	Kit	Kit	Kit	Kit	Kit
23	Overload 230V, 3PH	1	202394	202394	--	--	--	--	--
23	Overload 460V, 3PH	1	202393	202393	202394	202394	202398	202398	--
23	Overload 575V, 3 PH	1	202391	202391	202393	202393	202394	202394	--
26	Pump Top Cover	1	203133	203133	203134	203133	203134	203134	205186
26-1	O-Ring (Kit Only)	1	Kit	Kit	Kit	Kit	Kit	Kit	Kit
27	Power Cord Set (5 lead)	1	203450	203450	203450	203450	203451	203451	205224
27-1	O-Ring (Kit Only)	1	Kit	Kit	Kit	Kit	Kit	Kit	Kit
27-2	Seal Minder Cord	1	201714	201714	201714	201714	201714	201714	205227
27-3	Seal Minder Cap	1	201717	201717	201717	201717	201717	201717	201717
27-3-1	O-Ring (Kit Only)	1	Kit	Kit	Kit	Kit	Kit	Kit	Kit

©2025 Industrial Flow Solutions Operating, LLC. All rights reserved.

Industrial Flow Solutions Operating, LLC • 104 John W Murphy Drive, New Haven, CT 06513, USA  
(860) 631-3618 • [www.flowsolutions.com](http://www.flowsolutions.com)



Pos	Part Description	Qty	Pump Model						
			KB55	KB55H	KB75	KB75H	KB110	KB110H	KB220
31D	Seal Minder Probe	1	202410	202410	202410	202410	202410	202410	204001
31E	Ground Wire	1	--	--	--	--	--	--	203145
32	Power Cable Strain Relief	1	202506	202506	202506	202506	202500	202500	202496
33	Seal Minder Cord Line Clip	1	203163	203163	203163	203163	203163	203163	202495
34	Handle	1	202527	202527	202528	202527	202528	202528	--
34	Lifting Eye Bolt	2	--	--	--	--	--	--	203173
38	3" NPT Male Coupling Flange	1	--	202610	--	--	--	--	--
38	4" NPT Male Coupling Flange	1	202609	--	--	202609	--	202612	--
38	6" NPT Male Coupling Flange	1	--	--	202611	--	202611	--	202611
50-01	Bolt - Strainer / Stand	4	203241	203241	203225	203241	203225	203225	203258
50-01-2	Split-Lock Washer	4	202902	202902	202909	202902	202909	202909	202905
50-01-3	Flat Washer	4	202903	202903	202910	202903	202910	202910	202912
50-02	Bolt - Wear Plate	4	203294	203294	203262	203294	203262	203262	203236
50-02-2	Split-Lock Washer	4	202902	202902	202909	202902	202909	202909	202905
50-02-3	Flat Washer	4	202903	202903	202910	202903	202910	202910	202912
50-02W	Bolt - Suction Cover	6	203262	203262	203262	203262	203262	203262	203243
50-02W-2	Split-Lock Washer	6	202909	202909	202909	202909	202909	202909	202909
50-07	Bolt - Pump Housing	6	203265	203265	203265	203265	203265	203265	203236
50-07-2	Split-Lock Washer	6	202905	202905	202905	202905	202905	202905	202905
50-08	Bolt - Oil Chamber Cover	4	203229	203229	203229	203229	203229	203229	203294
50-08-2	Split-Lock Washer	4	202902	202902	202902	202902	202902	202902	202902
50-11	Bolt - Oil Inspection	1	203268	203268	203268	203268	203268	203268	203268
50-11-1	O-Ring (Kit Only)	1	Kit	Kit	Kit	Kit	Kit	Kit	Kit
50-12	Screw - Pressure Test	1	203218	203218	203218	203218	203218	203218	203218
50-12-1	O-Ring (Kit Only)	1	Kit	Kit	Kit	Kit	Kit	Kit	Kit
50-13-2	Screw - Seal Retainer	3	203214	203214	203214	203214	203214	203214	203214
50-14	Snap Ring	1	--	--	--	--	--	--	205180
50-14-2	Bolt - Bearing Retainer	4	203219	203219	203219	203219	203219	203219	203220
50-16	Bolt - Stator Lock	1	--	--	--	--	--	--	202807
50-21A	Bolt - Bearing Housing	4	203229	203229	203229	203229	203229	203229	--
50-21A	Bolt - Bearing Housing	8	--	--	--	--	--	--	203271
50-21A-2	Split-Lock Washer	4	202902	202902	202902	202902	202902	202902	--
50-21A-2	Split-Lock Washer	8	--	--	--	--	--	--	202905
50-23	Screw - Overload Protector	2	202700	202700	202700	202700	202700	202700	--
50-26	Bolt-Top Cover	3	203223	203223	203223	203223	203223	203223	--
50-26	Bolt-Top Cover	6	--	--	--	--	--	--	203243
50-27	Bolt - Power Cord	4	203229	203229	203229	203229	203229	203229	203262
50-27-2	Split-Lock Washer	4	202902	202902	202902	202902	202902	202902	202909
50-27-3	Screw - Seal Minder Cap	2	203216	203216	203216	203216	203216	203216	203216
50-27-4	Split-Lock Washer	2	202915	202915	202915	202915	202915	202915	202915

©2025 Industrial Flow Solutions Operating, LLC. All rights reserved.

Industrial Flow Solutions Operating, LLC • 104 John W Murphy Drive, New Haven, CT 06513, USA  
(860) 631-3618 • [www.flowsolutions.com](http://www.flowsolutions.com)



Pos	Part Description	Qty	Pump Model						
			KB55	KB55H	KB75	KB75H	KB110	KB110H	KB220
50-27-5	Bolt - Power Cord Housing	4	--	--	--	--	--	--	203229
50-27-6	Split-Lock Washer	4	--	--	--	--	--	--	202902
50-31E-2	External Tooth-Lock Washer	1	--	--	--	--	--	--	202772
50-32	Bolt - Power Cable Strain Relief	4	203246	203246	203246	203246	203256	203256	203256
50-32-3	Flat Washer	4	202901	202901	202901	202901	202901	202901	202901
50-34	Bolt - Handle	4	203222	203222	203222	203222	203222	203222	--
50-38	Bolt - Discharge Flange	4	203262	203262	203224	203262	203224	203224	203236
50-38-2	Split-Lock Washer	4	202909	202909	202909	202909	202909	202909	202905
	<b>O-Ring Kit-Buna N</b>	1	203204	203204	203204	203204	203204	203204	205250
	<b>O-Ring Kit-FKM (Opt)</b>	1	203753	203753	203753	203753	203753	203753	205251

**©2025 Industrial Flow Solutions Operating, LLC. All rights reserved.**

Industrial Flow Solutions Operating, LLC • 104 John W Murphy Drive, New Haven, CT 06513, USA  
(860) 631-3618 • [www.flowsolutions.com](http://www.flowsolutions.com)