



Pos	Part Description	Qty ¹	Pump Model				
			KHD110	KHD220	KHH220	KHD450	KHD750
2	Pump Top Cover (Upper Casing)	1	205398	205399	205547	205401	205401
2-SN	Stud, M12X45(13/22), 304SS	8	----	206144	206144	----	----
2-SN	Stud, M12X105(13/25), 304SS	6	206147	----	----	----	----
2-SN	Nut, M12-1.75, SS304	#	205796 (X6)	205796 (X8)	205796 (X8)	----	----
3	Bearing, Upper	1	200961	200962	200962	205299	205299
4	Outer Housing (Middle Casing)	1	205402	205403	205403	205405	205405
5	Motor Housing	1	205406	205407	205407	205409	205409
5-SN	Stud, M12-1.75X55(13/22)MM, SS304	8	----	205905	205905	----	----
5-SN	Stud, M20X75(20/30), 304SS	8	----	----	----	206149	206149
5-SN	Nut, M12-1.75, SS304	8	----	205796	205796	----	----
5-SN	Nut, M20, SS304, KHD450, KHD750	8	----	----	----	206152	206152
6	Stator, 460/3/60	1	205259	205268	205268	205277	205286
6	Stator, 575/3/60	1	205260	205269	205269	205278	205287
7 & 8	Rotor W/ Shaft	1	205261	205270	205291	205279	205288
9	Bearing, Lower	2	200495	204209	204209	200496	200496
10	Seal, Double Mech, Buna	1	205262	205271	205271	205280	205280
12	Oil Chamber(Oil Box)	1	----	----	----	205412	205412
12U	Oil Chamber(Upper Oil Box)	1	205410	205411	205411	----	----
12U-SN	Stud, M12X50(13/22), 304SS	8	----	206145	206145	----	----
12U-SN	Nut, M12-1.75, SS304	8	----	205796	205796	----	----
12U-SN1	Stud, M12X50(13/22), 304SS	6	206145	----	----	----	----
12U-SN1	Nut, M12-1.75, SS304	6	205796	----	----	----	----
12U-SN2	Stud, M12X50(13/22), 304SS	6	206145	----	----	----	----
12U-SN2	Nut, M12-1.75, SS304	6	205796	----	----	----	----
12L	Oil Chamber Cover(Lower Oil Box)	1	205414	205415	205415	----	----
12L-B	Bolt, M8X25, SS304	#	206137 (X6)	206137 (X4)	206137 (X4)	----	----
12S-N	Stud, Oil Chamber (Oil Box), M10X40(12/17), 304SS	8	----	----	----	206142	206142
12S-N	Nut,Hex,M10x1.5,304SS,DIN 934	8	----	----	----	40149	40149
13	Pump Housing (Pump Casing)	1	205416	205417	205508	----	----
13U	Pump Housing (Upper Pump Casing)	1	----	----	----	205418	205418
13U-SN	Stud, M20X105(25/35), 304SS	8	----	----	----	206150	206150
13U-SN	Nut, M20, SS304	8	----	----	----	206152	206152
13L	Suction Cover (Lower Pump Casing)	1	----	----	----	205282	205282
13L-SN	Stud, M20X118(25/32), 304SS	8	----	----	----	206151	206151
13L-SN	Nut, M20, SS304	8	----	----	----	206152	206152
13-SN	Stud, M12X45(13/22), 304SS	6	206144	----	----	----	----
13-SN	Nut, M12-1.75, SS304	6	205796	----	----	----	----
13U-P	Packing, Upper Pump Casing+Lower Bearing Housing Stud	8	----	----	----	205501	205501
14	Impeller, High Chrome	1	205263	205272	----	205281	205289
14U	Impeller, Upper, High Chrome	1	----	----	205292	----	----
14L	Impeller, Lower, High Chrome	1	----	----	205293	----	----
15	Suction Cover	1	205264	205273	----	----	----
15-P	Packing, Suction Cover & Guide Vane	1	----	205500	----	----	----

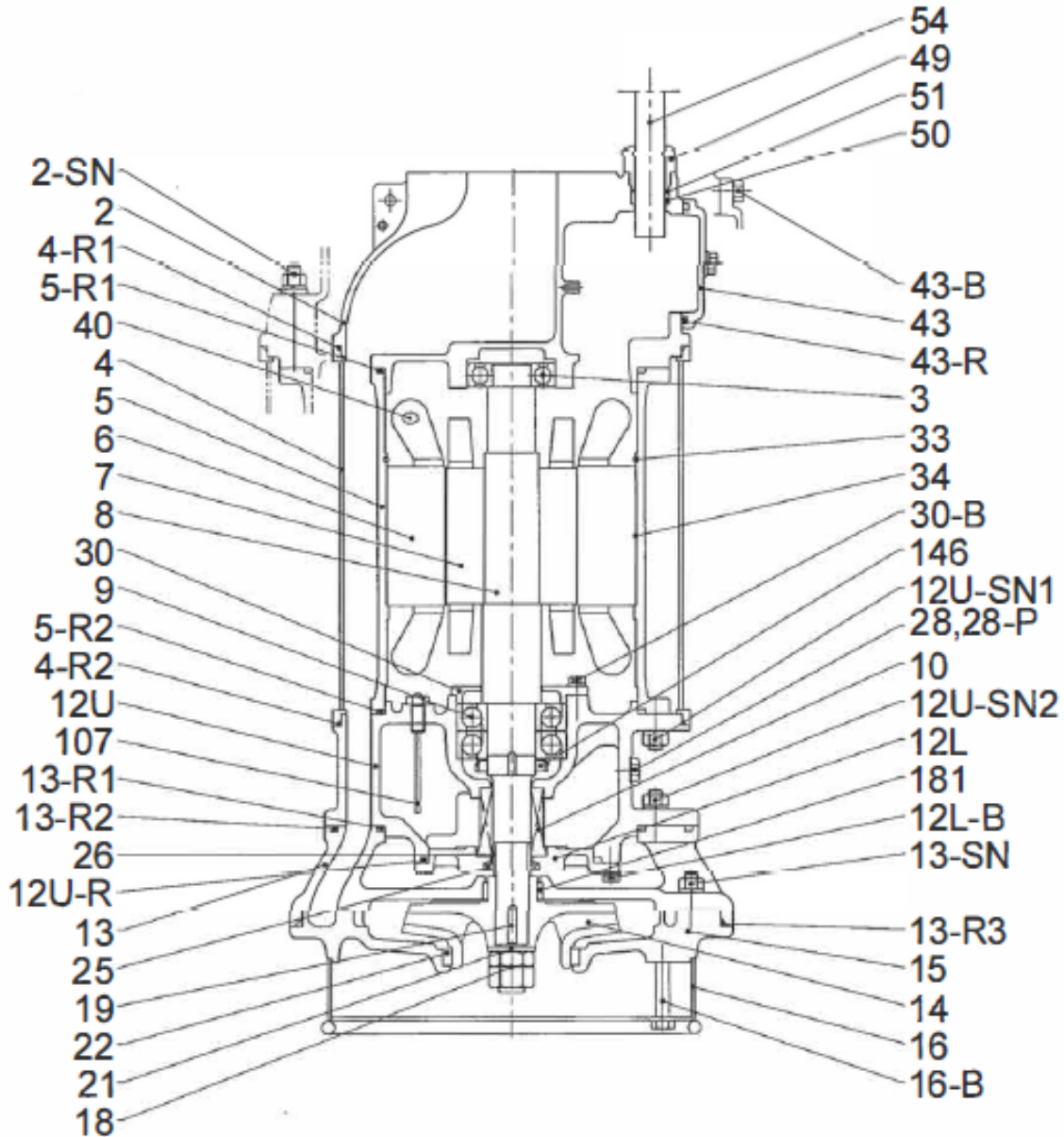
1 - Some quantites vary per model: (#)

15-SN	Stud, M12X45(13/22), 304SS	6	----	206144	----	----	----
15-SN	Nut, M12-1.75, SS304	6	----	205796	----	----	----
16	Strainer	1	205420	205421	205421	205422	205423
16-B	Bolt, Strainer, M12X65, SS304	3	205793	----	----	----	----
16-SN	Stud, Strainer, M12X95(13/25)	4	----	205794	205794	----	----
16-SN	Stud, Strainer, M16X220(18/30)	4	----	----	----	205795	205795
16-SN	Nut, M12-1.75, SS304	4	----	205796	205796	----	----
16-SN	Nut, M16, SS304, For Strainer Stud	4	----	----	----	205797	205797
17	Stand (Strainer Piece), 3/4"X176L	1	----	----	----	205424	205424
18	Impeller Nut	1	205426	205426	205426	205429	205429
19	Impeller Key	1	205430	205431	205511	205433	205433
21	Impeller Washer	21	205434	205434	205434	205437	205437
22	Wear Ring (Mouth Ring), NBR	#	205265 (X1)	205274 (X2)	205274 (X4)	205283 (X2)	205283 (X2)
22	Wear Ring (Mouth Ring), SS410 (Optional to NBR)	#	205372 (X1)	205373 (X2)	205373 (X4)	205374 (X2)	205374 (X2)
25	Lip Seal (Dust Seal)	1	205266	205275	205275	205284	205284
26	Shaft Sleeve	1	205438	205439	----	205440	205440
26U	Shaft Sleeve, Upper	1	----	----	205439	----	----
26L	Shaft Sleeve, Lower	1	----	----	205516	----	----
28	Oil Plug	#	205442 (X2)	205443 (X2)	205443 (X2)	205443 (X1)	205443 (X1)
28-P	Packing, Oil Plug (Seal Washer)	2	205496 (X2)	205497 (X2)	205497 (X2)	205497 (X1)	205497 (X1)
30	Lower Bearing Retainer (Bearing Cover)	1	205446	205447	205447	----	----
30-B	Bolt, Lower Bearing Retainer & Oil Chamber, M8X20, MS	#	206138 (X6)	206138 (X4)	206138 (X4)	----	----
30U	Upper Bearing Cover (For Item at Pos. No.9)	1	----	----	----	205449	205449
30U-B	Bolt, M8X25, MILD STEEL	4	----	----	----	206139	206139
30L	Lower Bearing Cover	1	----	----	----	205450	205450
30L-B	Bolt, M8X25, SS304	4	----	----	----	206137	206137
33	Stator Set Snap Ring	1	205454	205519	205519	----	----
34	Stator Set Key	1	205456	----	----	----	----
36	Wave Washer	1	----	205457	205457	----	----
43	Terminal Cover (Motor Protector Cover)	1	205478	----	----	----	----
43-B	Bolt, M10X25, Terminal Cover, SS304	4	206140	----	----	----	----
49	Bell Mouth (For Power Cable)	1	205458	205458	205458	----	----
49	Bell Mouth (For Control Cable)	1	205538	205538	205538	----	----
50	Cable Packing, For Power Cable	1	205465	205465	205465	205466	205467
50	Cable Packing, For Control Cable	1	205542	205542	205542	205548	205548
51	Cable Washer, For Power Cable	1	205469	205469	205469	205470	205471
51	Cable Washer, For Control Cable	1	205540	205540	205540	205553	205553
52	Screw Gland, For Power Cable	1	----	----	----	205472	205473
52	Screw Gland, For Control Cable	1	----	----	----	205550	205550
54	Cabletyre Cable, 8/3 AWG GGC	1	205460	205460	205460	----	----
54	Cable, 6/3 AWG GGC	1	----	----	----	205462	----
54	Cable, 2/3 AWG GGC	1	----	----	----	----	205463
60U	Upper Bearing Retainer (Upper Bearing Housing for Item No	1	----	----	----	205475	205475
60U- B	Bolt, M8X25	4	----	----	----	206139	206139
60L	Oil Chamber Housing (Lower Bearing Housing)	1	----	----	----	205477	205477
60L-B	Bolt, M8X25, SS304	8	----	----	----	206137	206137
76	Terminal Cover (Motor Protector Cover)	1	----	205479	205479	----	----
76A	Cable Entry (Terminal Cover A)	1	----	----	----	205482	205483
76A-SN	Stud, M12-1.75X55(13/22)MM, SS304	4	----	----	----	205905	205905

1 - Some quantities vary per model: (#)

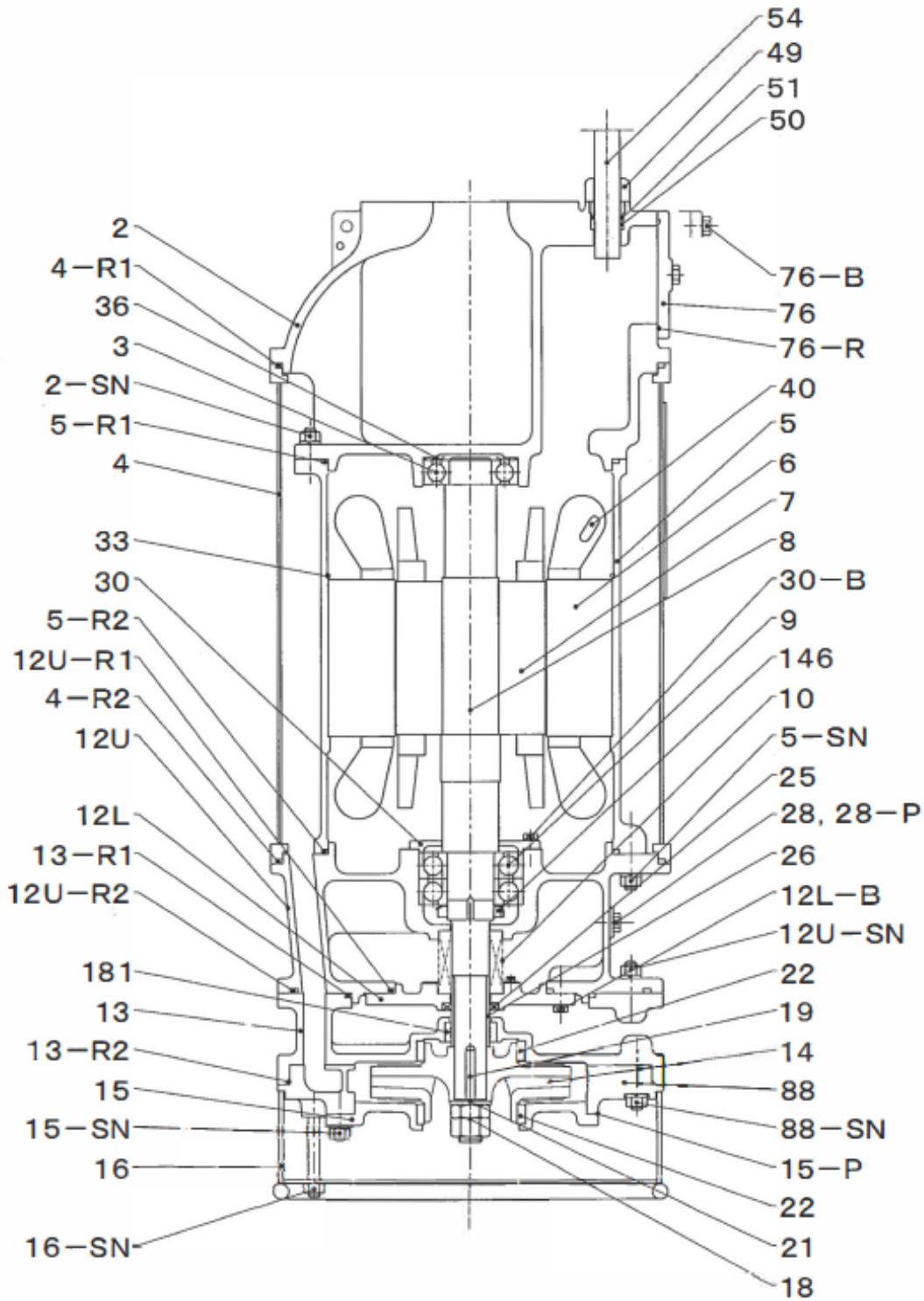
76A-SN	Nut, M12-1.75, SS304	4	----	----	----	205796	205796
76B	Terminal Cover B (Motor Protector Cover)	1	----	----	----	205481	205481
76B	Bolt, M10X25, Terminal Cover, SS304	4	----	206140	206140	----	----
76B-SN	Stud, M10X45(12/22), 304SS	6	----	----	----	206143	206143
76B-SN	Nut,Hex,M10x1.5,304SS,DIN 934	6	----	----	----	40149	40149
80	Impeller Collar	1	----	----	205513	----	----
82	Upper Pump Housing (Matching Casing)	1	----	----	205514	----	----
88	Guide Vane	1	----	205297	----	205298	205298
88-SN	Stud, M12X65(13/25), SS304	8	----	206146	----	----	----
88-SN	Stud, M12X175(13/25), 304SS	8	----	----	206148	----	----
88-SN	Nut, M12-1.75, SS304	8	----	205796	205796	----	----
88U	Guide Vane, Upper	1	----	----	205294	----	----
88L	Guide Vane, Lower	1	----	----	205295	----	----
89	Stator Set Screw	2	----	----	----	205453	205453
89-P	Seal Washer, For Stator Set Screw	2	----	----	----	205555	205555
90	Seal Retainer (Seal Housing) - For Item at Pos.No.10	1	----	----	----	205484	205484
90-B	Bolt, Seal Retainer, M5X12, SS304	3	----	----	----	206141	206141
107	Seal Minder Probe (Water Penetration Detector)	1	205486	205486	205486	205488	205488
146	Bearing Retaining Nut + Ring (Washer)	1	205490	205491	205491	205493	205493
147	Bearing Collar	1	----	----	----	205495	205495
181	Labyrinth Seal	1	205393	205395	205395	205397	205397
-	Agitator	1	200086	200086	200086	205685	205685
	O-Ring Kit, Buna N	1	205267	205276	205296	205285	205290

1 - Some quantities vary per model: (#)



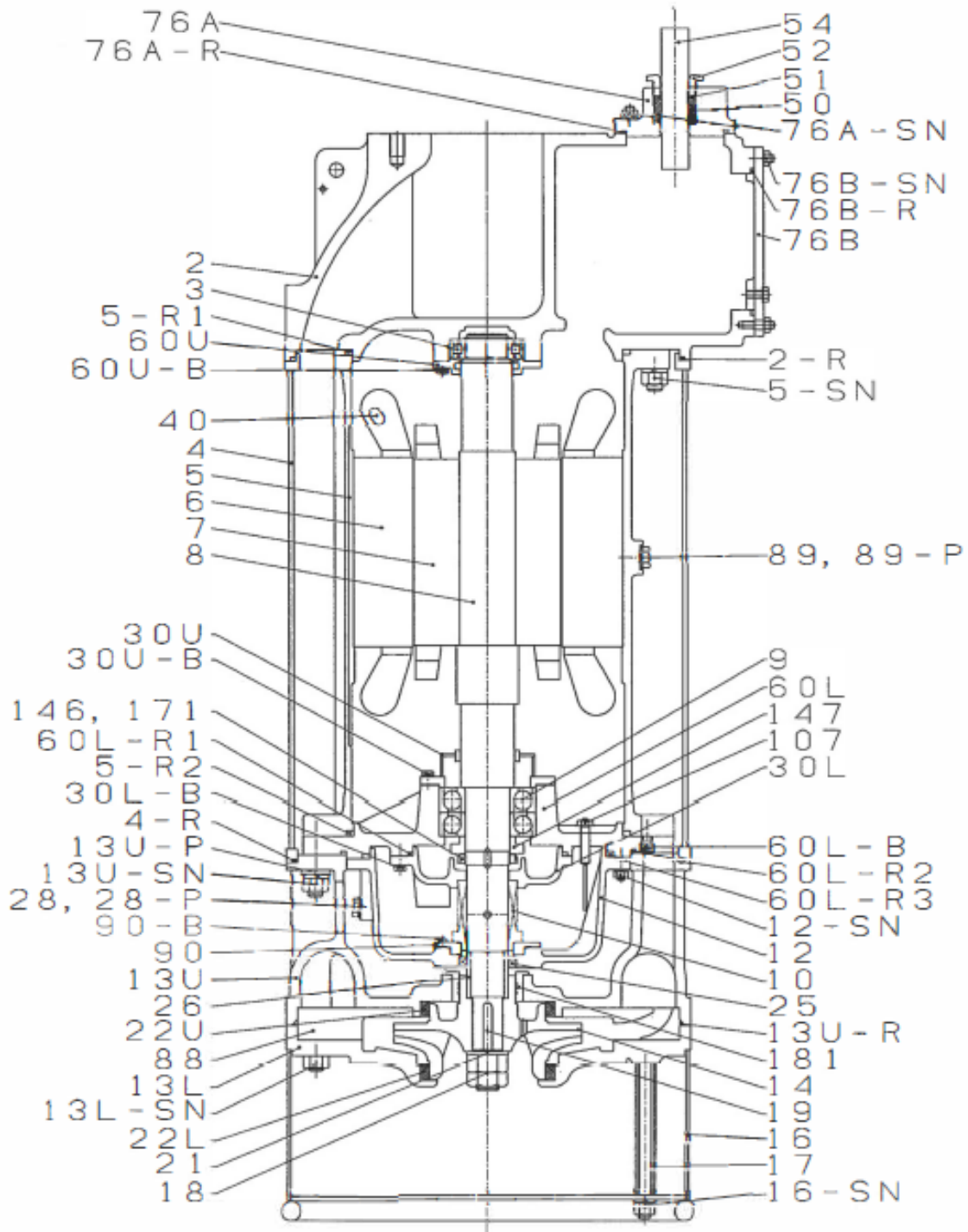
©2024 Industrial Flow Solutions Operating, LLC. All rights reserved.

Industrial Flow Solutions Operating, LLC • 104 John W Murphy Drive, New Haven, CT 06513, USA
(860) 631-3618 • www.flowsolutions.com



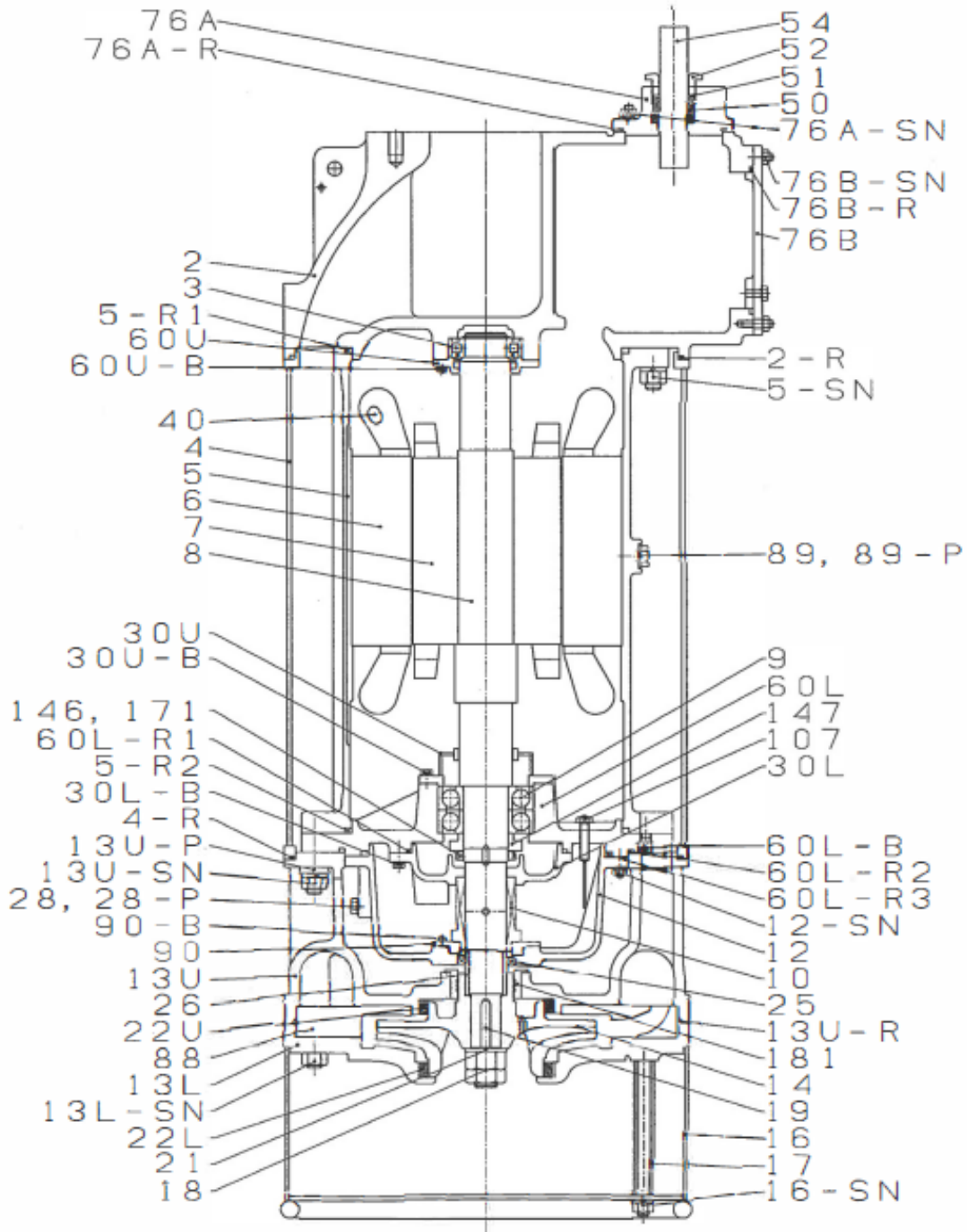
©2024 Industrial Flow Solutions Operating, LLC. All rights reserved.

Industrial Flow Solutions Operating, LLC • 104 John W Murphy Drive, New Haven, CT 06513, USA
(860) 631-3618 • www.flowsolutions.com



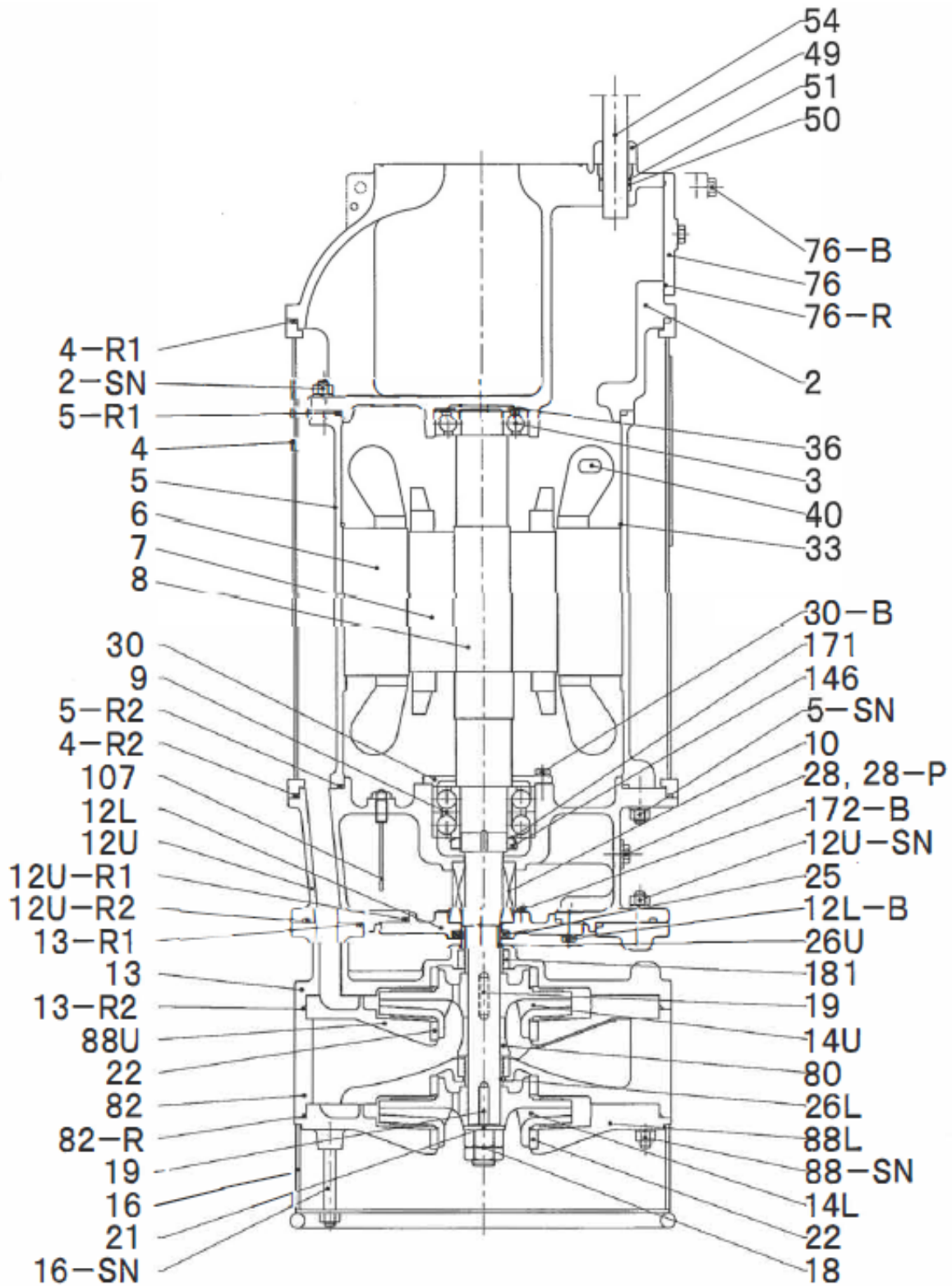
©2024 Industrial Flow Solutions Operating, LLC. All rights reserved.

Industrial Flow Solutions Operating, LLC • 104 John W Murphy Drive, New Haven, CT 06513, USA
(860) 631-3618 • www.flowsolutions.com



©2024 Industrial Flow Solutions Operating, LLC. All rights reserved.

Industrial Flow Solutions Operating, LLC • 104 John W Murphy Drive, New Haven, CT 06513, USA
(860) 631-3618 • www.flowsolutions.com



©2024 Industrial Flow Solutions Operating, LLC. All rights reserved.

Industrial Flow Solutions Operating, LLC • 104 John W Murphy Drive, New Haven, CT 06513, USA
(860) 631-3618 • www.flowsolutions.com