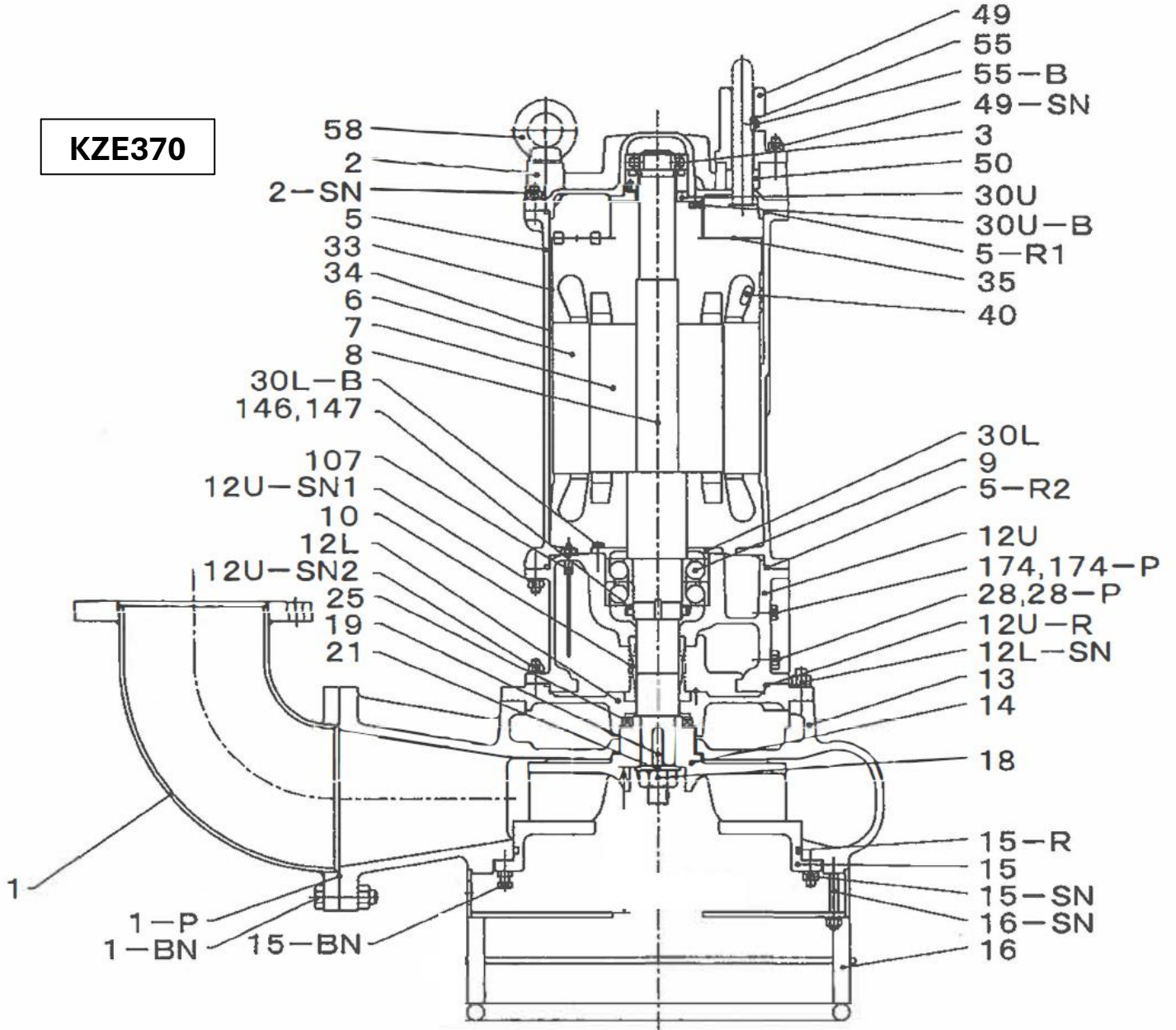




KZE370

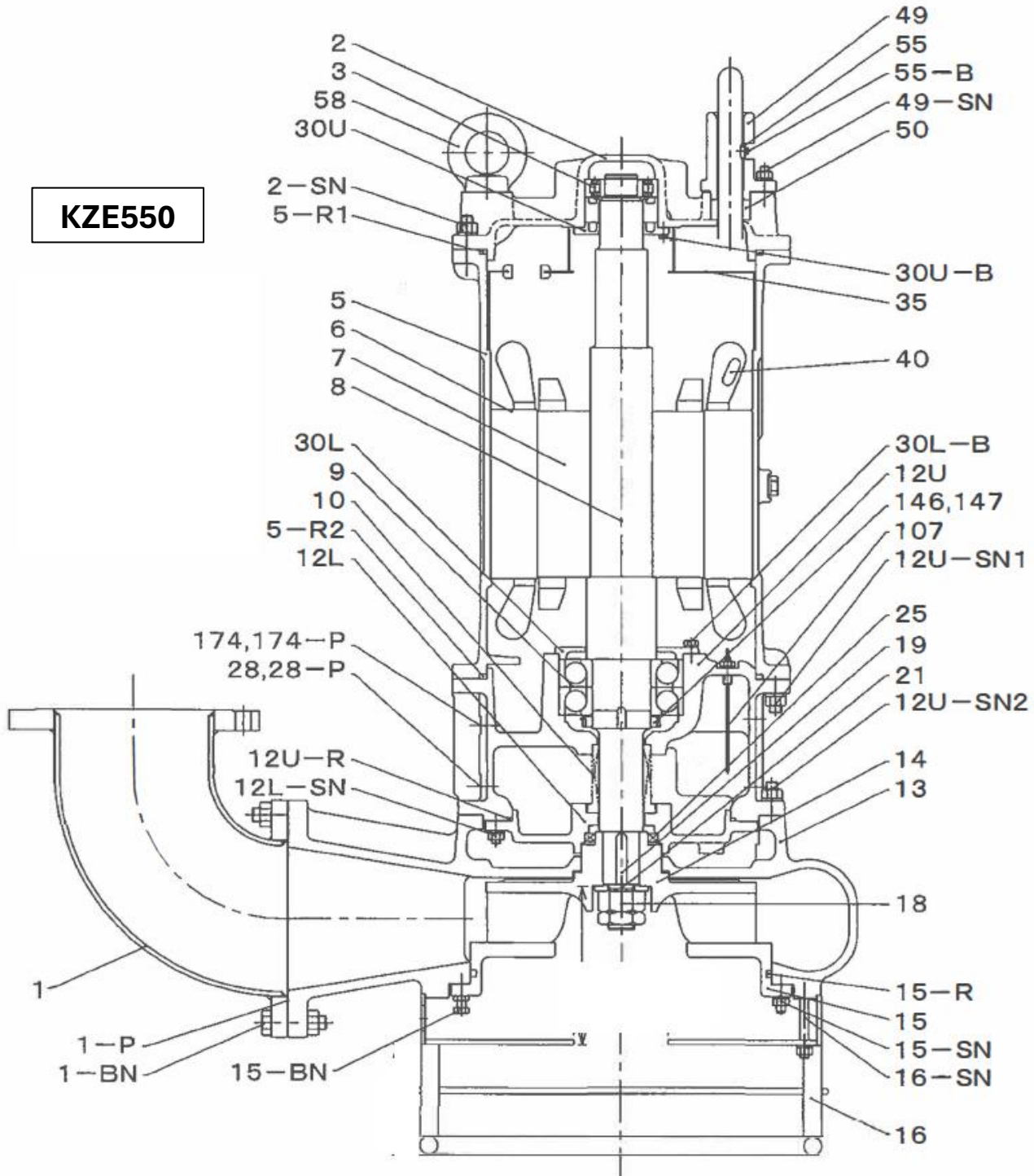


©2026 Industrial Flow Solutions Operating, LLC. All rights reserved.

Industrial Flow Solutions Operating, LLC • 104 John W Murphy Drive, New Haven, CT 06513, USA  
(860) 631-3618 • [www.flowsolutions.com](http://www.flowsolutions.com)



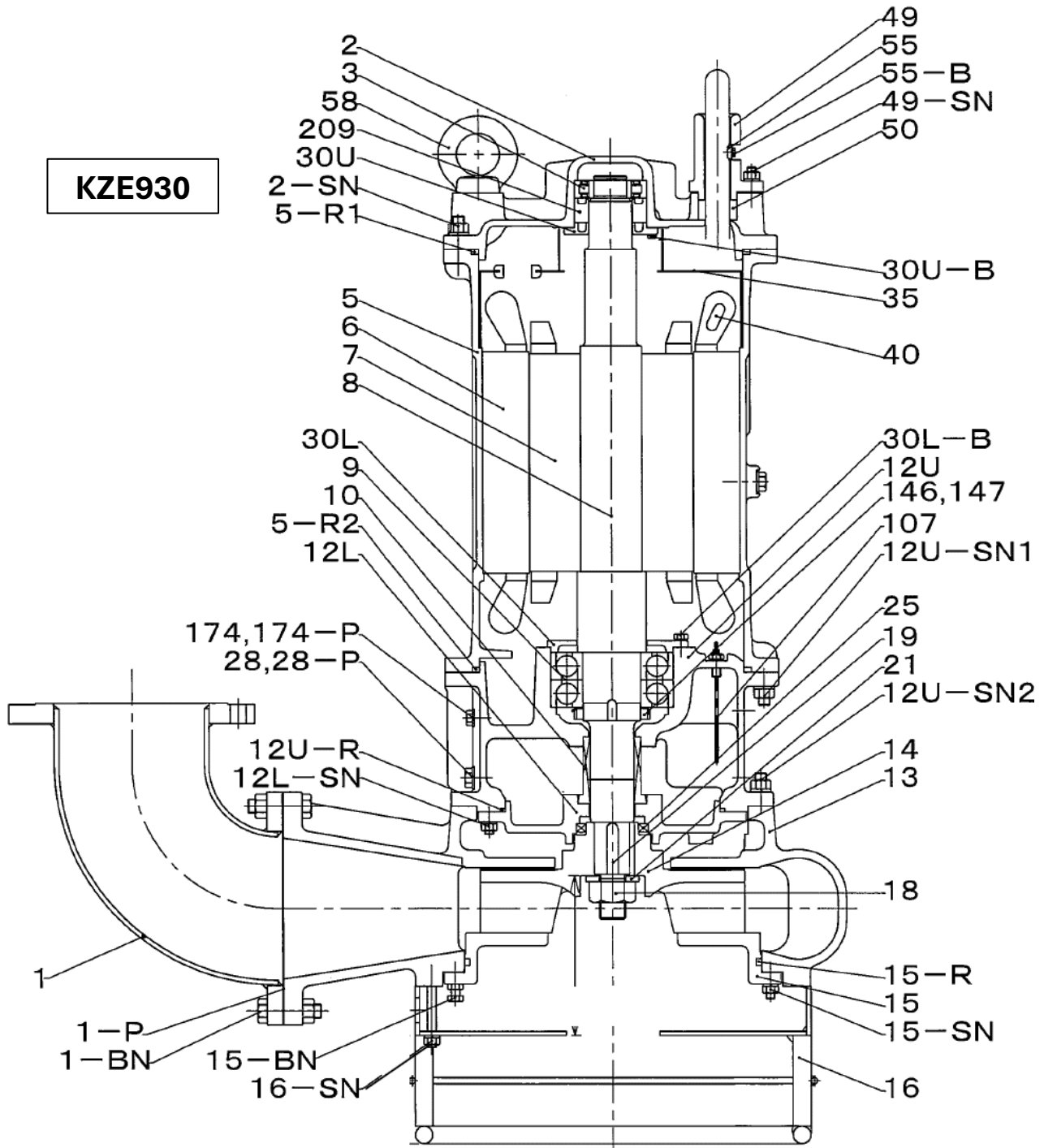
KZE550



©2026 Industrial Flow Solutions Operating, LLC. All rights reserved.

Industrial Flow Solutions Operating, LLC • 104 John W Murphy Drive, New Haven, CT 06513, USA  
(860) 631-3618 • [www.flowsolutions.com](http://www.flowsolutions.com)





©2026 Industrial Flow Solutions Operating, LLC. All rights reserved.

Industrial Flow Solutions Operating, LLC • 104 John W Murphy Drive, New Haven, CT 06513, USA  
(860) 631-3618 • [www.flowsolutions.com](http://www.flowsolutions.com)



Pos	Part Description	Qty	Pump Model			
			KZE370	KZE550	KZE750	KZE930
1	8" ANSI Discharge Connection	1	205665	205565	205565	205665
1-BN	Bolt, M20 X 75, S304	12	206214	206214	206214	206214
1-BN	Nut, M20 T=16, S304	12	206152	206152	206152	206152
1-P	Packing	1	Kit	Kit	Kit	Kit
2	Top Cover (Upper Casing)	1	205569	205570	205571	205571
2-SN	Stud, M12 X 50(13/22), 304SS	8	206145	---	---	---
2-SN	Stud, M16X65(18/35), 304SS	8	---	206226	206226	206226
2-SN	Nut, M12-1.75, SS304	8	205796	---	---	---
2-SN	Nut, M16 T=13, SS304	8	---	206227	206227	206227
3	Bearing, Upper	1	203935	203945	203945	203945
6 & 5	Stator 460/3/60, with Motor Housing	1	205842	206207	205620	205848
6 & 5	Stator 575/3/60, with Motor Housing	1	205843	206237	205621	205849
5-R1	Packing	1	Kit	Kit	Kit	Kit
5-R2	Packing	1	Kit	Kit	Kit	Kit
7 & 8	Rotor 460 & 575/3/60, with Shaft	1	205844	206238	205622	206239
9	Bearing, Lower	1	203941	203951	203951	203951
10	Double Mechanical Seal	1	204705	204705	204705	204705
12U	Oil Chamber (Upper Oil Box)	1	206183	205566	205566	205566
12U-SN1	Stud, M12X50(13/22), 304SS	8	206145	---	---	---
12U-SN1	Stud, M16X65(18/35), 304SS	8	---	206226	206226	206226
12U-SN1	Nut, M12-1.75, SS304	8	205796	---	---	---
12U-SN1	Nut, M16 T=13, SS304	8	---	206227	206227	206227
12U-SN2	Stud, M12 X 50(13/22), 304SS	8	206145	---	---	---
12U-SN2	Stud, M16X65(18/35), 304SS	8	---	206226	206226	206226
12U-SN2	Nut, M12-1.75, SS304	8	205796	---	---	---
12U-SN2	Nut, M16 T=13, SS304	8	---	206227	206227	206227
12-UR	O-Ring	1	Kit	Kit	Kit	Kit
12L	Oil Chamber Cover (Lower Oil Box)	1	206036	205770	205770	205770
12L-SN	Stud, M12 X 50 (13/22), 304SS	6	---	---	---	---
12L-SN	Stud, M16X65(18/35), 304SS	8	206226	---	---	---
12L-SN	Stud, M12 X 45(13/22)	6	---	206144	206144	206144
12L-SN	Nut, M12-1.75, SS304	6	---	205796	205796	205796
12L-SN	Nut, M16 T=13, SS304	8	206227	---	---	---
13	Pump Casing	1	206155	206154	205564	205564
14	Impeller, High Chrome	1	203944	203954	204709	204710

©2026 Industrial Flow Solutions Operating, LLC. All rights reserved.

Industrial Flow Solutions Operating, LLC • 104 John W Murphy Drive, New Haven, CT 06513, USA  
(860) 631-3618 • [www.flowsolutions.com](http://www.flowsolutions.com)



Pos	Part Description	Qty	Pump Model			
			KZE370	KZE550	KZE750	KZE930
15	Cover, Suction (Wear Plate)	1	203953	203953	204707	204707
15-BN	Bolt, M12X40, S304	6	206225	206225	206225	206225
15-BN	Nut, M12-1.75, SS304	6	205796	205796	205796	205796
15-P	Packing	2	Kit	Kit	Kit	Kit
15-R	O-Ring	1	Kit	Kit	Kit	Kit
15-SN	Stud, M12 X 50 (13/22), 304SS	6	---	---	---	206145
15-SN	Stud, M12-1.75X55(13/25)MM, SS304	6	205905	205905	---	205905
15-SN	Stud, M12-X55(13/22)MM, SS304	6	---	---	206228	---
15-SN	Nut, M12-1.75, SS304	6	205796	205796	205796	205796
16	Strainer	1	205625	205625	205625	205625
16-SN	Stud, M12X100(13/25), 304SS	4	206230	206230	206230	206230
16-SN	Nut, M12-1.75, SS304	4	205796	205796	205796	205796
18	Impeller Nut, SS304	1	205847	205767	205767	205767
19	Impeller Key	1	206184	206185	206186	206186
21	Impeller Washer	1	205840	205846	205846	205846
--	Agitator	1	203453	203453	203453	203453
25	Lip Seal (Dust Seal), NBR	1	205626	205626	205626	205626
28	Oil Plug (Screw), Oil Chamber	3	206216	206216	206216	206216
28-P	Seal Washer, Oil Plug, BUNA	1	Kit	Kit	Kit	Kit
30-U	Upper Bearing Cover	1	205737	206187	206187	206187
30-UB	Bolt, M8 X 25, MILD STEEL	4	206139	---	---	---
30-UB	Bolt, M6 X 25, MILD STEEL	4	---	206221	206221	206221
30L	Lower Bearing Cover	1	206188	206189	206189	206189
30L-B	Bolt, M8 X 25, MILD STEEL	4	206139	---	---	---
30L-B	Bolt, M10X25, MILD STEEL	4	--	206222	206222	206222
33	Stator Set Snap Ring	1	206190	---	---	---
34	Stator Set Key	1	206191	---	---	---
35	Insulation Board	1	206198	205567	205567	205567
40	Thermal Detector	1	206199	206199	206199	206199
49	Bell Mouth for Power Cable	1	205727	205728	205627	205627
	Bell Mouth for Control Cable	1	205628	205628	205628	205628
49-SN	Stud, M12 X 50 (13/22), 304SS	3	206145	206145	206145	206145
49-SN	Nut, M12-1.75, SS304	3	205796	205796	205796	205796
49-SN	Stud, M12 X 45 (12/22), 304SS	3	206143	206143	206143	206143
49-SN	Nut,Hex,M10x1.5,304SS,DIN 934	2	40149	40149	40149	40149

©2026 Industrial Flow Solutions Operating, LLC. All rights reserved.

Industrial Flow Solutions Operating, LLC • 104 John W Murphy Drive, New Haven, CT 06513, USA  
(860) 631-3618 • [www.flowsolutions.com](http://www.flowsolutions.com)



Pos	Part Description	Qty	Pump Model			
			KZE370	KZE550	KZE750	KZE930
50	Cable Packing for Power Cable, NBR	1	205671	205672	205629	205629
50	Cable Packing for Control Cable, NBR	1	205731	205630	205630	205630
55	Cable Clamp For Power Cable	1	206200	206200	206200	206200
56	Cable Clamp For Control Cable	1	206201	206201	206201	206201
55-B	Bolt, M6X20, S304	2	206223	206223	206223	206223
55-B	Bolt, M5X16, S304	2	206224	206224	206224	206224
58	Eye Bolt	2	205732	205732	205732	205732
89	Stator Set Bolt	2	---	206217	206217	206217
89-P	Seal Washer, BUNA	2	---	205927	205927	205927
107	Moisture Sensor	1	206203	206203	206203	206203
146	Bearing Nut	1	206232	206233	206233	206233
147	Bearing Washer	1	206235	206236	206236	206236
174	Drain Plug, M12 X 20	1	206218	206218	206218	206218
174-P	Seal, Washer, Drain Plug WF-12, NBR	1	Kit	Kit	Kit	Kit
O Ring Kit, BUNA-N		1	203936	203946	203946	203946

©2026 Industrial Flow Solutions Operating, LLC. All rights reserved.

Industrial Flow Solutions Operating, LLC • 104 John W Murphy Drive, New Haven, CT 06513, USA  
(860) 631-3618 • [www.flowsolutions.com](http://www.flowsolutions.com)