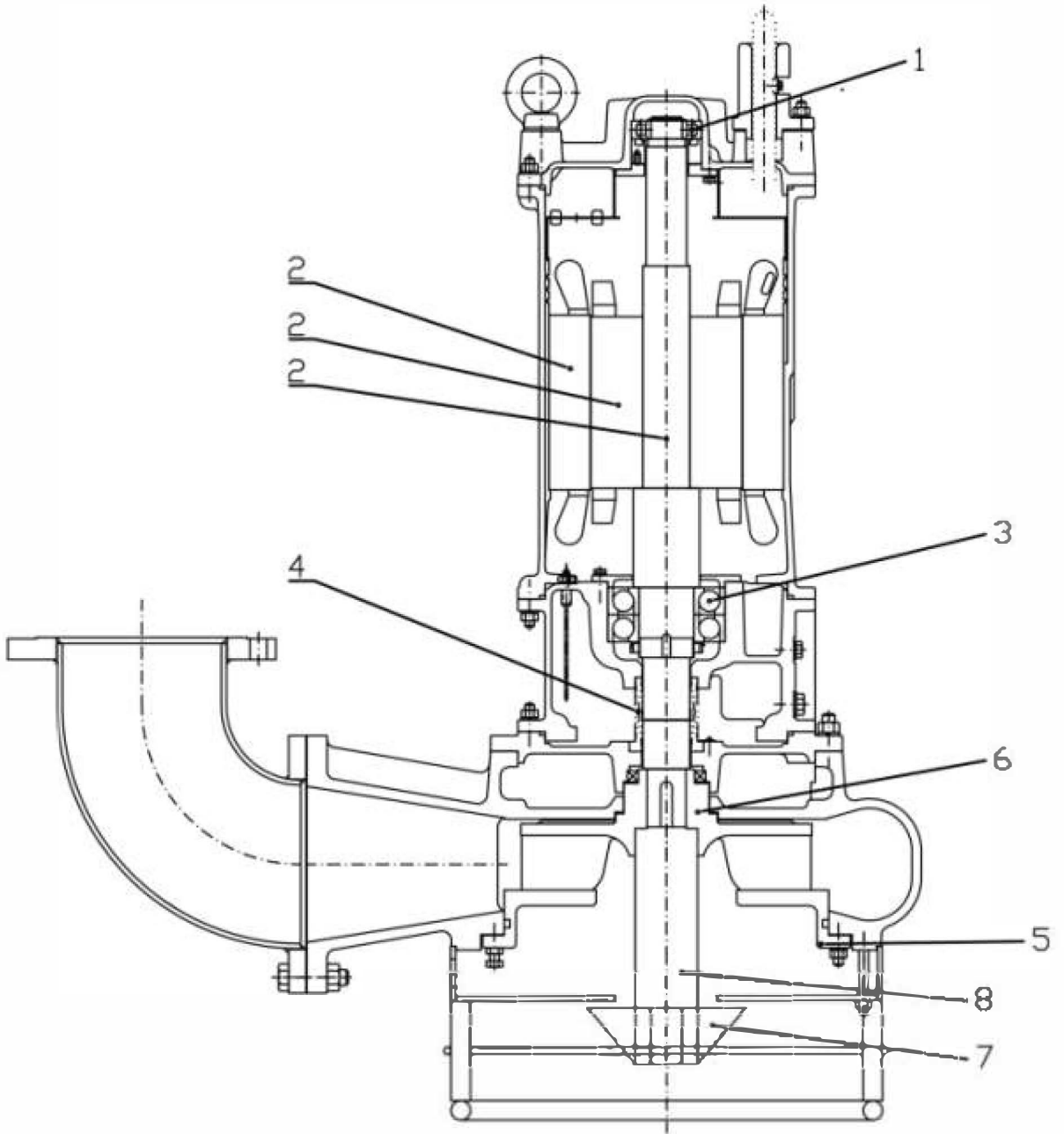


KZE-SERIES

	Pump Model	KZE370	KZE550	KZE750	KZE930
Pos. No.	Part Description	Item #	Item #	Item #	Item #
1	Bearing, Upper	203935	203945	203935	203935
2	Stator, Rotor 460/3/60	203937	203947	204697	204699
2	Stator, Rotor 575/3/60	203938	203948	204698	204700
2	Stator, Rotor Shaft 460/3/60	203939	203949	204701	204703
2	Stator, Rotor Shaft 575/3/60	203940	203950	204702	204704
3	Bearing, Lower	203941	203951	203951	203951
4	Seal, Double Mech, Buna, Si-Si	203942	203952	204705	204706
5	Cover, Suction, Wear Plate	203943	203953	204707	204708
6	Impeller, High Chrome	203944	203954	204709	204710
7	Agitator	203453	203453	204474	204474
8	Adaptor, Agitator	203460	203461	203461	203461
O-ring Kit, Buna N		203936	203946	204711	204711

**All 1 HP and up BJM Pumps® mechanical seal elastomer material is FKM

EXPLODED VIEW OF KZE 370



EXPLODED VIEW OF KZE 550/750/930

