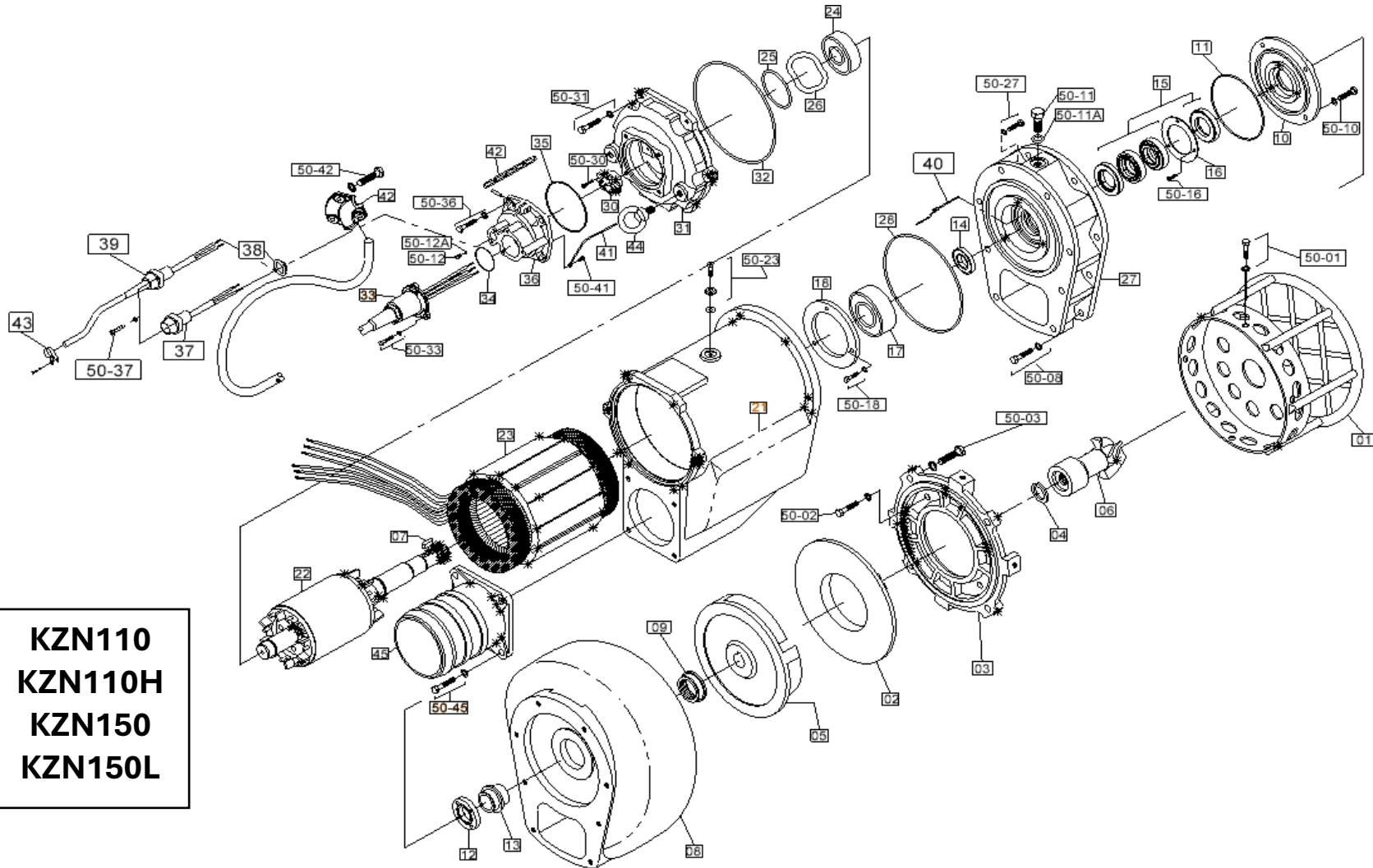


KZN37
KZN55
KZN55H
KZN75

©2026 Industrial Flow Solutions Operating, LLC. All rights reserved.

Industrial Flow Solutions Operating, LLC • 104 John W Murphy Drive, New Haven, CT 06513, USA

(860) 631-3618 • www.flowsolutions.com

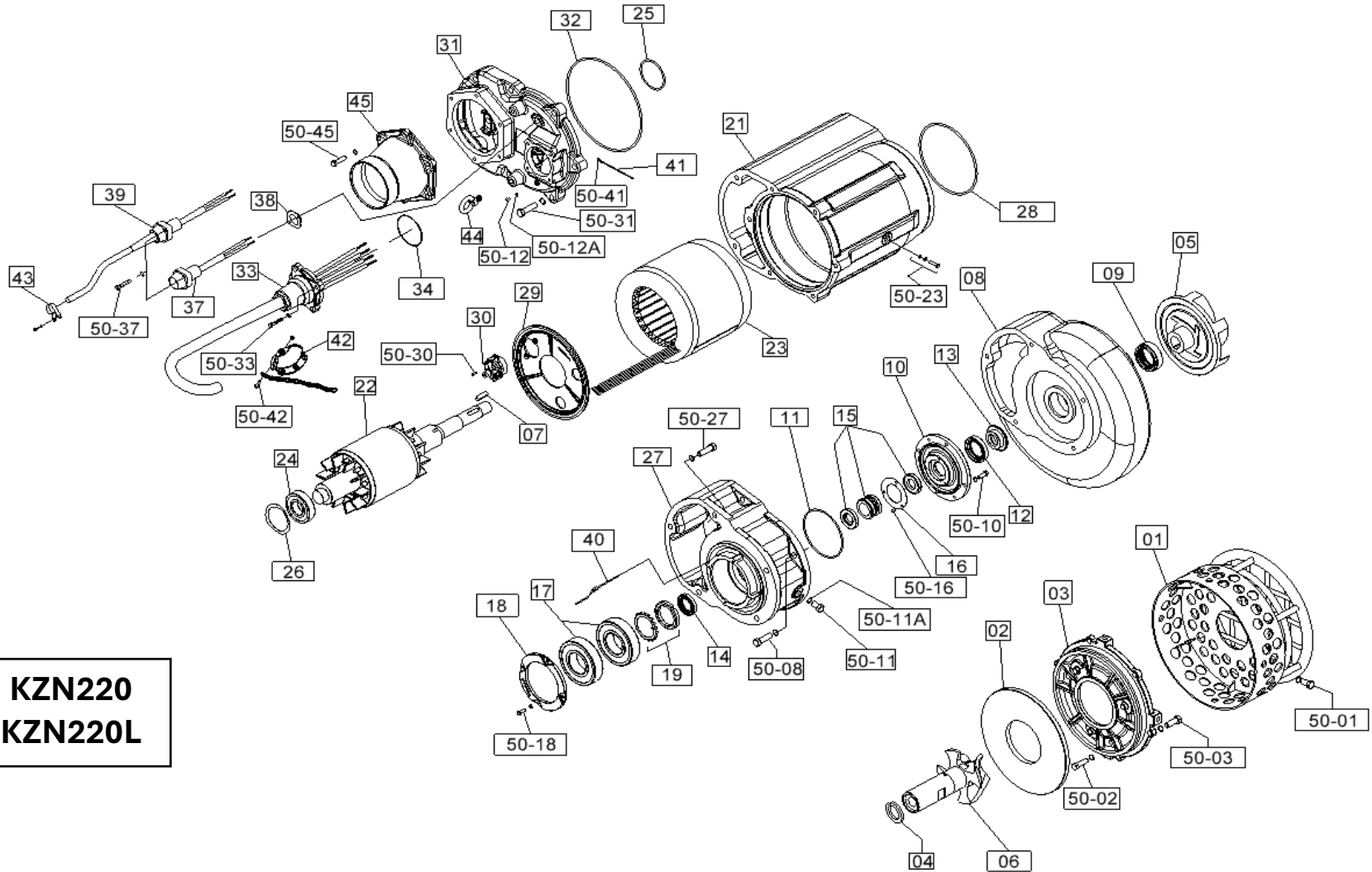


**KZN110
KZN110H
KZN150
KZN150L**

©2026 Industrial Flow Solutions Operating, LLC. All rights reserved.

Industrial Flow Solutions Operating, LLC • 104 John W Murphy Drive, New Haven, CT 06513, USA

(860) 631-3618 • www.flowsolutions.com

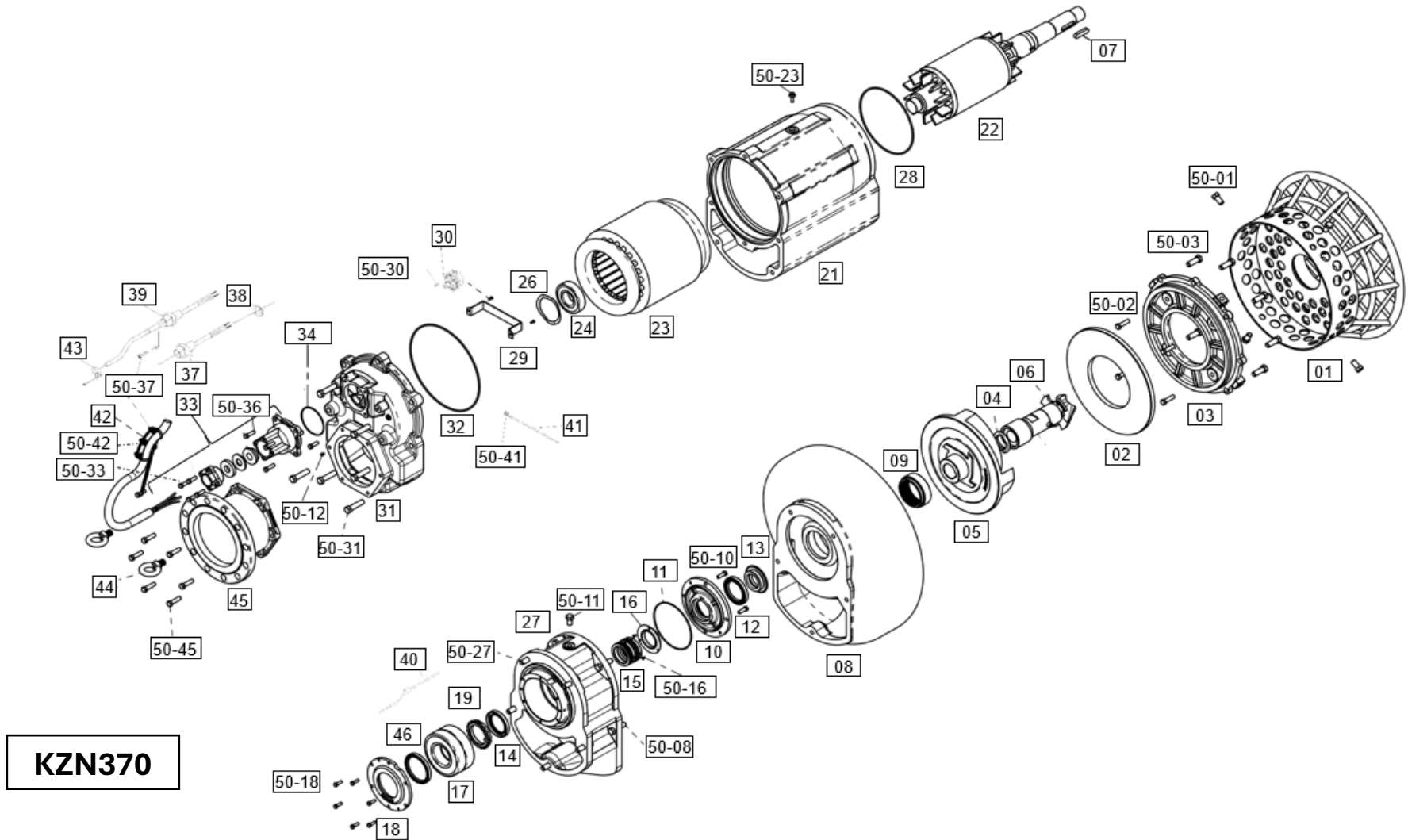


KZN220
KZN220L

©2026 Industrial Flow Solutions Operating, LLC. All rights reserved.

Industrial Flow Solutions Operating, LLC • 104 John W Murphy Drive, New Haven, CT 06513, USA

(860) 631-3618 • www.flowsolutions.com



©2026 Industrial Flow Solutions Operating, LLC. All rights reserved.

Industrial Flow Solutions Operating, LLC • 104 John W Murphy Drive, New Haven, CT 06513, USA

(860) 631-3618 • www.flowsolutions.com



Pump Model

Pos	Part Description	Qty	Pump Model										
			KZN37	KZN55	KZN55H	KZN75	KZN110	KZN110H	KZN150	KZN150L	KZN220	KZN220L	KZN370
01	Stand w/ Strainer Plate	1	201982	201982	201983	201982	201981	201981	201981	201981	201984	201984	205691
02	Wear Plate	1	202018	202018	202019	202018	202016	202016	202016	202867	202030	202030	205692
03	Suction Cover	1	202869	202869	202870	202873	202874	202874	202874	202875	202876	202877	205693
04	Lock Washer	1	202917	202917	202917	202917	202918	202918	202918	202918	202919	202919	205694
05	Impeller	1	202976	202977	202979	202980	202981	202982	202972	202973	202974	202975	205695
06	Agitator	1	202983	202983	202983	202983	202984	202984	202984	202984	202985	202985	205696
07	Impeller Key	1	202146	202146	202146	202146	202147	202147	202147	202147	202986	202986	205697
08	Pump Housing	1	202191	202191	203026	202191	202203	202203	202203	202203	203034	203034	205698
09	Pump Housing Sleeve	1	202182	202182	202182	202182	202183	202183	202183	202183	202184	202184	205699
10	Oil Chamber Cover	1	202225	202225	202225	202225	202227	202227	202227	202227	203049	203049	205700
11	O-Ring (Kit Only)	1	Kit	Kit	Kit	Kit	Kit	Kit	Kit	Kit	Kit	Kit	Kit
12	Lip Seal, Buna N	1	202248	202248	202248	202248	202251	202251	202251	202251	202244	202244	205701
12	Lip Seal, FKM (Optional)	1	202250	202250	202250	202250	202254	202254	202254	202254	202246	202246	-
12	Lip Seal, EPDM (Optional)	1	204647	204647	204647	204647	204648	204648	204648	204648	-	-	-
13	Shaft Sleeve	1	203071	203071	203071	203071	203072	203072	203072	203072	203073	203073	205702
14	Upper Lip Seal Buna N	1	-	-	-	-	202252	202252	202252	202252	203063	203063	205705
14	Upper Lip Seal, FKM	1	-	-	-	-	202253	202253	202253	202253	-	-	-
15	Mech. Seals - Set FKM	1	200419	200419	200419	200419	200433	200433	200433	200433	200433	200433	205706
16	Mech. Seal Retainer	1	-	-	-	-	202272	202272	202272	202272	202272	202272	205707
17	Lower Ball Bearing	1	200963	200963	200963	200963	200964	200964	200964	200964	-	-	-
17	Lower Ball Bearing	2	-	-	-	-	-	-	-	-	200965	200965	200965
18	Lower Bearing Retainer	1	202276	202276	202276	202276	202277	202277	202277	202277	202278	202278	202278
19	Retaining Locknut & Ring	1	-	-	-	-	-	-	-	-	202275	202275	202275
20	Impeller Shim Kit (Required)	1	200475	200475	200475	200475	200476	200476	200476	200476	200477	200477	-
21	Motor Housing	1	202295	202295	202295	203081	203082	203082	203082	203082	203083	203083	203083
22	Rotor w/ Shaft, 3 phase	1	202349	202350	202350	202351	202352	202352	202352	202353	202354	202354	205709

©2026 Industrial Flow Solutions Operating, LLC. All rights reserved.

Industrial Flow Solutions Operating, LLC • 104 John W Murphy Drive, New Haven, CT 06513, USA

(860) 631-3618 • www.flowsolutions.com



Pump Model

Pos	Part Description	Qty	Pump Model										
			KZN37	KZN55	KZN55H	KZN75	KZN110	KZN110H	KZN150	KZN150L	KZN220	KZN220L	KZN370
23	Stator 230V/460V 3 phase	1	200681	200683	200683	200685	200687	200687	-	-	-	-	-
23	Stator 460V 3 phase	1	-	-	-	-	-	-	200689	200689	200691	200691	205710
23	Stator 575V, 3 phase	1	200695	200697	200697	200699	200693	200693	200701	200701	200703	200703	-
24	Upper Ball Bearing	1	200968	200968	200968	200968	200968	200968	200968	200968	200962	200962	200962
25	O-Ring (Kit Only)	1	Kit	Kit	Kit	Kit	Kit	Kit	Kit	Kit	Kit	Kit	Kit
26	Spring Washer	1	202362	202362	202362	202362	202362	202362	202362	202362	202363	202363	202363
27	Lower Bearing Housing	1	202377	202377	202377	202377	202371	202371	202371	202371	202372	202372	205711
28	O-Ring (Kit Only)	1	Kit	Kit	Kit	Kit	Kit	Kit	Kit	Kit	Kit	Kit	Kit
29	Winding Separator	1	-	-	-	-	-	-	-	-	202381	202381	205712
30	Overload 230V, 3PH	1	202392	202394	202394	202396	202397	202397	-	-	-	-	-
30	Overload 460V, 3PH	1	202391	202393	202393	202394	202398	202398	202397	202397	202400	202400	205713
30	Overload 575V, 3 PH	1	202389	202391	202391	202393	202394	202394	202398	202398	202397	202397	-
31	Pump Top Cover	1	203136	203136	203136	203136	203137	203137	203137	203137	203138	203138	205714
32	O-Ring (Kit Only)	1	Kit	Kit	Kit	Kit	Kit	Kit	Kit	Kit	Kit	Kit	Kit
33	Power Cord Set (5 lead)	1	203452	203455	203455	203455	203456	203456	203456	203456	203457	203457	205823
34	O-Ring (Kit Only)	1	Kit	Kit	Kit	Kit	Kit	Kit	Kit	Kit	Kit	Kit	Kit
35	O-Ring (Kit Only)	1	Kit	Kit	Kit	Kit	Kit	Kit	Kit	Kit	-	-	-
36	Cable Entry Housing	1	203429	203429	203429	203429	203429	203429	203429	203429	-	-	-
37	Seal Minder® cap	1	201717	201717	201717	201717	201717	201717	201717	201717	201717	201717	201717
38	O-Ring (Kit Only)	1	Kit	Kit	Kit	Kit	Kit	Kit	Kit	Kit	Kit	Kit	Kit
39	Seal Minder® cord, (Optional)	1	201714	201714	201714	201714	201714	201714	201714	201714	201714	201714	201714
40	Seal Minder® Sensor w/ wire	1	203114	203114	203114	203114	203464	203464	203464	203464	203465	203465	203465
41	Ground Wire w/ Ring Term.	1	203145	203145	203145	203145	203145	203145	203145	203145	203145	203145	203145
42	Power Cable Strain Relief	1	202497	202506	202506	202506	202500	202500	202500	202500	202496	202496	202496
43	Seal Minder® Cord Line Clip	1	203163	203163	203163	203163	203163	203163	203163	203163	203163	203163	203163
44	Lift Ring	1	203172	203172	203172	203172	203173	203173	203173	203173	203173	203173	203173

©2026 Industrial Flow Solutions Operating, LLC. All rights reserved.

Industrial Flow Solutions Operating, LLC • 104 John W Murphy Drive, New Haven, CT 06513, USA

(860) 631-3618 • www.flowsolutions.com



Pump Model

Pos	Part Description	Qty	Pump Model										
			KZN37	KZN55	KZN55H	KZN75	KZN110	KZN110H	KZN150	KZN150L	KZN220	KZN220L	KZN370
45	3" NPT Male Coupling Flange	1	202583	202583	202583	-	-	-	-	-	-	-	-
45	4" NPT Male Coupling Flange	1	202585	202585	202585	202585	-	202589	-	-	-	-	-
45	6" NPT Male Coupling Flange	1	-	-	-	-	202587	-	202587	202587	202592	202592	202592
45	8" Coupling Flange	1	-	-	-	-	-	-	-	-	202590	202590	-
45	3" Hose Barb Fitting	1	202584	202584	202584	-	-	-	-	-	-	-	-
45	4" Hose Barb Fitting	1	202586	202586	202586	202586	-	-	-	-	-	-	-
45	6" Hose Barb Fitting	1	-	-	-	-	202588	-	202588	202588	202593	202593	-
45	8" Hose Barb Fitting	1	-	-	-	-	-	-	-	-	202591	202591	-
46	Lower Bearing Spacer	1	-	-	-	-	-	-	-	-	-	-	206507
50-01	Bolt - Stand	4	203258	203258	203258	203258	203258	203258	203258	203258	203266	203266	203266
50-02	Bolt - Wear Plate	4	203253	203253	203253	203253	203253	203253	203253	203253	-	-	203273
50-02	Bolt - Wear Plate	3	-	-	-	-	-	-	-	-	203272	203272	-
50-03	Bolt - Suction Cover	4	203236	203236	203236	203236	203236	203236	203236	203236	203236	203236	-
50-03	Bolt - Suction Cover	8	-	-	-	-	-	-	-	-	-	-	203224
50-08	Bolt - Pump Housing	6	203271	203271	203271	203271	-	-	-	-	-	-	-
50-08	Bolt - Pump Housing	5	-	-	-	-	-	-	-	-	203273	203273	203269
50-08	Bolt - Pump Housing	8	-	-	-	-	203236	203236	203236	203236	-	-	-
50-10	Bolt - Oil Chamber Cover	4	203229	203229	203229	203229	203229	203229	203229	203229	203262	203262	203262
50-11	Bolt - Oil Inspection	1	203261	203261	203261	203261	203261	203261	203261	203261	203268	203268	205704
50-11A	O-Ring (Kit Only)	1	Kit	Kit	Kit	Kit	Kit	Kit	Kit	Kit	Kit	Kit	Kit
50-12	Screw - Pressure Test	1	203218	203218	203218	203218	203218	203218	203218	203218	203218	203218	205703
50-12A	O-Ring (Kit Only)	1	Kit	Kit	Kit	Kit	Kit	Kit	Kit	Kit	Kit	Kit	Kit
50-16	Screw - Seal Retainer	4	203214	203214	203214	203214	-	-	-	-	-	-	-
50-16	Screw - Seal Retainer	3	-	-	-	-	203214	203214	203214	203214	203214	203214	203214
50-18	Bolt - Bearing Retainer	3	203249	203249	203249	203249	203249	203249	203249	203249	203249	203249	203229
50-23	Stator lock bolt, ring, O-Ring	1	202806	202806	202806	202806	202807	202807	202807	202807	202808	202808	205708

©2026 Industrial Flow Solutions Operating, LLC. All rights reserved.

Industrial Flow Solutions Operating, LLC • 104 John W Murphy Drive, New Haven, CT 06513, USA

(860) 631-3618 • www.flowsolutions.com



Pump Model

Pos	Part Description	Qty	Pump Model										
			KZN37	KZN55	KZN55H	KZN75	KZN110	KZN110H	KZN150	KZN150L	KZN220	KZN220L	KZN370
50-27	Bolt - Bearing Housing	4	203229	203229	203229	203229	-	-	-	-	-	-	-
50-27	Bolt - Bearing Housing	8	-	-	-	-	203271	203271	203271	203271	-	-	-
50-27	Bolt - Bearing Housing	5	-	-	-	-	-	-	-	-	203269	203269	203269
50-30	Bolt - Overload Protector	2	202700	202700	202700	202700	202700	202700	202700	202700	202700	202700	203216
50-31	Bolt-Top Cover	4	203243	203243	203243	203243	-	-	-	-	-	-	-
50-31	Bolt-Top Cover	6	-	-	-	-	203243	203243	203243	203243	-	-	-
50-31	Bolt-Top Cover	8	-	-	-	-	-	-	-	-	203270	203270	203277
50-33	Bolt - Power Cord	3	203256	203256	203256	203256	203256	203256	203256	203256	-	-	-
50-33	Bolt - Power Cord	4	-	-	-	-	-	-	-	-	203262	203262	203262
50-36	Bolt - Power Cord Housing	4	203262	203262	203262	203262	203262	203262	203262	203262	-	-	203243
50-37	Bolt - Seal Minder®	2	203216	203216	203216	203216	203216	203216	203216	203216	203216	203216	203216
50-41	Screw - Ground Wire	1	202692	202692	202692	202692	202692	202692	202692	202692	202692	202692	202692
50-42	Bolt- Cable Strain Relief	3	203246	203246	203246	203246	203256	203256	203256	203256	203264	203264	203256
50-45	Bolt - Discharge Flange	4	203262	203262	203262	203262	203260	203260	203260	203260	203265	203265	203265
O-Ring Kit - Buna N		1	202653	202653	202653	202653	202656	202656	202656	202656	203203	203203	205715
O-Ring Kit - FKM (Optional)		1	202655	202655	202655	202655	202657	202657	202657	202657	202658	202658	-

©2026 Industrial Flow Solutions Operating, LLC. All rights reserved.

Industrial Flow Solutions Operating, LLC • 104 John W Murphy Drive, New Haven, CT 06513, USA

(860) 631-3618 • www.flowsolutions.com