

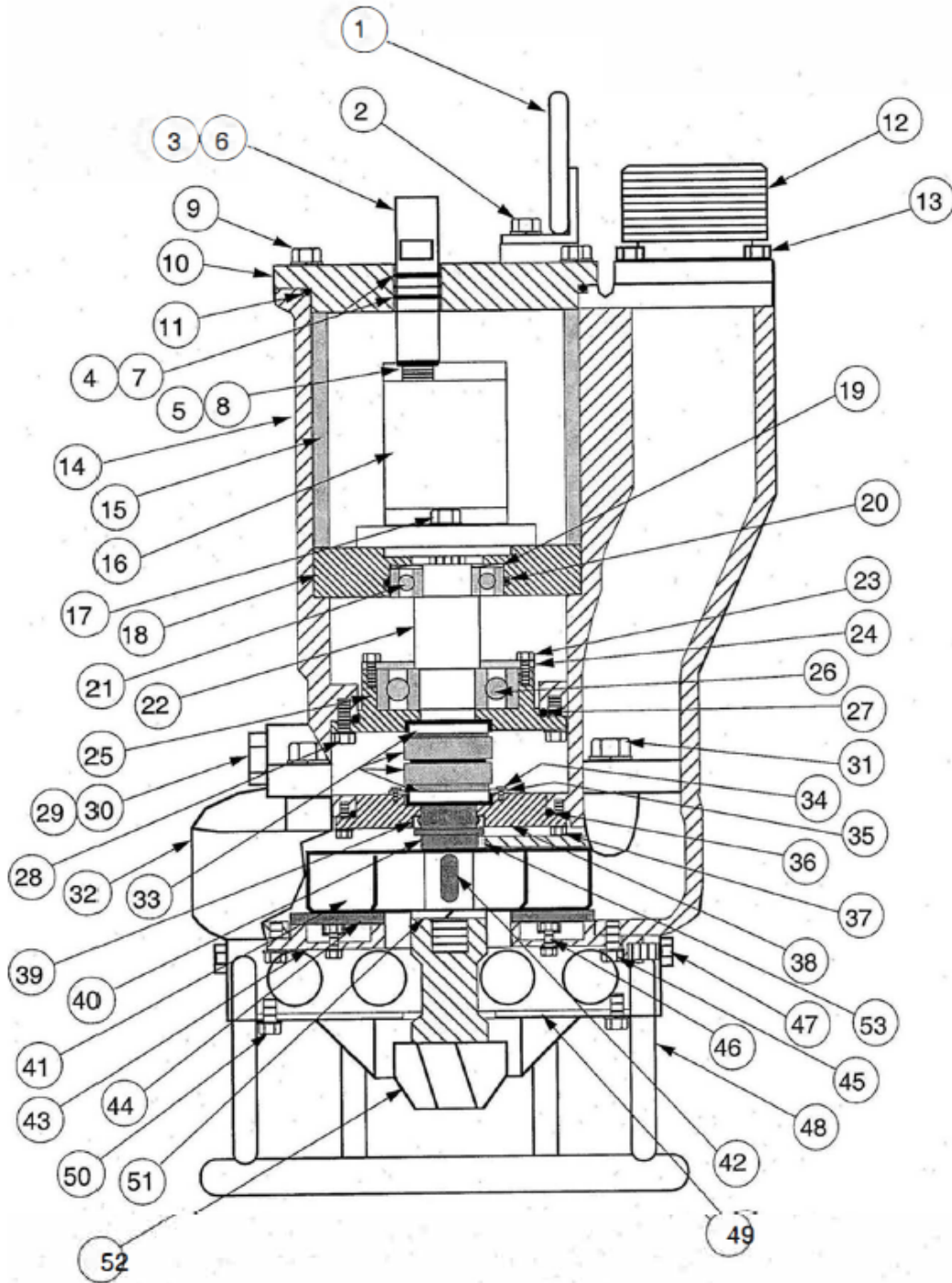


Pos	Part Description	Qty <sup>1</sup>	Pump Model		
			HYD-3	HYD-4	HYD-6
09	Bolt-Top Cover	#	203243 (x4)	203243 (x4)	203243 (x6)
12	3" NPT Male Coupling Flange	1	202583	202585	202587
13	Bolt-Discharge Flange	4	203262	203262	203260
14	Motor Housing	1	202295	202295	203082
19	Spring Washer	1	202361	202361	202362
21	Upper Ball Bearing	1	200968	200968	200968
22	Shaft	1	200469	200469	200470
23	Bolt-Bearing Retainer	#	203220 (x3)	203220 (x3)	203220 (x4)
24	Lower Bearing Retainer	1	202276	202276	202277
25	Lower Bearing Housing	1	202377	202377	202371
26	Lower Ball Bearing	1	200963	200963	200964
27	Upper Lip Seal	1	----	----	202252
28	Bolt-Bearing Housing	#	203229 (x4)	203229 (x4)	203260 (x8)
29	Bolt-Oil Inspection	1	203261	203261	203261
31	Bolt -Pump Housing	#	203271 (x6)	203271(x6)	203260 (x8)
32	Pump Housing	1	202191	202191	202203
32	Pump Housing Hardened (optional)	1	202193	202193	202204
33	Mech. Seals-set	1	200419	200419	200433
34	Screw-Seal Retainer	4	203214	203214	203214
35	Mech. Seal Retainer	1	202271	202271	202272
37	Bolt-Oil Chamber Cover	4	203229	203229	203229
38	Oil Chamber Cover	1	202225	202225	202227
39	Lip Seal	1	202248	202248	202251
40	Shaft Sleeve	1	203071	203071	203072
41	Impeller	1	202976	202980	202972
42	Impeller Key	1	202146	202146	202147
43	Suction Cover	1	202869	202873	202874
44	Wear Plate	1	202018	202018	202016
45	Bolt-Suction Cover	4	203236	203236	203236
46	Bolt-Wear Plate	4	203253	203253	203253
47	Bolt-Strainer/Stand	4	203258	203258	203258
48	Strainer Stand	1	201982	201982	201981
50-16	Bolt-Stator Locking	1	----	----	203260
51	Lock Washer	1	202917	202917	202918
52	Agitator	1	202983	202983	202984
53	Pump Housing Sleeve	1	202182	202182	202183
	O-Ring Kit-Buna N	1	202653	202653	202656
	<b>HYDRA-TECH PARTS</b>				
01	Lifting Bracket	1	7100	7100	7100
02	Hex Bolt SS 1/2" x 1 1/4"	2	155	155	155
03	Oil pipe inlet	#	9954A (x1)	9954A (x1)	9936A (x2)
04	O-ring 213	#	9955 (x2)	9955 (x2)	8641 (x4)

1 - Some quantities vary per model: (#)

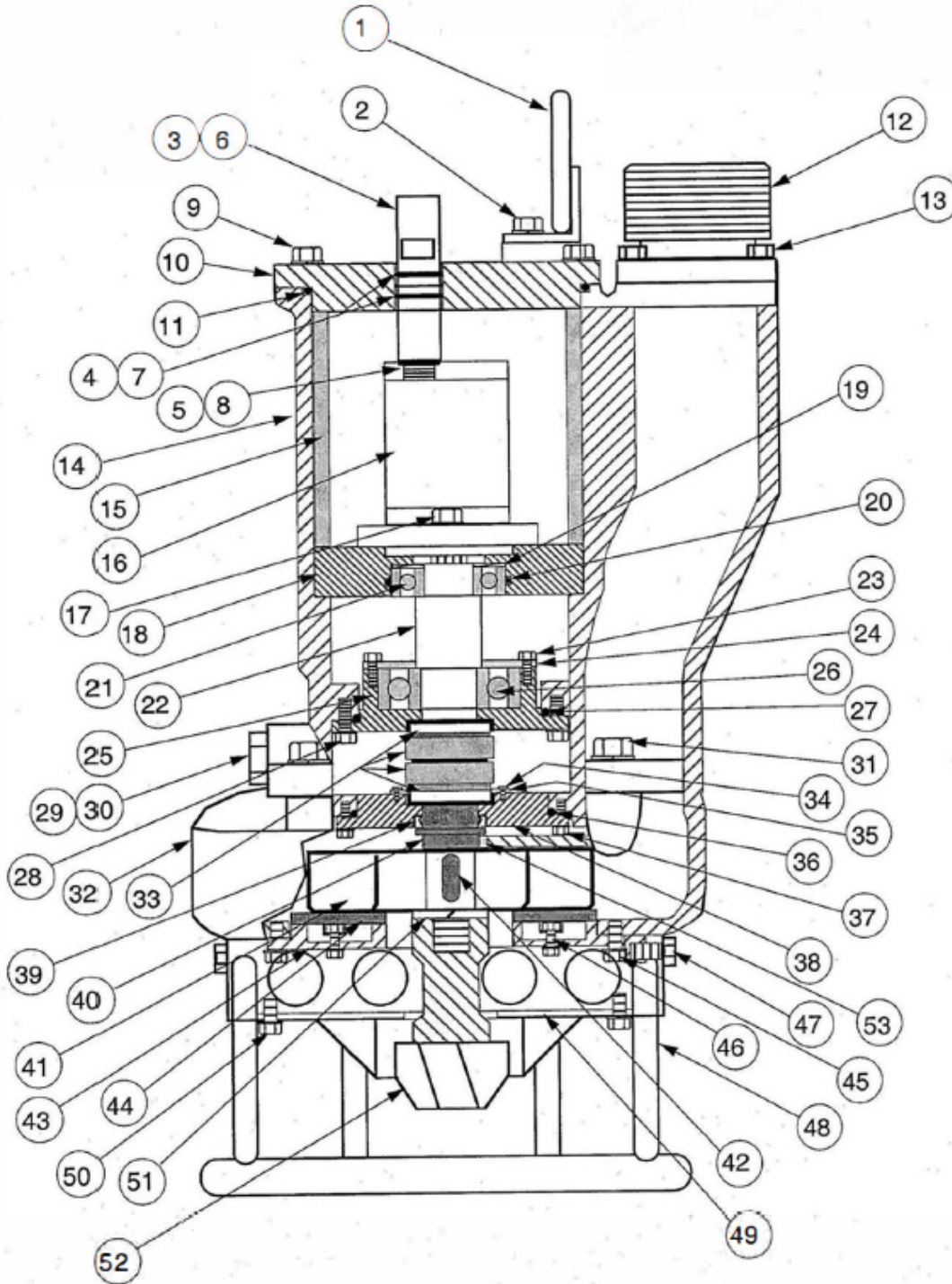
05	O-ring 910	#	9956 (x1)	9956 (x1)	8642 (x2)
06	Oil pipe return	1	9957A	9957A	----
07	O-ring 217	2	9958	9958	----
08	O-ring 912	1	9959	9959	----
10	Top Cover HYD3	1	9950	9950	9930
11	O-ring top cover	1	9961	9961	8643
15	Spacer Ring HYD3	1	9965	9965	8646
16	Hydraulic Motor	1	9945	9951	252
17	Hex Bolt 3/8" x 1 1/4"	#	9353 (x2)	9353 (x2)	155 (x4)
18	Motor Support Plate HYD3	1	9966	9966	8647
55	Pig Tail Hose Assy.	2	2276	2276	146
56	QD Coupler - MALE, 3/4"	1	2175	2175	182
57	QD Coupler - F, 3/4" wing nut	1	2174	2174	184

1 - Some quantities vary per model: (#)



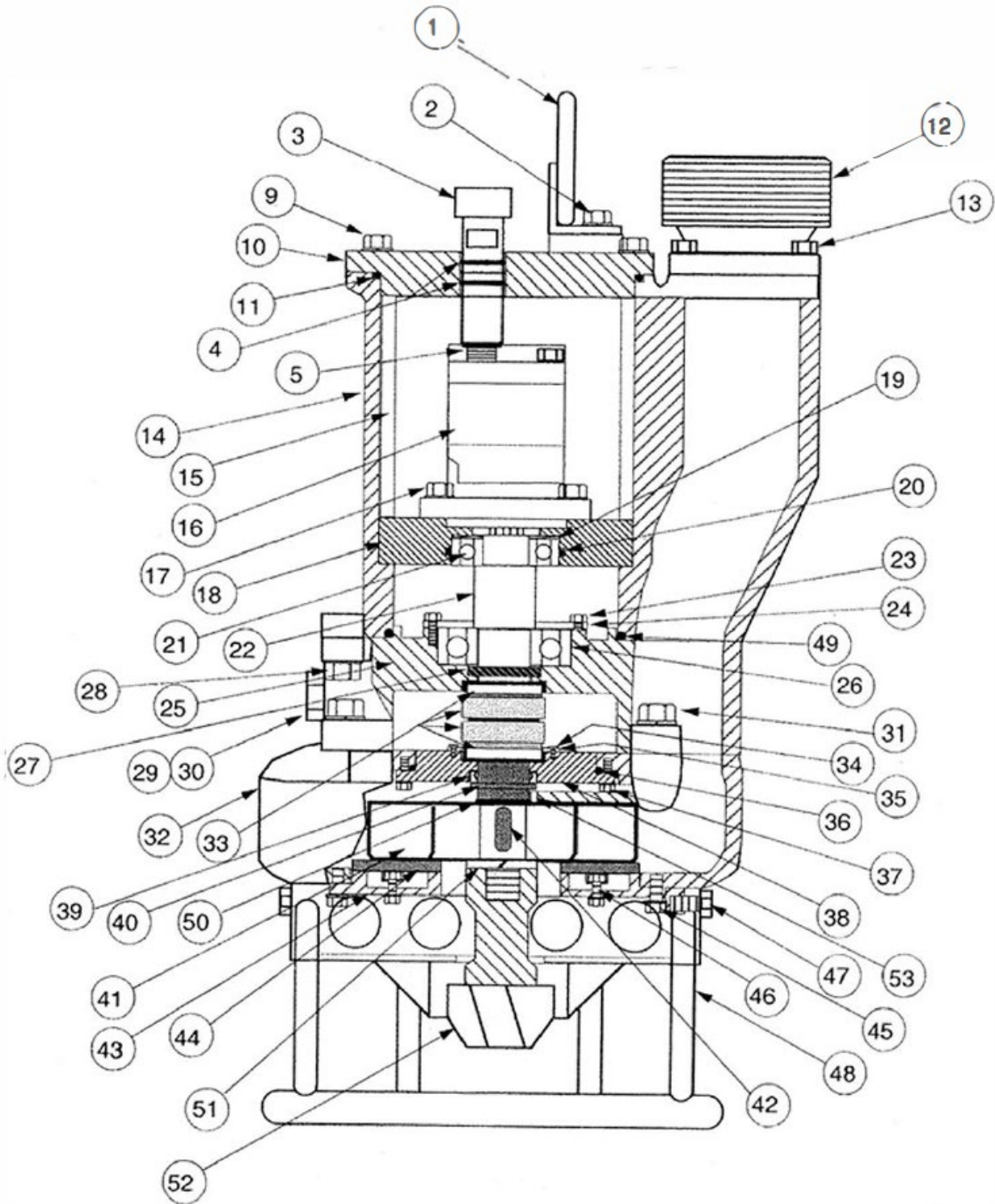
©2024 Industrial Flow Solutions Operating, LLC. All rights reserved.

Industrial Flow Solutions Operating, LLC • 104 John W Murphy Drive, New Haven, CT 06513, USA  
(860) 631-3618 • [www.flowsolutions.com](http://www.flowsolutions.com)



©2024 Industrial Flow Solutions Operating, LLC. All rights reserved.

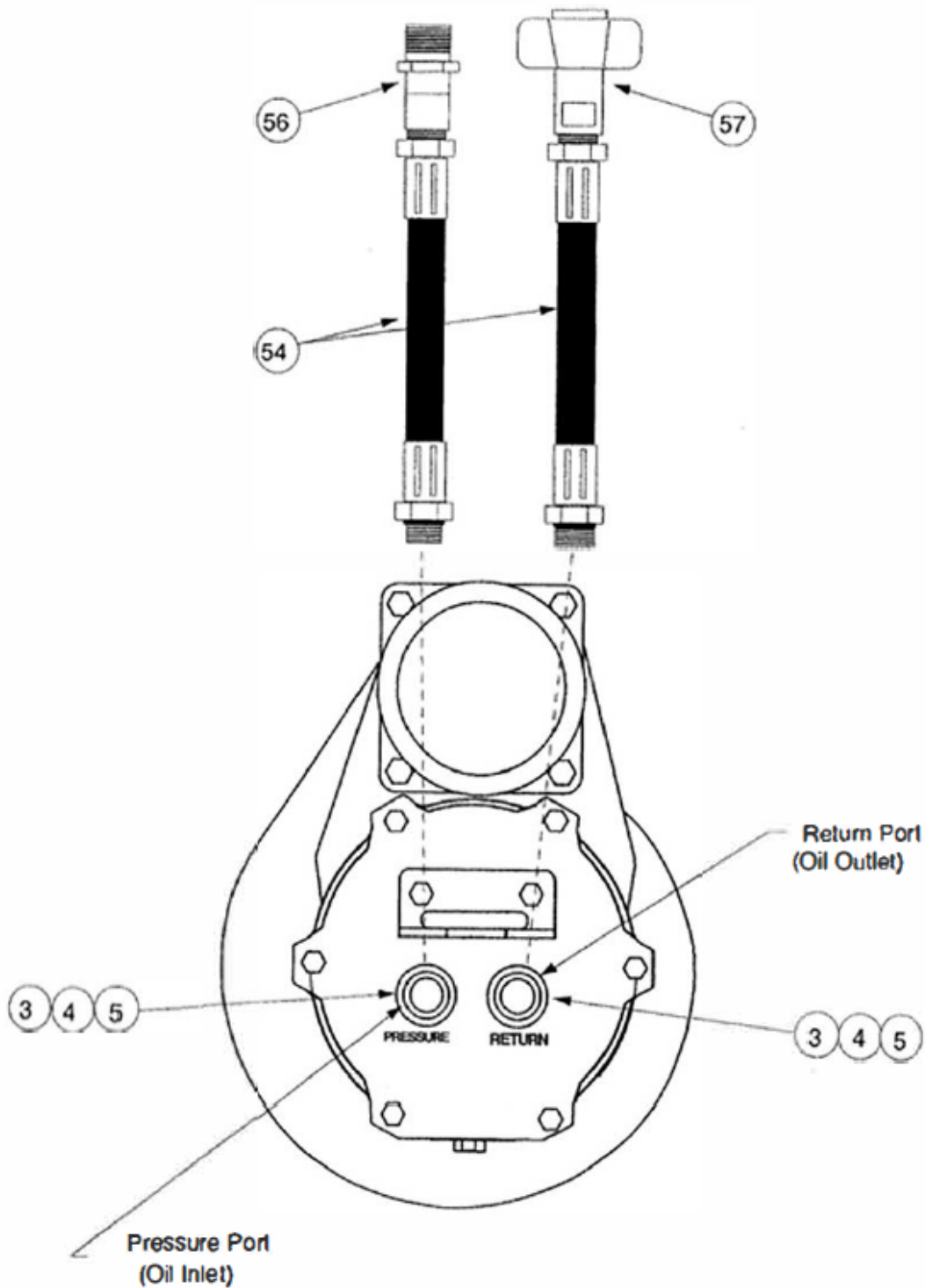
Industrial Flow Solutions Operating, LLC • 104 John W Murphy Drive, New Haven, CT 06513, USA  
(860) 631-3618 • [www.flowsolutions.com](http://www.flowsolutions.com)



©2024 Industrial Flow Solutions Operating, LLC. All rights reserved.

Industrial Flow Solutions Operating, LLC • 104 John W Murphy Drive, New Haven, CT 06513, USA  
(860) 631-3618 • [www.flowsolutions.com](http://www.flowsolutions.com)





©2024 Industrial Flow Solutions Operating, LLC. All rights reserved.

Industrial Flow Solutions Operating, LLC • 104 John W Murphy Drive, New Haven, CT 06513, USA  
(860) 631-3618 • [www.flowsolutions.com](http://www.flowsolutions.com)

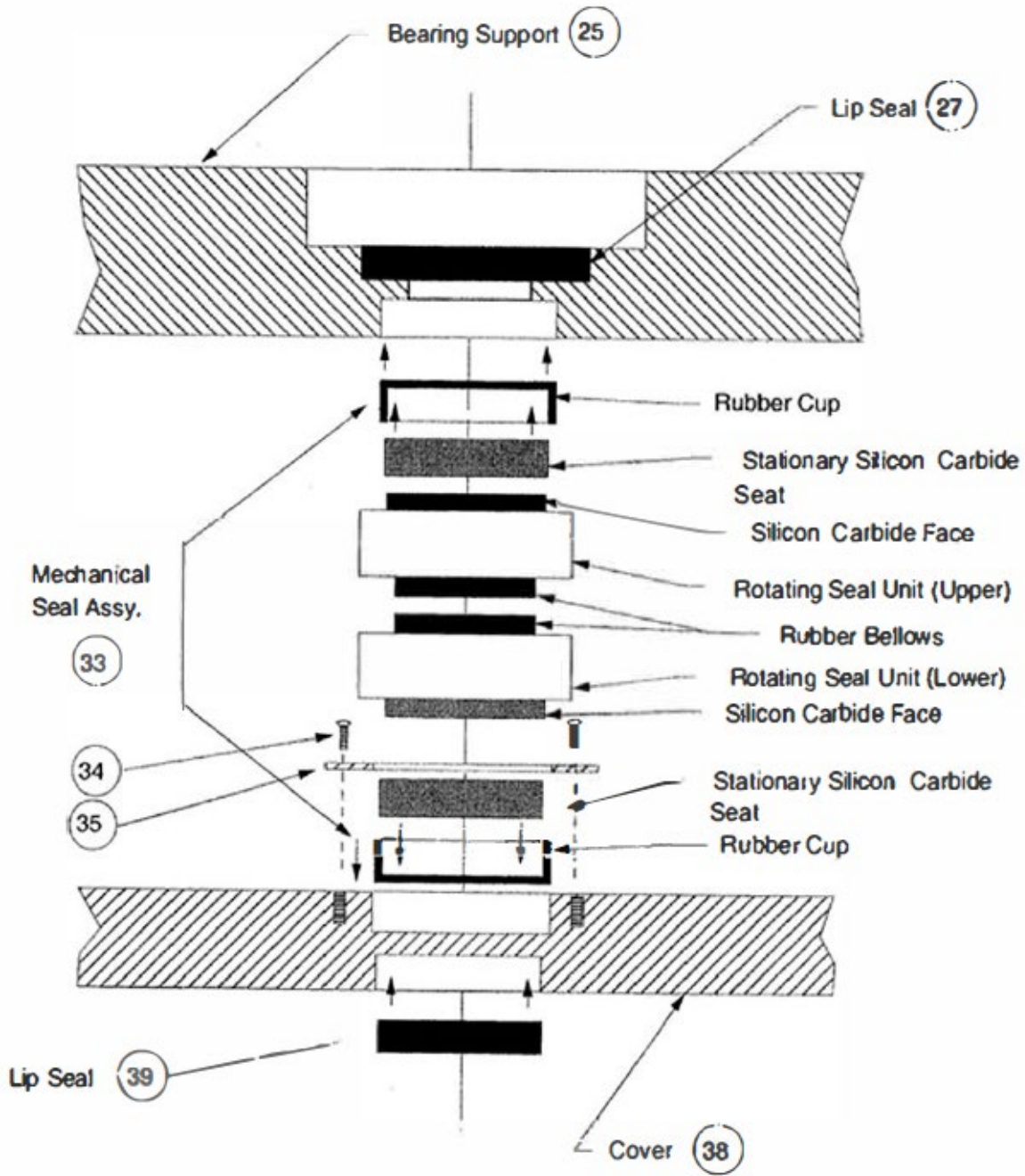


Fig. A

©2024 Industrial Flow Solutions Operating, LLC. All rights reserved.

Industrial Flow Solutions Operating, LLC • 104 John W Murphy Drive, New Haven, CT 06513, USA  
(860) 631-3618 • [www.flowsolutions.com](http://www.flowsolutions.com)