

RX-SERIES

	Pump Model	RX750SS	RX1500SS	RX08SS	RX15SS
Pos. No.	Part Description	Item #	Item #	Item #	Item #
01-2	Bottom Plate	202006	202006	202006	202006
03	Impeller Nut	-	-	202894	202894
04	Lock Washer	-	-	202907	202907
05	Impeller	202061	202087	202090	202092
06	Impeller Key	-	-	202140	202140
07	Pump Housing/Suction Cover	202159	202159	202159	202159
07-1	O-Ring (Kit Only)	Kit	Kit	Kit	Kit
08	Oil Chamber Cover	202215	202215	202215	202215
08-1	O-Ring (Kit Only)	Kit	Kit	Kit	Kit
09	Lip Seal FKM	202233	202233	202233	202233
09	Lip Seal Buna-N (Optional)	202231	202231	202231	202231
09	Lip Seal EPDM (Optional)	203053	203053	203053	203053
13	Mechanical Seal FKM**	204240	204240	204240	204240
13	Mechanical Seal Buna-N (Optional)	200501	200501	200501	200501
14	Lower Ball Bearing	200958	200958	200958	200958
15	Impeller Shim Kit	200481	200481	200480	200480
16	Pump Casing Outer	202292	202294	202292	202292
17	Rotor w/ Shaft 115, 1PH	203090	-	-	-
17	Rotor w/ Shaft 230, 1PH	203090	202304	-	-
17	Rotor w/ Shaft, 3PH	-	-	203103	202342
18	Stator Coil w/ Casing 115, 1PH	200513	-	-	-
18	Stator Coil w/ Casing 230, 1PH	200571	200516	-	-
18	Stator w/ Casing 208V, 3PH	-	-	200660	200663
18	Stator w/ Casing 230/460V, 3PH	-	-	200627	200634
18	Stator w/ Casing 575V, 3PH	-	-	200641	200644
19	Governor Switch w/Switch Plate	202360	202360	-	-
20	Upper Ball Bearing	200967	200967	200967	200967
21A	Oil Chamber	202161	202161	202161	202161
21A-1	O-Ring (Kit Only)	Kit	Kit	Kit	Kit
21B	Motor Cover (Upper)	202366	202366	202366	202366
23	Overload 115V, 1PH	202383	-	-	-
23	Overload 230V, 1PH	202395	202383	-	-
23	Overload 208V, 3PH	-	-	202385	202388
23	Overload 230V, 3PH	-	-	202385	202388
23	Overload 460V, 3PH	-	-	202387	202386

**All 1 HP and up BJM Pumps® mechanical seal elastomer material is FKM

RX-SERIES

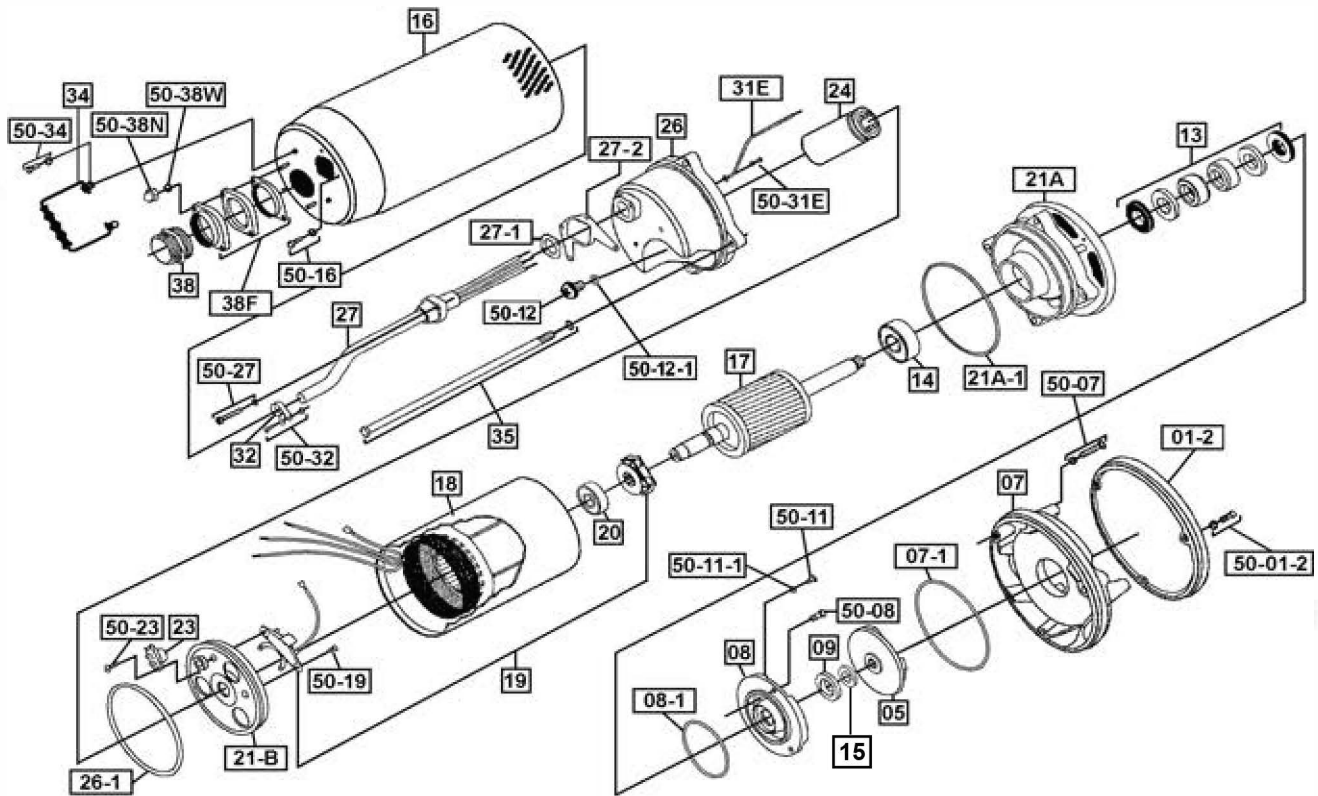
	Pump Model	RX750SS	RX1500SS	RX08SS	RX15SS
Pos. No.	Part Description	Item #	Item #	Item #	Item #
23	Overload 575V, 3PH	-	-	202399	202387
24	Capacitor 115	202417	-	-	-
24	Capacitor 230	202418	202420	-	-
26	Pump Top Cover	202430	202430	202430	202430
26-1	O-Ring (Kit Only)	Kit	Kit	Kit	Kit
27	Power Cable w/ Gland-115V, 1PH	201692	-	-	-
27	Power Cable w/ Gland- 230V, 1PH, No Plug	201691	201691	-	-
27	Power Cable w/ Gland- 3PH	-	-	201698	201698
27-1	O-Ring (Kit Only)	Kit	Kit	Kit	Kit
27-2	O-Ring (Kit Only)	Kit	Kit	Kit	Kit
31E	Ground Wire w/Ring Term.	203145	203145	203145	203145
32	Power Cord Line Clip	203161	203161	203161	203161
34	Handle	203169	203169	203169	203169
35	Rod Bolts	202666	202668	202666	202666
38	Disch. Nipple NPT 2"	202532	202532	202532	202532
38F	Discharge Flange Kit 1-1/2"	202566	202566	202566	202566
38F	Discharge Flange Kit 2"	202568	202568	202568	202568
50-01-2	Screw for Bottom Plate	203220	203220	203220	203220
50-07	Screw for Suction Cover	203250	203250	203250	203250
50-08	Screw for Oil Chamber Cover	203219	203219	203219	203219
50-11	Screw for Oil Fill	203218	203218	203218	203218
50-11-1	O-Ring (Kit Only)	Kit	Kit	Kit	Kit
50-12	Screw - Pressure Test	203218	203218	203218	203218
50-12-1	O-Ring (Kit Only)	Kit	Kit	Kit	Kit
50-16	Screw for Outer Casing	203220	203220	203220	203220
50-18	Screw for Stator	-	-	-	-
50-19	Screw for Gov. Switch Plate	202693	202693	-	-
50-23	Screw for Overload	202700	202700	202700	202700
50-27	Screw for Power Cord	203216	203216	203216	203216
50-31E	Screw for Ground Wire	202692	202692	202692	202692
50-32	Screw for Line Clip	203220	203220	203220	203220
50-34	Screw for Handle	203220	203220	203220	203220
50-38N	Acorn Nut for Flange	203182	203182	203182	203182
50-38W	Washer for Flange	202902	202902	202902	202902
	O-Ring Kit - FKM	202633	202633	202633	202633
	O-Ring Kit - Buna-N (Optional)	202632	202632	202632	202632

**All 1 HP and up BJM Pumps® mechanical seal elastomer material is FKM



BJMPumps

RX750SS & RX1500SS



RX08SS & RX15SS

