



BJM Pumps® SF HIGH TEMP SERIES

	Pump Model	S08CF	S15CF	S22CF	S37CF	S55CF	S75CF
Pos. No.	Part Description	Item #	Item #	Item #	Item #	Item #	Item #
01-2	Stand	203843	201986	201990	201992	201996	201996
	Bottom Plate	-	-	-	-	202020	202020
03	Impeller Nut	202894	202894	202894	202894	202897	202897
04	Impeller Washer	202907	202907	202907	202907	202917	202917
05	Impeller	202099	202103	202105	202107	202109	202112
06	Impeller Key	202140	202140	202140	202140	202142	202142
07	Pump Housing	202173	203008	203011	203014	203022	203022
08	Oil Chamber Cover	202213	202213	202218	202218	203044	203044
08-1	O-Ring (Kit Only)	Kit	Kit	Kit	Kit	Kit	Kit
09	Lip Seal FKM	202232	202232	202235	202235	202241	202241
09A	Lower Lip Seal FKM	-	-	-	-	202241	202241
13	Mechanical Seal FKM	204240	204240	204243	204243	200304	200304
14	Lower Ball Bearing	205999	205999	205999	206016	206028	206018
14-1	Lower Ball Bearing	-	-	-	-	206028	206018
14-2	Lower Bearing Retainer Clip	202279	202279	202279	202279	202279	202279
15	Impeller Shim Kit (Required)	200480	200480	200480	200480	200479	200479
17	Rotor w/ Shaft, 3PH	204031	204032	204033	204034	204039	204040
18	Stator w/ Casing 208V, 3 PH	200525	200529	200533	200537	200666	-
18	Stator w/ Casing 230/460V, 3PH	200547	200551	200555	200559	200563	200567
18	Stator w/ Casing 575V, 3PH	200589	200593	200597	200601	200606	200610
19	Wire Connection Kit*	204202	204202	204203	204203	204203	204203
20	Upper Ball Bearing	206000	206000	205999	205999	206016	206016
20-1	O-Ring (Kit Only)	-	-	-	-	Kit	Kit
21A	Oil Chamber/Motor Housing	202196	202196	203030	203030	202180	203004
21A-1	O-Ring (Kit Only)	Kit	Kit	Kit	Kit	Kit	Kit
26	Pump Top Cover (W/ Sensor opening)	202435	202435	202437	202437	202439	202439
26-1	O-Ring (Kit Only)	Kit	Kit	Kit	Kit	Kit	Kit
27	Power Cable w/ Gland-3PH(high temp)	204452	204452	203776	203776	203776	203776
27-1	O-Ring (Kit Only)	Kit	Kit	Kit	Kit	Kit	Kit
27-2	Seal Minder/Temp. Sensor Cord (High Temp)	204453	204453	204453	204453	204453	204453
27-2-1	O-Ring Kit Only	Kit	Kit	Kit	Kit	Kit	Kit

Last updated on 3/25/2024



BJM Pumps® SF HIGH TEMP SERIES

	Pump Model	S08CF	S15CF	S22CF	S37CF	S55CF	S75CF
Pos. No.	Part Description	Item #	Item #	Item #	Item #	Item #	Item #
31D	Seal Minder Probe	202408	202408	202410	202410	204000	204000
31E	Ground Wire w/Ring Term.	203145	203145	203145	203145	203145	203145
32	Power Cord Line Clip / Strain Relief	203161	203161	202497	202497	202497	202497
33	Seal Minder Cable Line Clip	203163	203163	203163	203163	203163	203163
34	Handle / Chain Handle	202517	202517	202509	202509	202515	202515
35	Rod Bolts	202669	202670	202671	202672	202673	202674
38	Discharge Nipple 2"	202531	-	-	-	-	-
38	Discharge Nipple 3"	202534	202534	202534	202534	-	-
38E	Discharge Elbow	202570	202558	202558	202558	202560	202560
38E-1	Gasket, Discharge Elbow Viton	203213	203209	203209	203209	203211	203211
38F	Discharge Flange 2"	202562	-	-	-	-	-
38F	Discharge Flange 3"	-	202545	202545	202545	-	-
38F	Discharge Flange 4"	-	-	202552	202552	202818	202537
38F-1	Gasket, Discharge Flange FKM	203207	202660	202660	202660	203211	203211
50-01-2	Bolt for Strainer/Stand	203228	203228	203228	203228	203229	203229
50-02	Bolt for Suction Cover	-	-	-	-	203229	203229
50-07	Screw for Oil Chamber/Motor Housing	203228	203228	203228	203228	203229	203229
50-08	Screw for Oil Chamber Cover	203219	203219	203219	203219	203246	203246
50-11	Screw for Oil Fill	203218	203218	203218	203218	203218	203218
50-11-1	O-Ring (Kit Only)	Kit	Kit	Kit	Kit	Kit	Kit
50-12	Screw for Pressure Check	203218	203218	203218	203218	203218	203218
50-12-1	O-Ring (Kit Only)	Kit	Kit	Kit	Kit	Kit	Kit
50-14-2	Screw	203219	203219	203219	203219	203219	203219
50-27	Screw for Power Cord	203216	203216	203246	203246	203246	203246
50-27-2	Screw for Seal Minder Cable	203216	203216	203216	203216	203216	203216
50-31E	Screw for Ground Wire	202692	202692	202692	202692	202692	202692
50-32/50-33	Screw for Line Clip	203214	203214	-	-	-	-
50-34	Screw for Handle	203219	203219	-	-	-	-
50-34-3	Lock Washer	-	-	-	-	202902	202902
50-38E	Bolt for Discharge Elbow	203253	203255	203255	203255	203286	203286
50-38F	Bolt for Discharge Flange	203289	203289	203289	203253	203287	203287
	O-Ring Kit - FKM	202646	202646	202641	202641	202644	202644

* "F" Series High Temperature Pumps Only

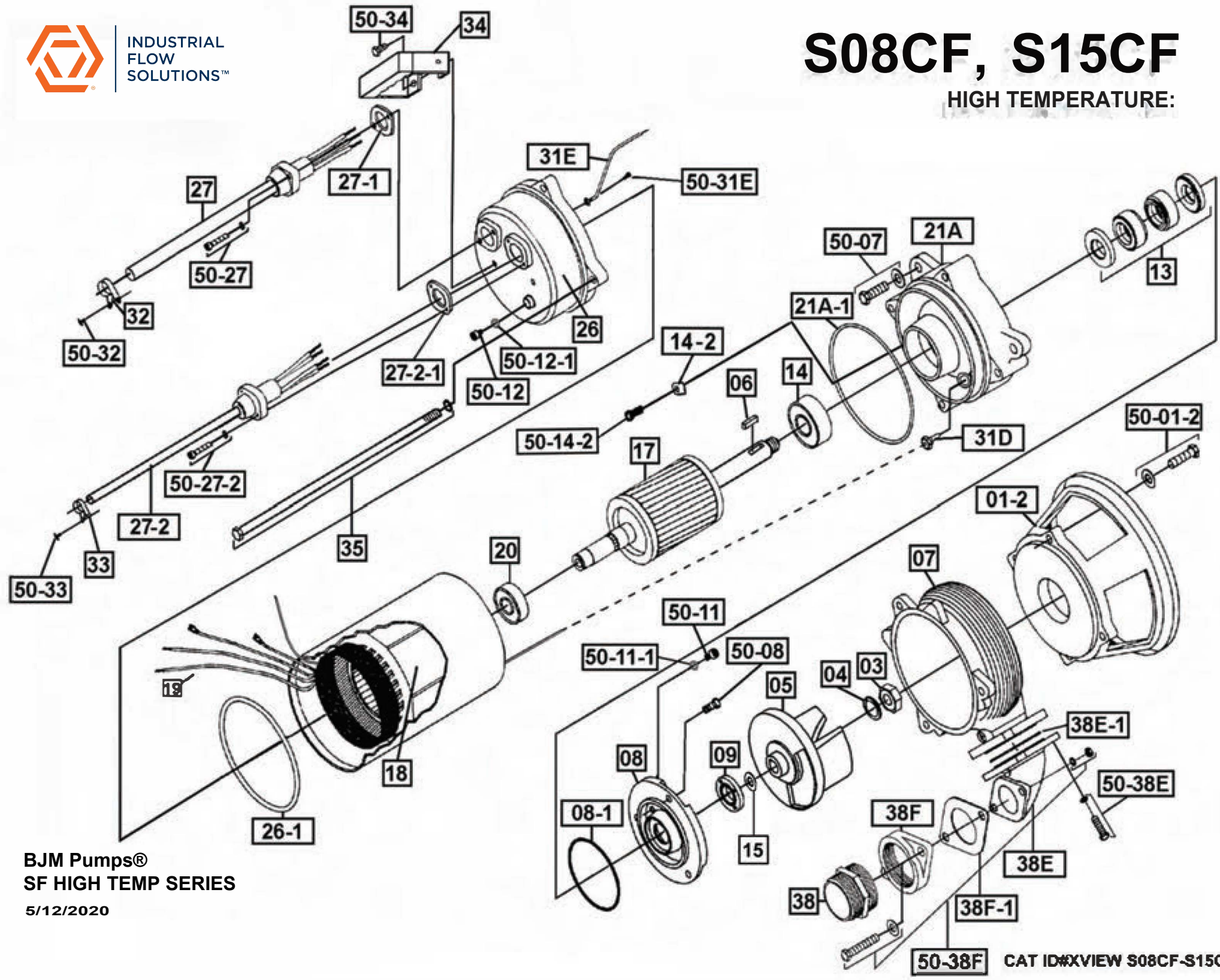
Last updated on 3/25/2024



INDUSTRIAL
FLOW
SOLUTIONS™

S08CF, S15CF

HIGH TEMPERATURE:



BJM Pumps®
SF HIGH TEMP SERIES

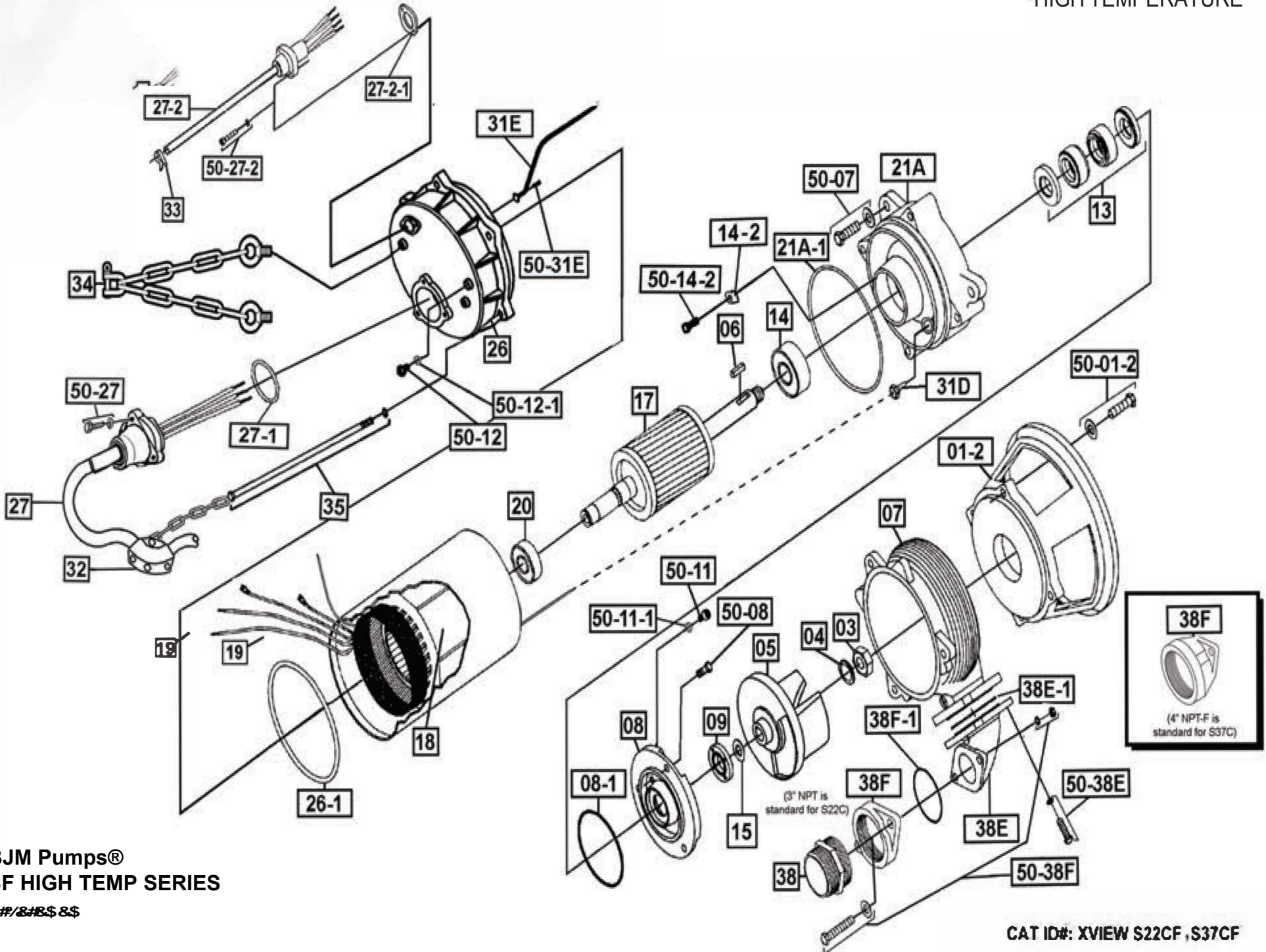
5/12/2020

CAT ID# XVIEW S08CF-S15CF



S22CF, S37CF

-HIGH TEMPERATURE



BJM Pumps®
SF HIGH TEMP SERIES

) #/8/RS&&

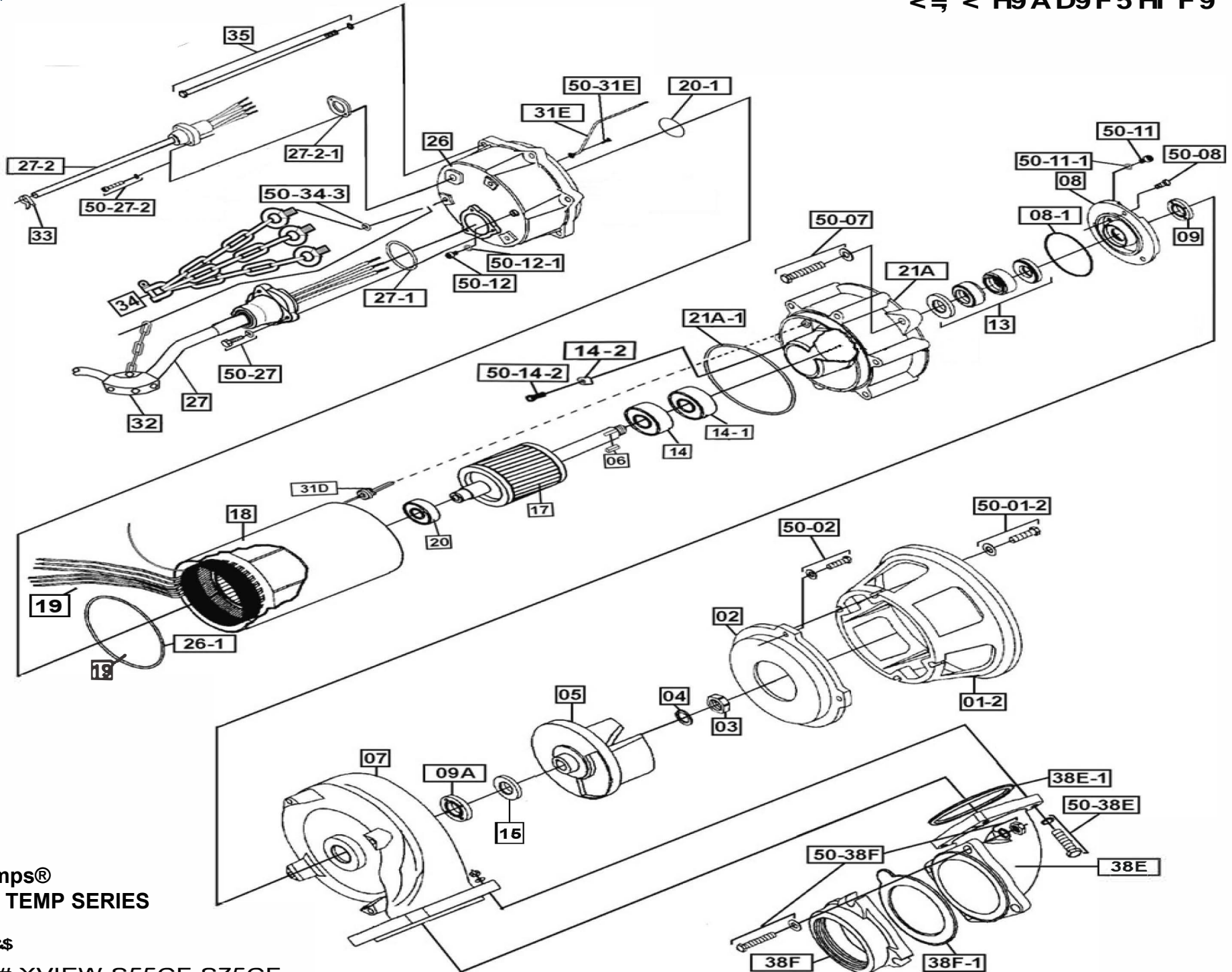
CAT ID#: XVIEW S22CF, S37CF



INDUSTRIAL
FLOW
SOLUTIONS™

S)) CF, S+) CF

<=> < 'H9AD9F5HI F9



BJM Pumps®
SF HIGH TEMP SERIES

) #/8/8585

CAT ID# XVIEW-S55CF-S75CF