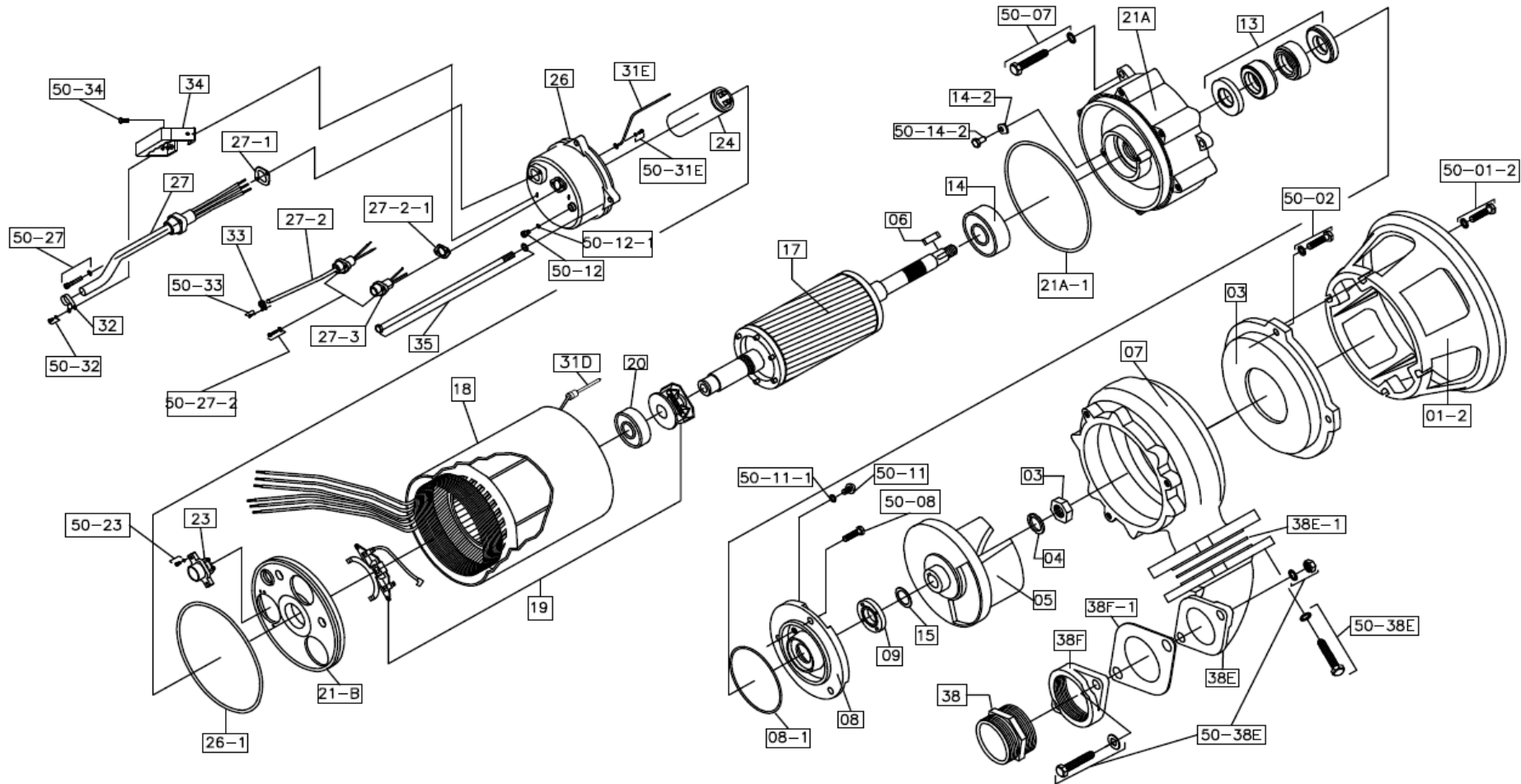




SK750C & SK1500C



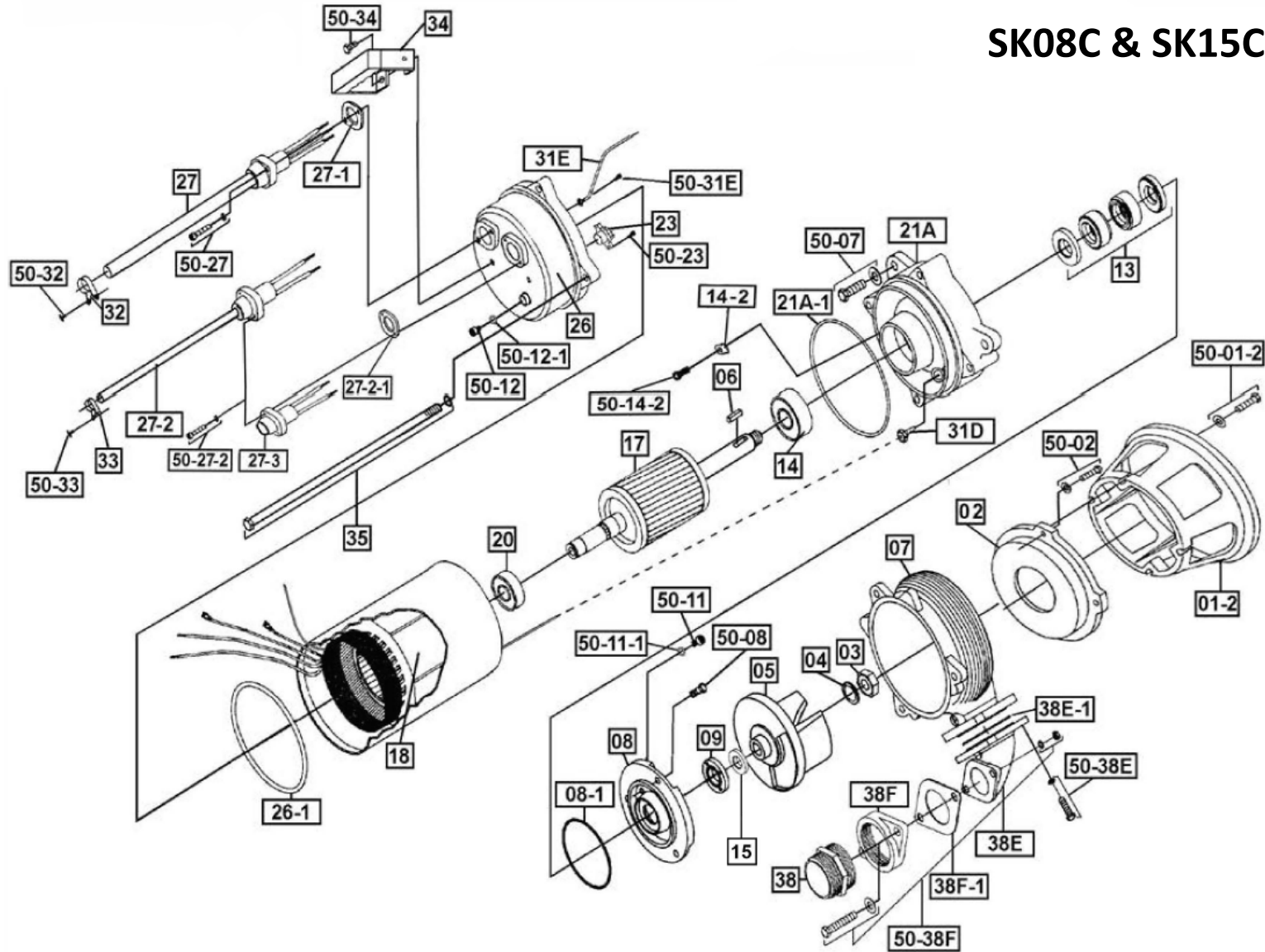
©2024 Industrial Flow Solutions Operating, LLC. All rights reserved.

Industrial Flow Solutions Operating, LLC • 104 John W Murphy Drive, New Haven, CT 06513, USA

(860) 631-3618 • www.flowsolutions.com



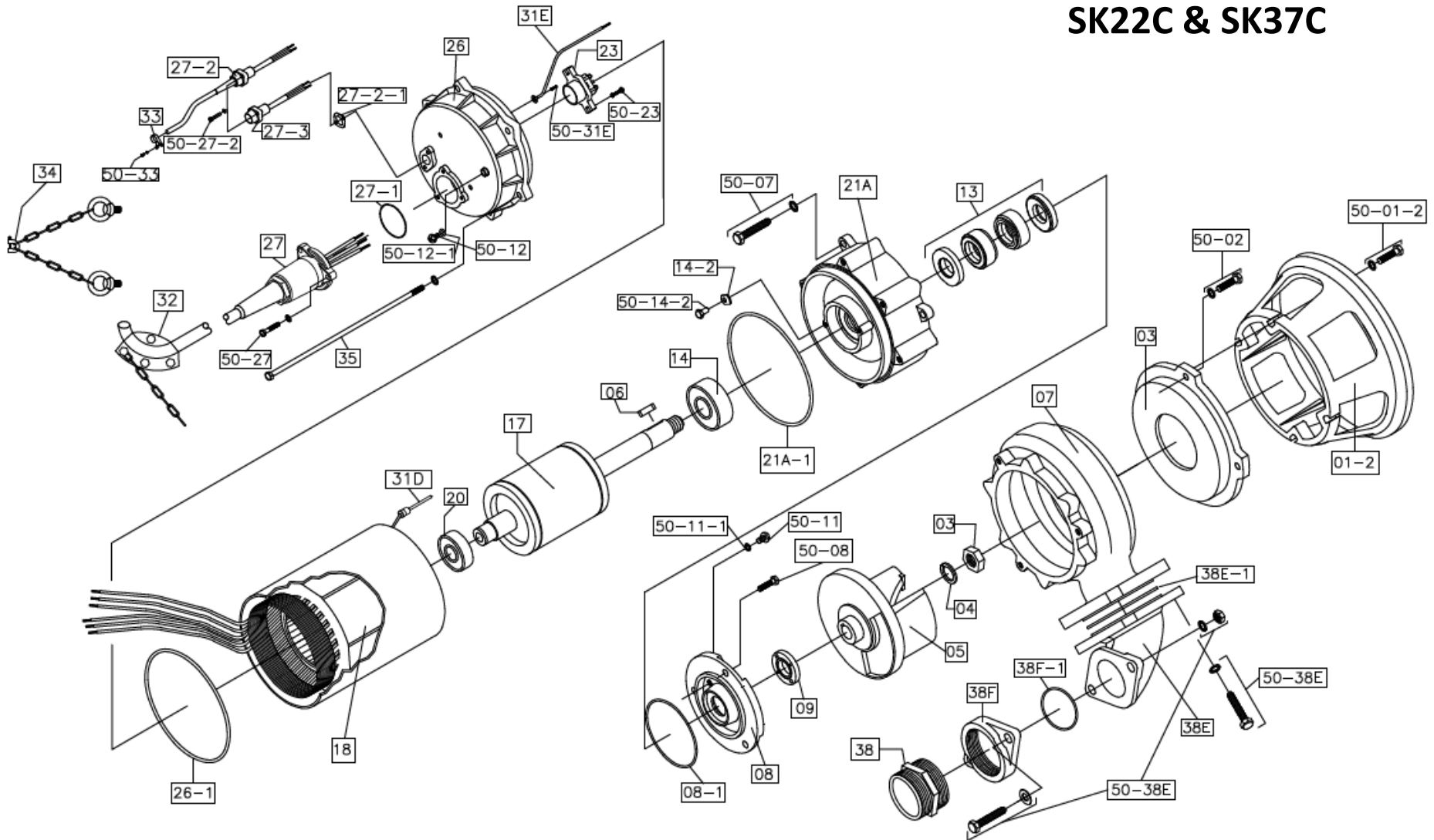
SK08C & SK15C



Industrial Flow Solutions Operating, LLC • 104 John W Murphy Drive, New Haven, CT 06513, USA
(860) 631-3618 • www.flowsolutions.com



SK22C & SK37C

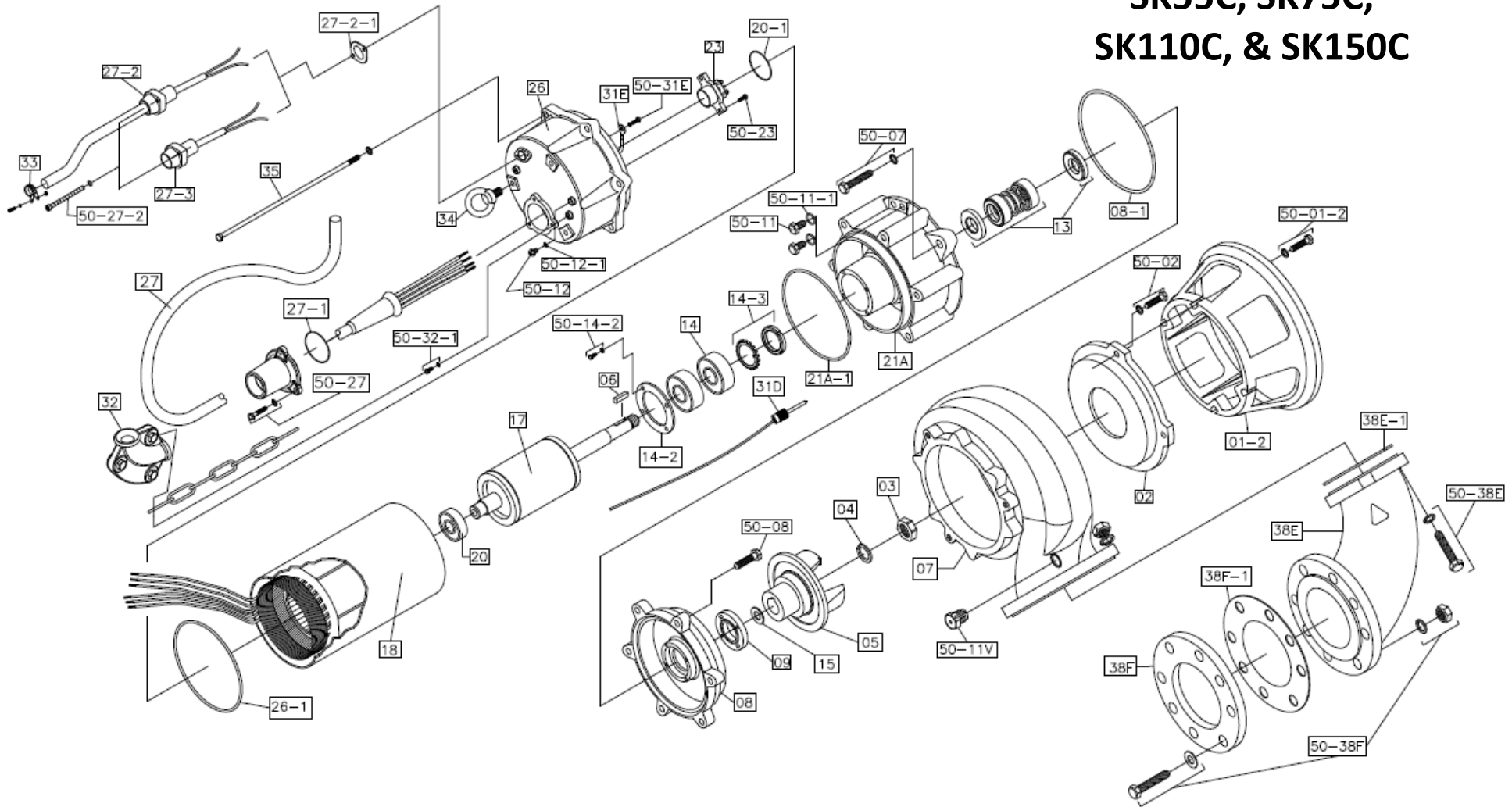


©2024 Industrial Flow Solutions Operating, LLC. All rights reserved.

Industrial Flow Solutions Operating, LLC • 104 John W Murphy Drive, New Haven, CT 06513, USA
(860) 631-3618 • www.flowsolutions.com



SK55C, SK75C, SK110C, & SK150C



©2024 Industrial Flow Solutions Operating, LLC. All rights reserved.

Industrial Flow Solutions Operating, LLC • 104 John W Murphy Drive, New Haven, CT 06513, USA

(860) 631-3618 • www.flowsolutions.com



Pump Model

Pos	Part Description	Qty	Pump Model									
			SK750C	SK1500C	SK08C	SK15C	SK22C	SK37C	SK55C	SK75C	SK110C	SK150C
01-2	Stand Only	1	202847	202858	202847	202858	202850	202855	201998	201998	202000	202000
02	Suction Cover, Cast Iron	1	--	--	--	--	--	--	202880	202880	202882	202882
02	Suction Cover, Hi-Chrome	1	202045	202046	202045	202046	202047	202048	--	--	--	--
03	Impeller Nut	1	--	202894	202894	202894	202894	202894	202897	202897	202897	202897
04	Impeller Washer	1	--	202907	202907	202907	202907	202907	202917	202917	202917	202917
05	Impeller	1	202122	204565	202126	204565	204566	204567	202136	202138	202945	202947
06	Impeller Key	1	--	202140	202140	202140	202140	202140	202146	202146	202146	202987
07	Pump Housing	1	202173	203008	202173	203008	203011	203014	203024	203024	203027	203027
08	Oil Chamber Cover	1	202213	202213	202213	202213	202218	202218	202221	202221	202223	202223
08-1	O-Ring (Kit Only)	1	Kit	Kit	Kit	Kit	Kit	Kit	Kit	Kit	Kit	Kit
09	Lip Seal Buna-N	1	203051	203051	203051	203051	202234	202234	202238	202238	202238	202238
09	Lip Seal FKM (Optional)	1	202232	202232	202232	202232	202235	202235	202241	202241	202241	202241
09	Lip Seal EPDM (Optional)	1	203052	203052	203052	203052	203054	203054	203061	203061	203061	203061
12	Lip Seal for Lower Bearing	1	--	--	--	--	--	--	203055	203055	--	--
13	Mechanical Seal FKM	1	200500	200500	200500	200500	200301	200301	200307	200307	200307	200307
13	Mechanical Seal Buna (Optional)	1	200501	200501	200501	200501	200302	200302	200308	200308	200308	200308
14	Lower Ball Bearing	1	200958	200958	200958	200958	200959	200959	200962	200962	--	--
14	Lower Ball Bearing	2	--	--	--	--	--	--	--	--	200962	200962
14-2	Lower Bearing Retainer	1	202279	202279	202279	202279	202279	202279	203075	203075	203076	203076
14-3	Lock Nut & Lock Washer	1	--	--	--	--	--	--	--	--	200424	200424
15	Impeller Shim Kit (Required)	1	200481	200480	200480	200480	200480	200480	200478	200478	200478	200478
17	Rotor w/ Shaft 115/230V, 1PH	1	203088	204604	--	--	--	--	--	--	--	--
17	Rotor w/ Shaft, 3PH	1	--	--	202307	202311	202315	202319	202333	202335	202337	202339
18	Stator w/ Casing 115V, 1PH	1	200511	--	--	--	--	--	--	--	--	--
18	Stator w/ Casing 230V, 1PH	1	200570	200514	--	--	--	--	--	--	--	--
18	Stator w/ Casing 208V, 3PH	1	--	--	200524	200528	200532	200536	200669	--	--	--
18	Stator w/ Casing 230/460V, 3PH	1	--	--	200546	200550	200554	200558	200572	200576	200580	--

©2024 Industrial Flow Solutions Operating, LLC. All rights reserved.

Industrial Flow Solutions Operating, LLC • 104 John W Murphy Drive, New Haven, CT 06513, USA

(860) 631-3618 • www.flowsolutions.com



Pump Model

Pos	Part Description	Qty	SK750C	SK1500C	SK08C	SK15C	SK22C	SK37C	SK55C	SK75C	SK110C	SK150C
18	Stator w/ Casing 460V, 3PH	1	--	--	--	--	--	--	--	--	--	200584
18	Stator w/ Casing 575V, 3PH	1	--	--	200588	200592	200596	200600	200616	200622	200629	200636
19	Governor Switch w/ Switch Plate	1	202360	202360	--	--	--	--	--	--	--	--
20	Upper Ball Bearing	1	200967	200967	200967	200967	200958	200958	200968	200968	200968	200968
20-1	O-Ring (Kit Only)	1	--	--	--	--	--	--	Kit	Kit	Kit	Kit
21A	Oil Chamber/Motor Housing	1	202196	202196	202196	202196	203030	203030	202199	202199	203032	203032
21A-1	O-Ring (Kit Only)	1	Kit	Kit	Kit	Kit	Kit	Kit	Kit	Kit	Kit	Kit
21B	Motor Cover Upper	1	202368	202368	--	--	--	--	--	--	--	--
23	Overload Protector 115V, 1PH	1	202383	--	--	--	--	--	--	--	--	--
23	Overload Protector 230V, 1PH	1	202395	202383	--	--	--	--	--	--	--	--
23	Overload Protector 208V, 3PH	1	--	--	202385	202388	202390	202392	202394	--	--	--
23	Overload Protector 230V, 3PH	1	--	--	202385	202388	202390	202392	202394	--	--	--
23	Overload Protector 460V, 3PH	1	--	--	202387	202386	202389	202391	202393	202394	202398	202397
23	Overload Protector 575V, 3PH	1	--	--	202399	202387	202386	202389	202391	202393	202394	202398
24	Capacitor 115V	1	202417	--	--	--	--	--	--	--	--	--
24	Capacitor 230V	1	202418	202420	--	--	--	--	--	--	--	--
26	Pump Top Cover	1	202433	202433	202435	202435	202437	202437	203129	203129	203132	203132
26-1	O-Ring Kit Only	1	Kit	Kit	Kit	Kit	Kit	Kit	Kit	Kit	Kit	Kit
27	Power Cable Assembly- 230V,1PH	1	204258	--	--	--	--	--	--	--	--	--
27	Power Cable Assembly- 115V,1PH	1	201694	201694	--	--	--	--	--	--	--	--
27	Power Cable Assembly- 3PH	1	--	--	201701	201701	203442	203444	203446	203446	203448	203448
27-1	O-Ring (Kit Only)	1	Kit	Kit	Kit	Kit	Kit	Kit	Kit	Kit	Kit	Kit
27-2	Seal Minder Cable	1	202763	202763	202763	202763	202763	202763	202763	202763	202763	202763
27-2-1	O-Ring (Kit Only)	1	Kit	Kit	Kit	Kit	Kit	Kit	Kit	Kit	Kit	Kit
27-3	Seal Minder Cap (Optional)	1	203139	203139	203139	203139	203139	203139	203139	203139	203139	203139
31D	Seal Minder Probe	1	202408	202408	202408	202408	202410	202410	204001	204001	204001	204001
31E	Ground Wire w/Ring Term.	1	203145	203145	203145	203145	203145	203145	203145	203145	203145	203145

©2024 Industrial Flow Solutions Operating, LLC. All rights reserved.

Industrial Flow Solutions Operating, LLC • 104 John W Murphy Drive, New Haven, CT 06513, USA

(860) 631-3618 • www.flowsolutions.com



Pump Model

Pos	Part Description	Qty	SK750C	SK1500C	SK08C	SK15C	SK22C	SK37C	SK55C	SK75C	SK110C	SK150C
32	Power Cord Line Clip / Strain Relief	1	203161	203161	203161	203161	204161	202497	202497	202497	202500	202500
33	Seal Minder Cable Line Clip	1	203163	203163	203163	203163	203163	203163	203163	203163	203163	203163
34	Handle / Chain Handle	1	202517	202517	202517	202517	202509	202509	--	--	--	--
34	Lifting Ring	1	--	--	--	--	--	--	203172	203172	203172	203172
35	Rod Bolts	4	202666	202668	202669	202670	202671	202672	--	--	--	--
35	Rod Bolts	6	--	--	--	--	--	--	202676	202677	202678	202679
38	Discharge Nipple 2"	1	202531	--	202531	--	--	--	--	--	--	--
38	Discharge Nipple 3"	1	--	202534	--	202534	202534	202534	--	--	--	--
38E	Discharge Elbow	1	202570	202558	202570	202558	202558	202558	202572	202572	203187	203187
38E-1	Gasket, Discharge Buna-N	1	203212	203208	203212	203208	203208	203208	203210	203210	202663	202663
38E-1	Gasket, Discharge FKM (Optional)	1	203213	203209	203213	203209	203209	203209	203211	203211	202664	202664
38F	Discharge Flange 2"	1	202562	--	202562	--	--	--	--	--	--	--
38F	Discharge Flange 3"	1	--	202545	--	202545	--	--	--	--	--	--
38F	Discharge Flange 4"	1	--	--	--	--	202552	202552	202575	202575	--	--
38F	Discharge Flange 3" (Optional)	1	--	--	--	--	202545	202545	--	--	--	--
38F	Discharge Flange 6" ANSI	1	--	--	--	--	--	--	--	--	202548	202548
38F-1	Gasket, Discharge Flange Buna-N	1	203206	202659	203206	202659	202659	202659	202661	202661	202663	202663
38F-1	Gasket, Disch. Flange FKM (Optional)	1	203207	202660	203207	202660	202660	202660	202662	202662	202664	202664
50-01-2	Bolt for Strainer/Stand	4	203228	203228	203228	203228	203228	203228	203236	203236	203279	203279
50-02	Bolt for Suction Cover	4	203228	203228	203228	203228	203228	203228	203236	203236	203279	203279
50-07	Screw for Oil Chamber/Motor Housin	3	203228	203228	203228	203228	203228	203228	--	--	203280	203280
50-07	Screw for Oil Chamber/Motor Housin	4	--	--	--	--	--	--	203271	203271	--	--
50-08	Screw for Oil Chamber Cover	3	203219	203219	203219	203219	203219	203219	--	--	203281	203281
50-08	Screw for Oil Chamber Cover	4	--	--	--	--	--	--	203246	203246	--	--
50-11	Screw for Oil Fill	1	203218	203218	203218	203218	203218	203218	203261	203261	203282	203282
50-11-1	O-Ring (Kit Only)	1	Kit	Kit	Kit	Kit	Kit	Kit	Kit	Kit	Kit	Kit
50-11V	Air Release Valve	1	--	--	--	--	--	--	202707	202707	202707	202707

©2024 Industrial Flow Solutions Operating, LLC. All rights reserved.

Industrial Flow Solutions Operating, LLC • 104 John W Murphy Drive, New Haven, CT 06513, USA

(860) 631-3618 • www.flowsolutions.com



Pump Model

Pos	Part Description	Qty	Pump Model										
			SK750C	SK1500C	SK08C	SK15C	SK22C	SK37C	SK55C	SK75C	SK110C	SK150C	
50-12	Screw for Pressure Check	1	203218	203218	203218	203218	203218	203218	203218	203218	203218	203218	203218
50-12-1	O-Ring (Kit Only)	1	Kit	Kit	Kit	Kit	Kit	Kit	Kit	Kit	Kit	Kit	Kit
50-14-2	Screw for Brg. Retainer	4	203219	203219	203219	203219	203219	203219	203219	203220	203220	203220	203220
50-19	Screw for Gov. Switch Plate	2	202693	202693	--	--	--	--	--	--	--	--	--
50-23	Screw for Overload	2	202700	202700	202700	202700	202700	202700	202700	202700	202700	202700	203285
50-27	Screw for Power Cord	2	203216	203216	203216	203216	203246	203246	--	--	--	--	--
50-27	Screw for Power Cord	3	--	--	--	--	--	--	203246	203246	203246	203246	203246
50-27-2	Screw for Seal Minder Cable	2	203216	203216	203216	203216	203216	203216	203216	203216	203216	203216	203216
50-31E	Screw for Ground Wire	1	202692	202692	202692	202692	202692	202692	202692	202692	202692	202692	202692
50-32	Screw for Line Clip	1	203214	203214	203214	203214	--	--	--	--	--	--	--
50-33	Screw for Line Clip	1	203214	203214	203214	203214	--	--	--	--	--	--	--
50-32-1	Bolt for Power Cord Chain	2	--	--	--	--	--	--	203284	203284	203284	203284	203284
50-34	Screw for Handle	2	203219	203219	203219	203219	--	--	--	--	--	--	--
50-38E	Bolt for Discharge Elbow	4	203253	203255	203253	203255	203255	203255	203276	203276	--	--	--
50-38E	Bolt for Discharge Elbow	8	--	--	--	--	--	--	--	--	203278	203278	203278
50-38F	Bolt for Discharge Flange	2	203289	203289	203289	203289	203289	203253	--	--	--	--	--
50-38F	Bolt for Discharge Flange	8	--	--	--	--	--	--	203277	203277	203278	203278	203278
	O-Ring Kit - Buna N	1	202629	202629	202636	202636	202638	202638	202651	202651	203201	203201	203201
	O-Ring Kit - FKM (Optional)	1	203197	203197	202646	202646	202641	202641	202652	202652	203202	203202	203202

©2024 Industrial Flow Solutions Operating, LLC. All rights reserved.

Industrial Flow Solutions Operating, LLC • 104 John W Murphy Drive, New Haven, CT 06513, USA

(860) 631-3618 • www.flowsolutions.com