

©2024 Industrial Flow Solutions Operating, LLC. All rights reserved.

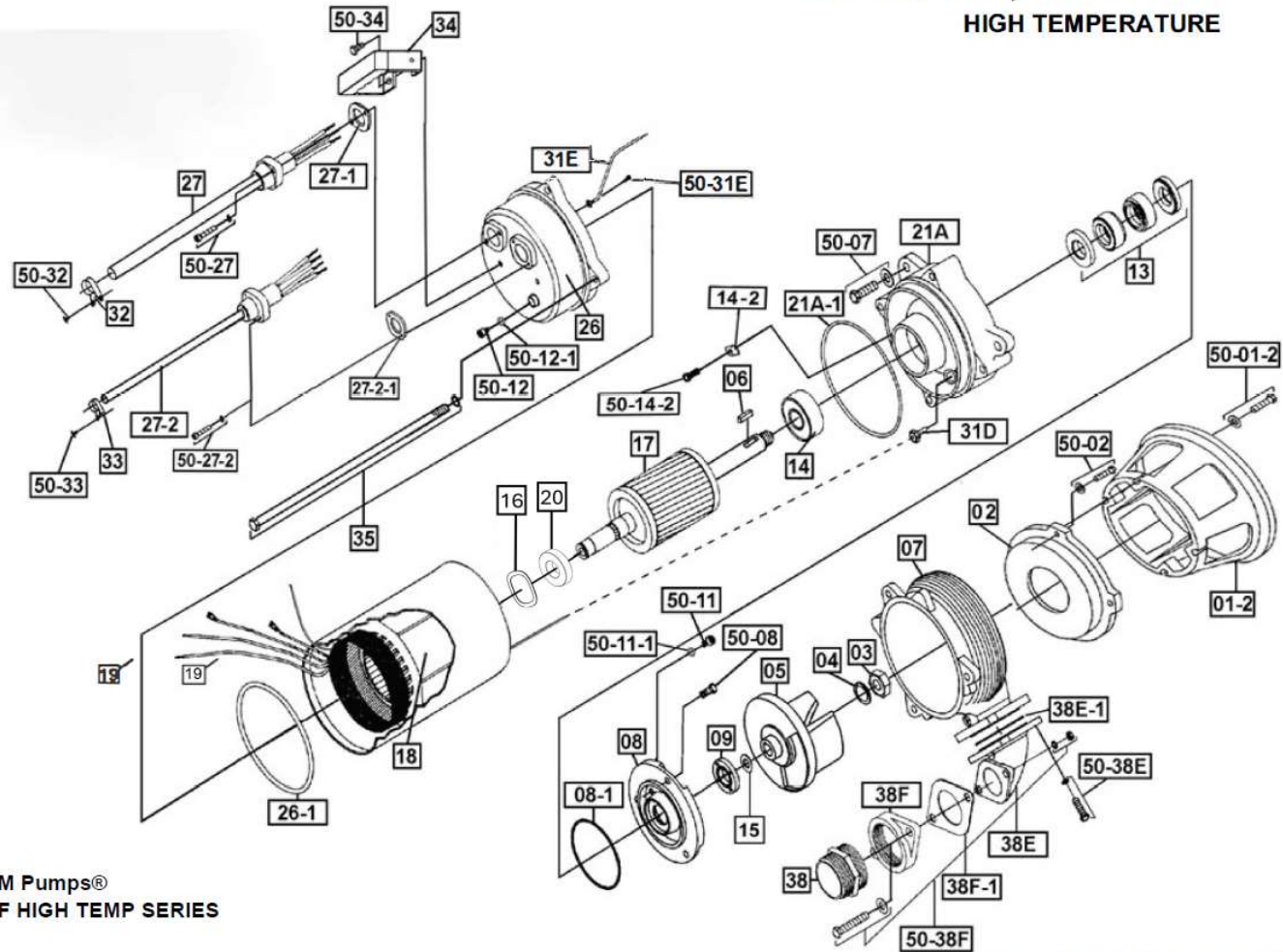
Industrial Flow Solutions Operating, LLC • 104 John W Murphy Drive, New Haven, CT 06513, USA

(860) 631-3618 • [www.flowsolutions.com](http://www.flowsolutions.com)



# SK08CF, SK15CF

HIGH TEMPERATURE



BJM Pumps®  
SKF HIGH TEMP SERIES

CAT ID# XVIEW SK08CF- SK15CF

©2024 Industrial Flow Solutions Operating, LLC. All rights reserved.

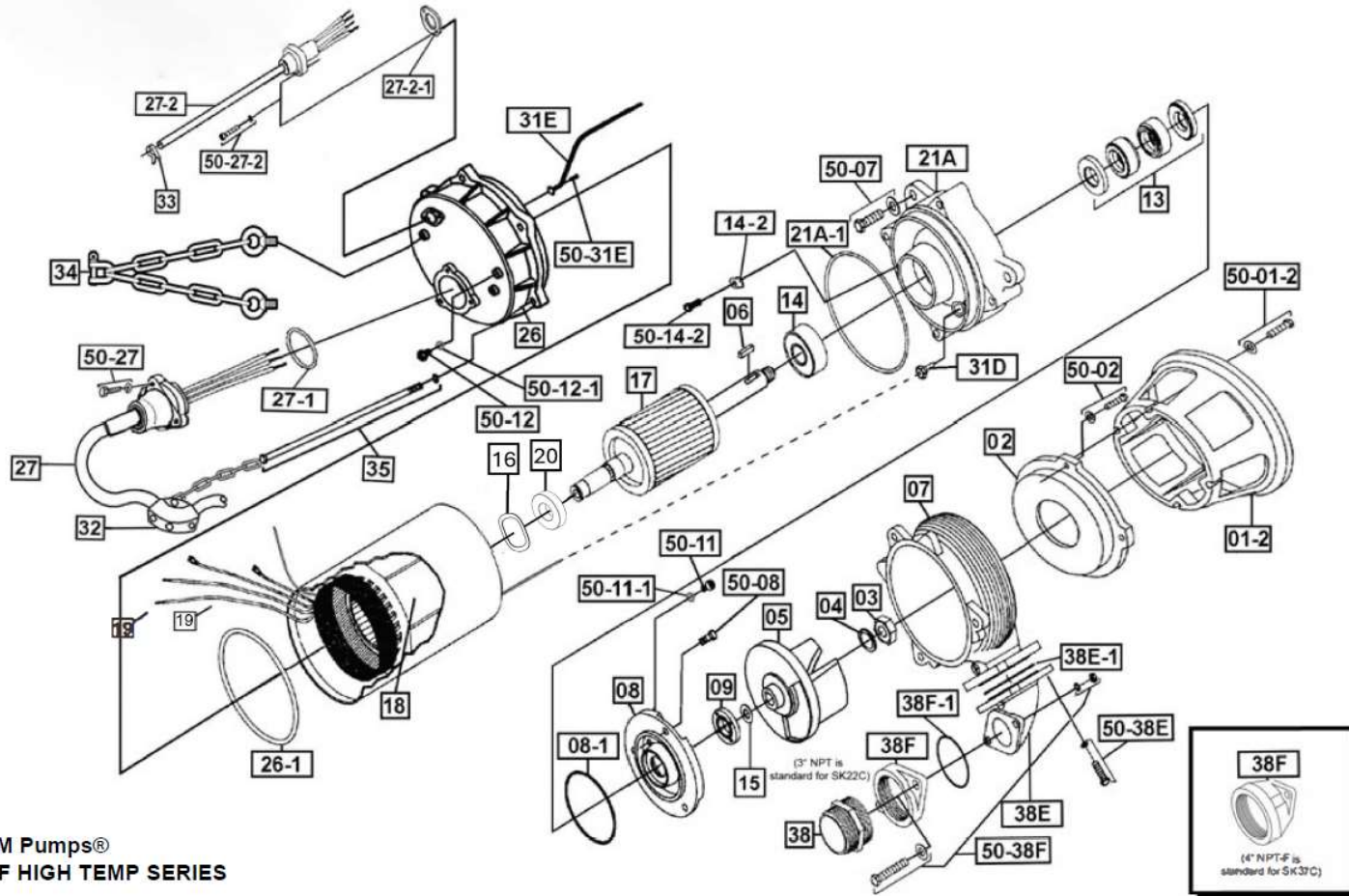
Industrial Flow Solutions Operating, LLC • 104 John W Murphy Drive, New Haven, CT 06513, USA

(860) 631-3618 • [www.flowsolutions.com](http://www.flowsolutions.com)



# SK22CF, SK37CF

HIGH TEMPERATURE



BJM Pumps®  
SKF HIGH TEMP SERIES

CAT ID# XVIEW SK22CF- SK37CF

©2024 Industrial Flow Solutions Operating, LLC. All rights reserved.

Industrial Flow Solutions Operating, LLC • 104 John W Murphy Drive, New Haven, CT 06513, USA

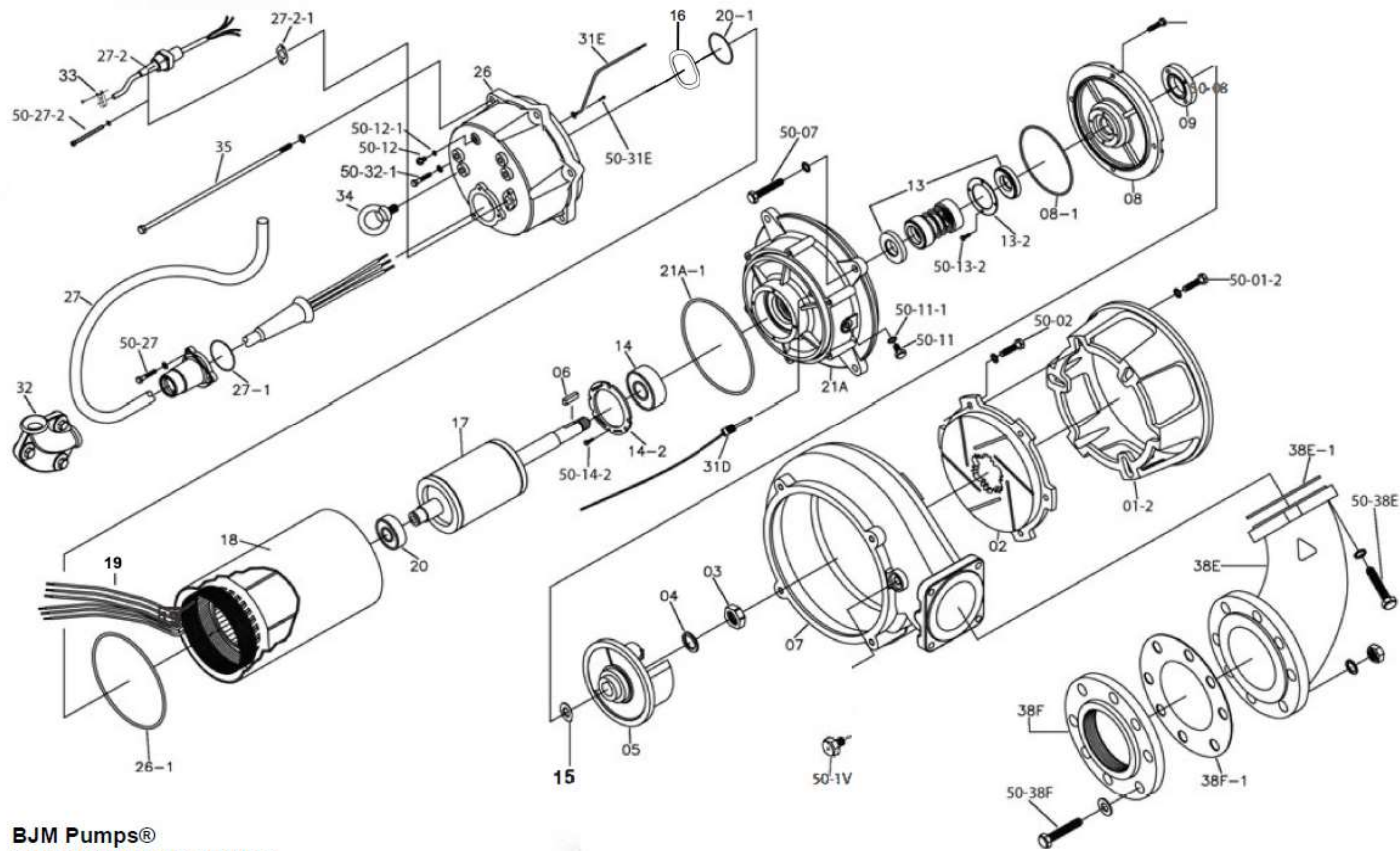
(860) 631-3618 • [www.flowsolutions.com](http://www.flowsolutions.com)





## SK55CF, SK75CF

HIGH TEMPERATURE



BJM Pumps®  
SKF HIGH TEMP SERIES

CAT ID# XVIEW SK55CF- SK75CF

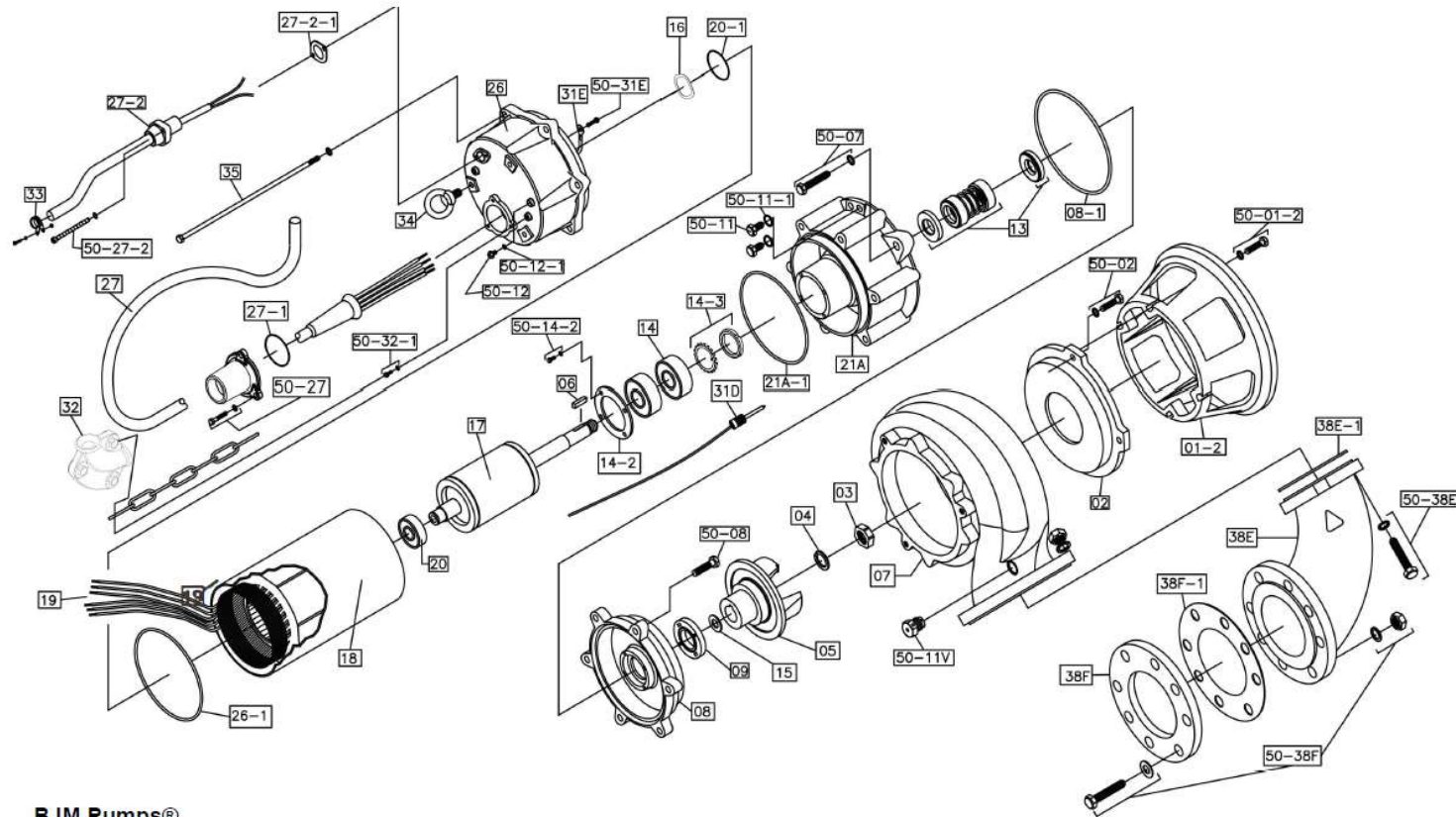
©2024 Industrial Flow Solutions Operating, LLC. All rights reserved.

Industrial Flow Solutions Operating, LLC • 104 John W Murphy Drive, New Haven, CT 06513, USA

(860) 631-3618 • [www.flowsolutions.com](http://www.flowsolutions.com)



SK110CF, SK150CF  
HIGH TEMPERATURE



BJM Pumps®  
SKF HIGH TEMP SERIES

CAT ID# XVIEW SK110CF-SK150CF

©2024 Industrial Flow Solutions Operating, LLC. All rights reserved.

Industrial Flow Solutions Operating, LLC • 104 John W Murphy Drive, New Haven, CT 06513, USA

(860) 631-3618 • [www.flowsolutions.com](http://www.flowsolutions.com)



**Dwg:**

DS-C26-003

**Rev:**

1

**Date:**

9/9/2024


**Pump Model**

Pos.	Part Description	SK1500CF	SK08CF	SK15CF	SK22CF	SK37CF	SK55CF	SK75CF	SK110CF	SK150CF
01-2	Stand Only	202858	202847	202858	202850	202855	201998	201998	202000	202000
02	Suction Cover, Cast Iron	-	202045	202046	202047	202048	202880	202880	202882	202882
02	Suction Cover, Hi-Chrome	202046	-	-	-	-	-	-	-	-
03	Impeller Nut	-	202894	202894	202894	202894	202897	202897	202897	202897
04	Impeller Washer	-	202907	202907	202907	202907	202917	202917	202917	202917
05	Impeller, Heat Treated DI	204565	202956	204565	204566	204567	202136	202138	202945	202947
06	Impeller Key	-	202140	202140	202140	202140	202146	202146	202146	202987
07	Pump Housing	203008	202173	203008	203011	203014	203024	203024	203027	203027
08	Oil Chamber Cover	202213	202213	202213	202218	202218	202221	202221	202223	202223
08-1	O-Ring (Kit Only)	Kit	Kit	Kit	Kit	Kit	Kit	Kit	Kit	Kit
09	Lip Seal FKM	202232	202232	202232	202235	202235	202241	202241	202241	202241
13	Mechanical Seal FKM	204240	204240	204240	204243	204243	200307	200307	200307	200307
13-2	Mechanical Seal Retainer	-	-	-	-	-	202273	202273	202273	202273
14	Lower Ball Bearing ( * =Qty 2 Needed)	205999	205999	205999	206016	206016	206020	206020	206020*	206020*
14-2	Lower Bearing Retainer	202279	202279	202279	202279	202279	203075	203075	203076	203076
14-3	Lock Nut & Lock Washer	-	-	-	-	-	-	-	200424	200424
15	Impeller Shim Kit (Required)	200481	200480	200480	200480	200480	200478	200478	200478	200478
16	Spring Washer	203754	203754	203754	203755	203755	202361	202361	202361	202361
17	Rotor w/ Shaft 230V, 1PH	204734	-	-	-	-	-	-	-	-
17	Rotor w/ Shaft, 3PH	-	204031	204032	204033	204034	204035	204036	204037	204038
18	Stator w/ Casing 230V, 1PH (HT)	201040	-	-	-	-	-	-	-	-
18	Stator w/ Casing 208V, 3PH	-	200525	200529	200533	200537	200670	-	-	-
18	Stator w/ Casing 230/460V, 3PH	-	200547	200551	200555	200559	200573	200577	200581	-
18	Stator w/ Casing 460V, 3PH	-	-	-	-	-	-	-	-	200585
18	Stator w/ Casing 575V, 3PH	-	200589	200593	200597	200601	200617	200623	200630	200637
19	Wire Connection Kit*	204211	204202	204202	204203	204203	204203	204203	CTF	CTF
20	Upper Ball Bearing	206000	206000	206000	205999	205999	206017	206017	206017	206017

©2024 Industrial Flow Solutions Operating, LLC. All rights reserved.

Industrial Flow Solutions Operating, LLC • 104 John W Murphy Drive, New Haven, CT 06513, USA

(860) 631-3618 • [www.flowsolutions.com](http://www.flowsolutions.com)

 <b>INDUSTRIAL FLOW SOLUTIONS™</b>	<b>PARTS LIST/EXPLODED VIEW</b>			<b>BJM Pumps® SKF SERIES</b>					
	<b>Dwg:</b>	DS-C26-003	<b>Rev:</b>	1	<b>Date:</b>	9/9/2024			

Pos.	Part Description	Pump Model								
		SK1500CF	SK08CF	SK15CF	SK22CF	SK37CF	SK55CF	SK75CF	SK110CF	SK150CF
20-1	O-Ring (Kit Only)	-	-	-	-	-	Kit	Kit	Kit	Kit
21A	Oil Chamber/Motor Housing	202196	202196	202196	203030	203030	202199	202199	203032	203032
21A-1	O-Ring (Kit Only)	Kit	Kit	Kit	Kit	Kit	Kit	Kit	Kit	Kit
21B	Motor Cover Upper	202368	-	-	-	-	-	-	-	-
26	Pump Top Cover (w/ Sensor Opening)	202433	202435	202435	202437	202437	203129	203129	203132	203132
26-1	O-Ring Kit Only	Kit	Kit	Kit	Kit	Kit	Kit	Kit	Kit	Kit
27	Power Cable w/ Gland- 3PH (HT)	202783	204452	204452	203776	203776	203776	203776	203778	203778
27-1	O-Ring Kit Only	Kit	Kit	Kit	Kit	Kit	Kit	Kit	Kit	Kit
27-2	Seal Minder/Temp. Sensor Cord (HT)	204455	204453	204453	204453	204453	204453	204453	204453	204453
27-2-1	O-Ring Kit Only	Kit	Kit	Kit	Kit	Kit	Kit	Kit	Kit	Kit
31D	Seal Minder Probe	202408	202408	202408	202410	202410	204001	204001	204001	204001
31E	Ground Wire w/Ring Term.	203145	203145	203145	203145	203145	203145	203145	203145	203145
32	Power Cord Line Clip / Strain Relief	203161	203161	203161	202497	202497	202497	202497	202500	202500
33	Seal Minder Sensor Cord Line Clip	203163	203163	203163	203163	203163	203163	203163	203163	203163
34	Handle / Chain Handle	202517	202517	202517	202509	202509	-	-	-	-
34	Bolt - Suction Cover	-	-	-	-	-	203172	203172	203172	203172
35	Rod Bolts	202668	202669	202670	202671	202672	202676	202677	202678	202679
38	Discharge Nipple 2"	-	202531	-	-	-	-	-	-	-
38	Discharge Nipple 3"	202534	-	202534	202534	202534	-	-	-	-
38E	Discharge Elbow	202558	202570	202558	202558	202558	202818	202572	203187	203187
38E-1	Gasket, Disch. Elbow FKM	203209	203213	203209	203209	203209	203211	203211	202664	202664
38F	Discharge Flange 2"	-	202562	-	-	-	-	-	-	-
38F	Discharge Flange 3"	202545	-	202545	202545	202545	-	-	-	-
38F	Discharge Flange 4"	-	-	-	202552	202552	202575	202575	-	-
38F	Discharge Flange 6" ANSI Slip Weld	-	-	-	-	-	-	-	202548	202548
38F-1	Gasket, Disch. Flange FKM	202660	203207	202660	202660	202660	202662	202662	202664	202664
50-01-2	Bolt for Strainer/Stand	203228	203228	203228	203228	203228	203236	203236	203279	203279

©2024 Industrial Flow Solutions Operating, LLC. All rights reserved.

Industrial Flow Solutions Operating, LLC • 104 John W Murphy Drive, New Haven, CT 06513, USA

(860) 631-3618 • [www.flowsolutions.com](http://www.flowsolutions.com)

