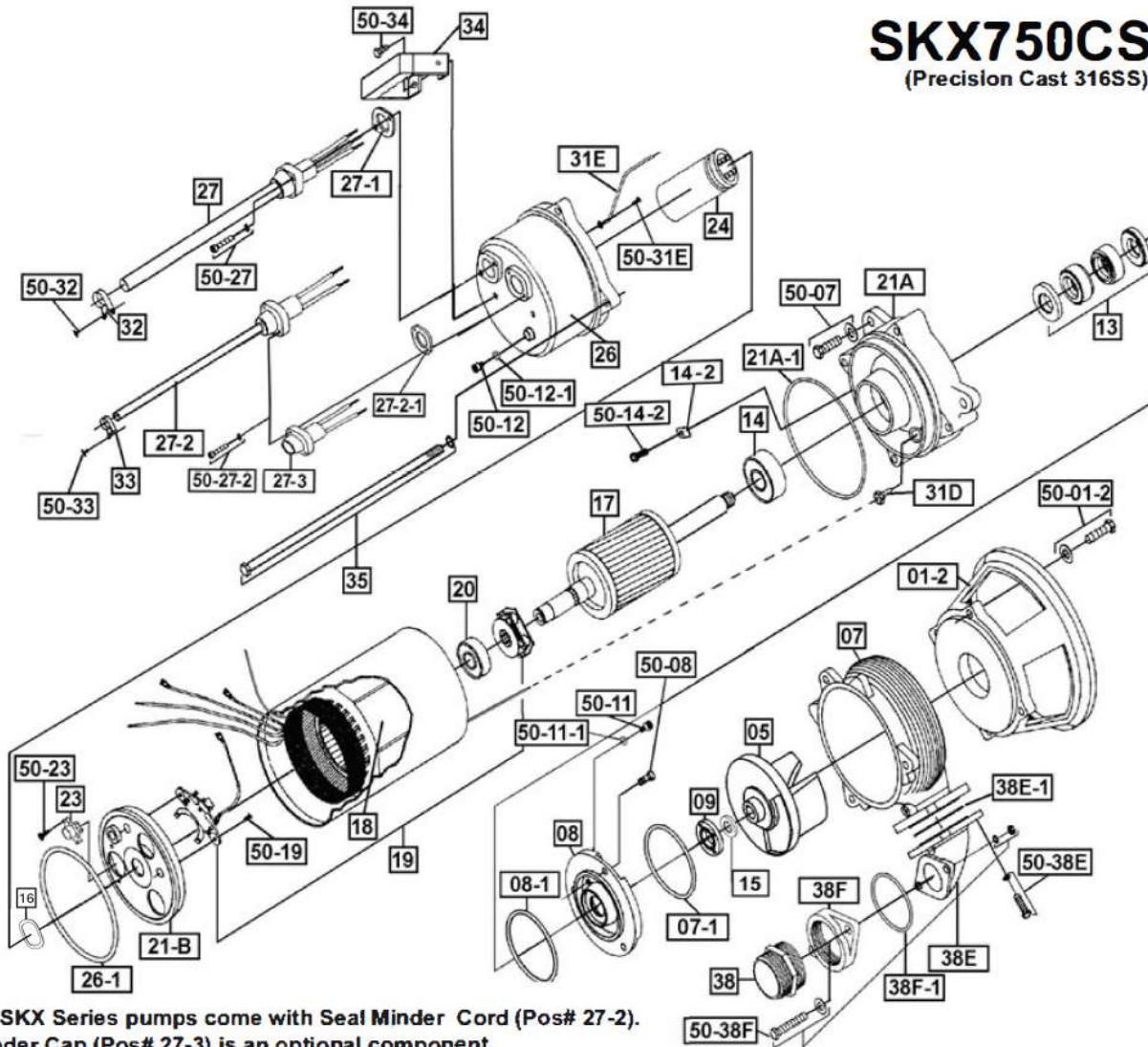




SKX750CSS

(Precision Cast 316SS)



NOTE: SKX Series pumps come with Seal Minder Cord (Pos# 27-2).
Seal Minder Cap (Pos# 27-3) is an optional component.

CAT ID# XVVIEW SKX750CSS

©2024 Industrial Flow Solutions Operating, LLC. All rights reserved.

Industrial Flow Solutions Operating, LLC • 104 John W Murphy Drive, New Haven, CT 06513, USA

(860) 631-3618 • www.flowsolutions.com



INDUSTRIAL
FLOW
SOLUTIONS™

PARTS LIST/EXPLODED VIEW

BJM Pumps® SKXSERIES

Dwg:

DS-C29-004

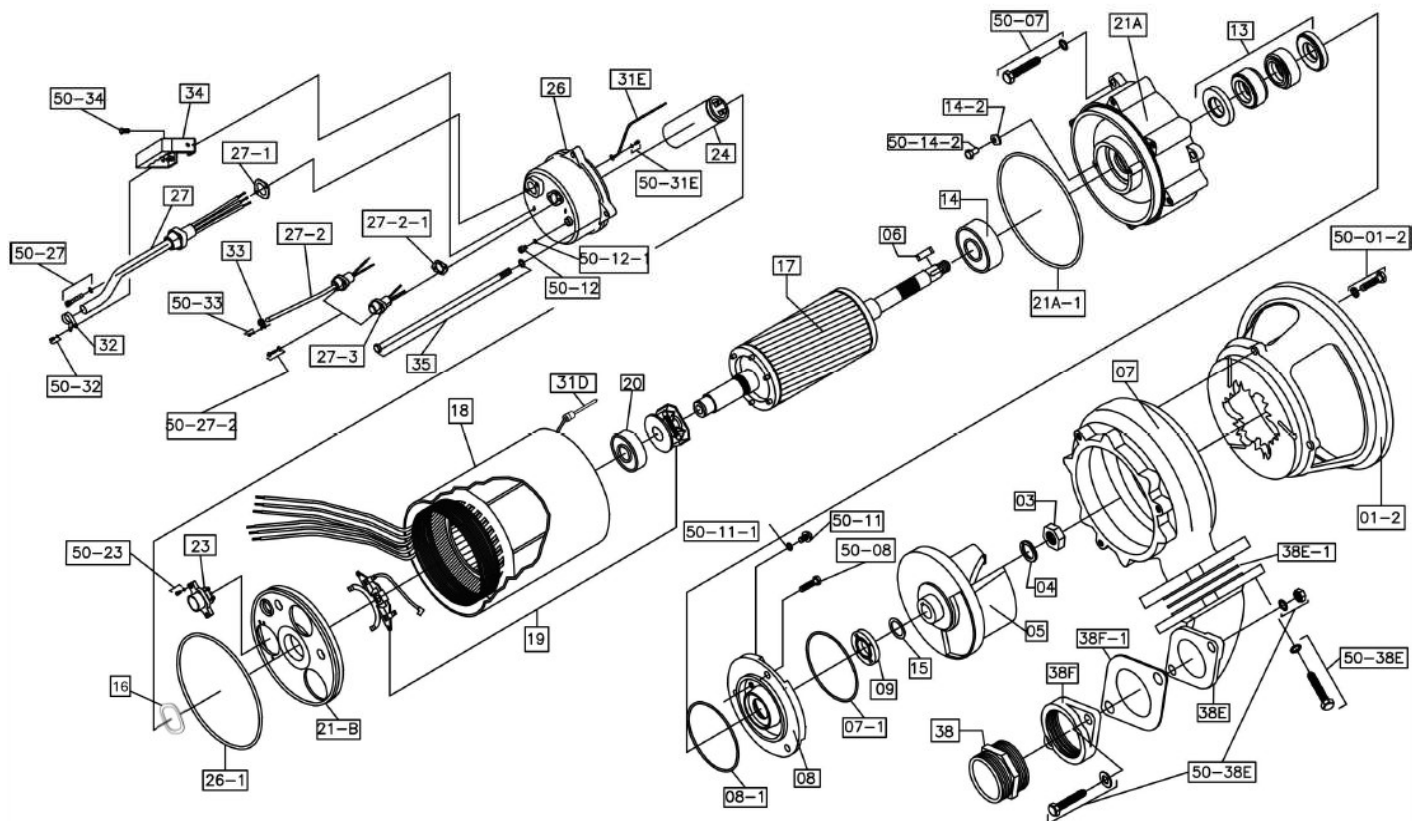
Rev:

1

Date:

9/9/2024

SKX1500CSS



©2024 Industrial Flow Solutions Operating, LLC. All rights reserved.

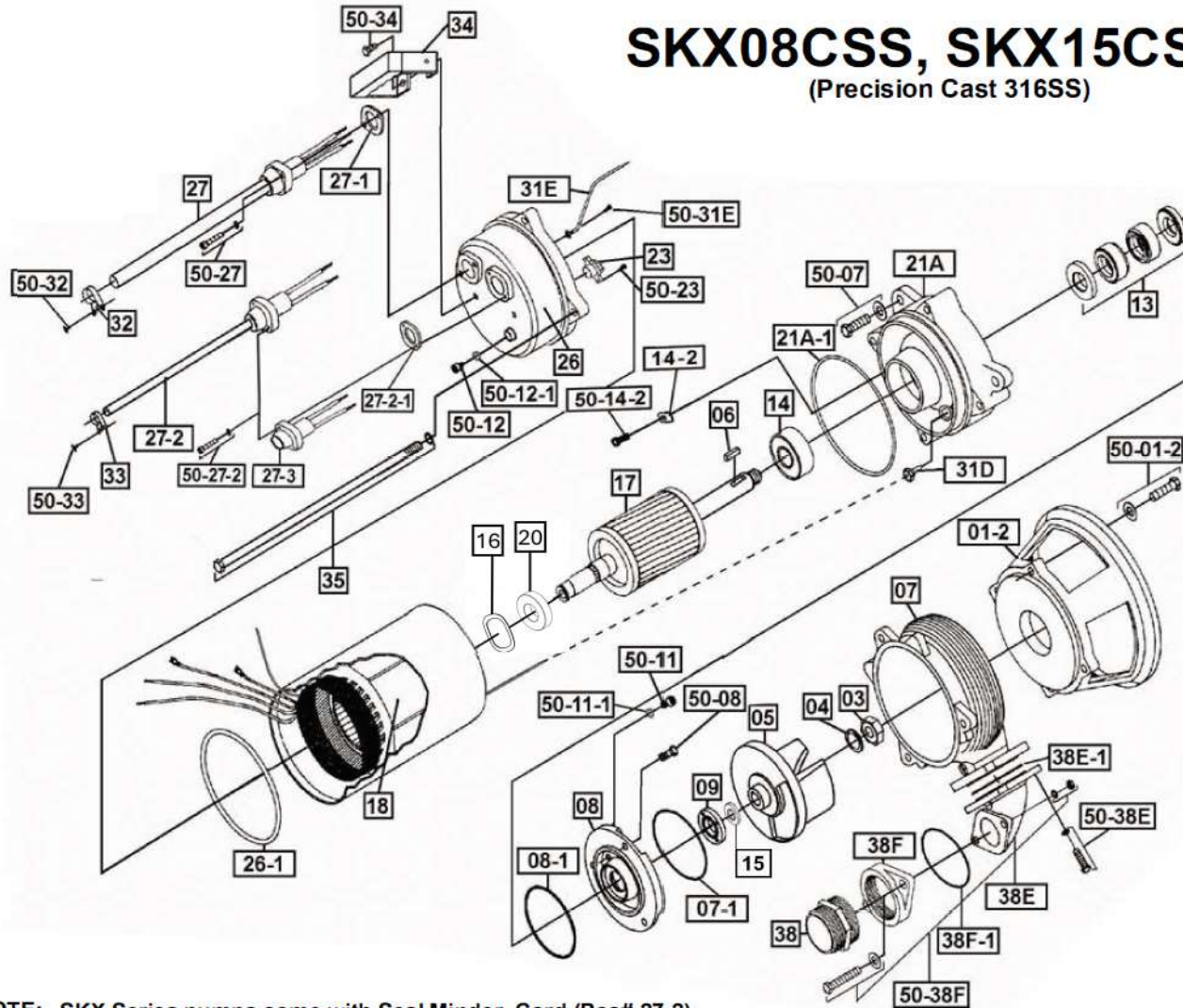
Industrial Flow Solutions Operating, LLC • 104 John W Murphy Drive, New Haven, CT 06513, USA

(860) 631-3618 • www.flowsolutions.com



SKX08CSS, SKX15CSS

(Precision Cast 316SS)



NOTE: SKX Series pumps come with Seal Minder Cord (Pos# 27-2).
Seal Minder Cap (Pos# 27-3) is an optional component.

CAT ID# XVVIEW SKX08CSS-SKX15CSS

©2024 Industrial Flow Solutions Operating, LLC. All rights reserved.

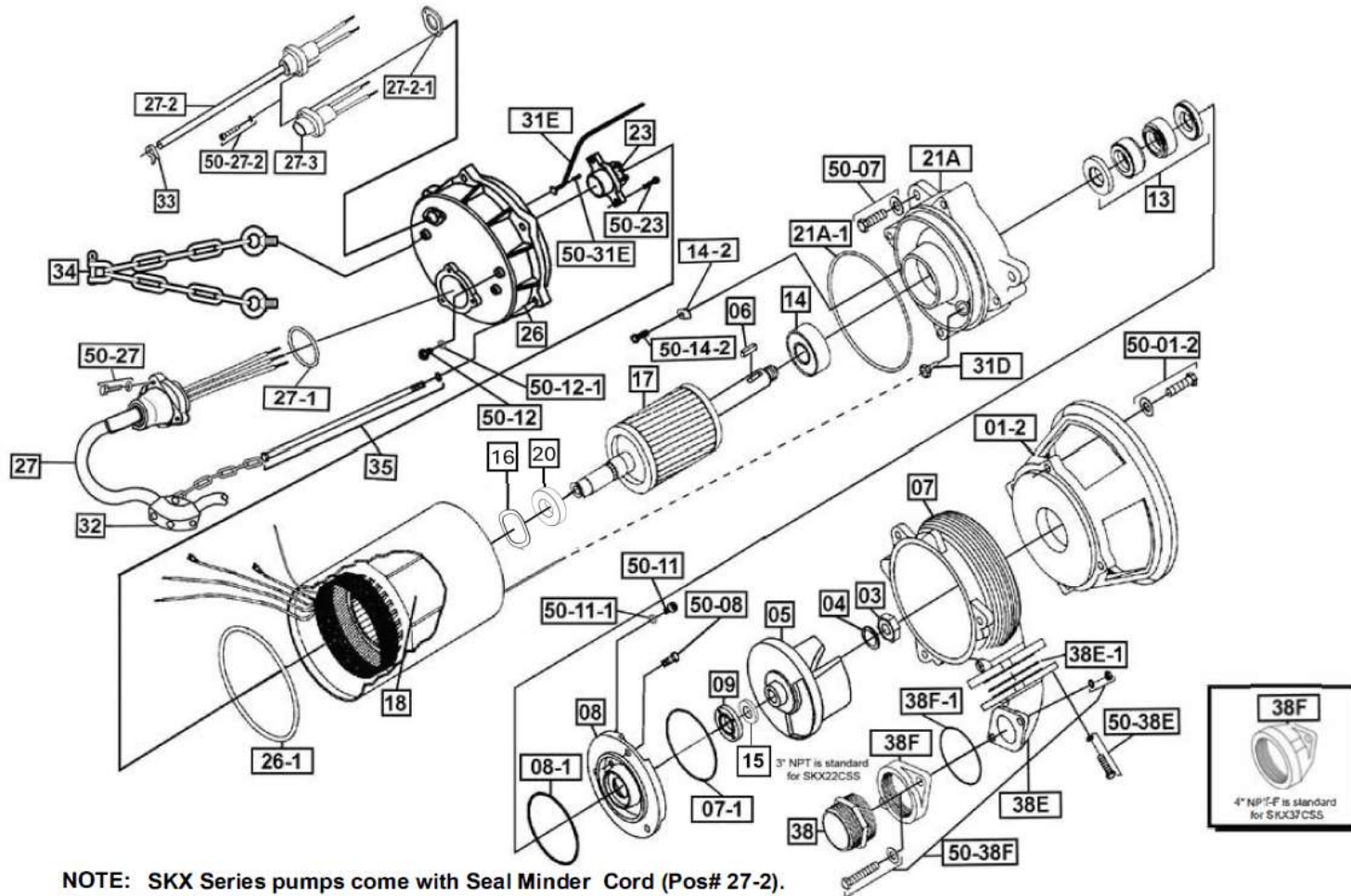
Industrial Flow Solutions Operating, LLC • 104 John W Murphy Drive, New Haven, CT 06513, USA

(860) 631-3618 • www.flowsolutions.com



SKX22CSS, SKX37CSS

(Precision Cast 316SS)



NOTE: SKX Series pumps come with Seal Minder Cord (Pos# 27-2).
Seal Minder Cap (Pos# 27-3) is an optional component.

CAT ID# XVIEW SKX22CSS-SKX37CSS

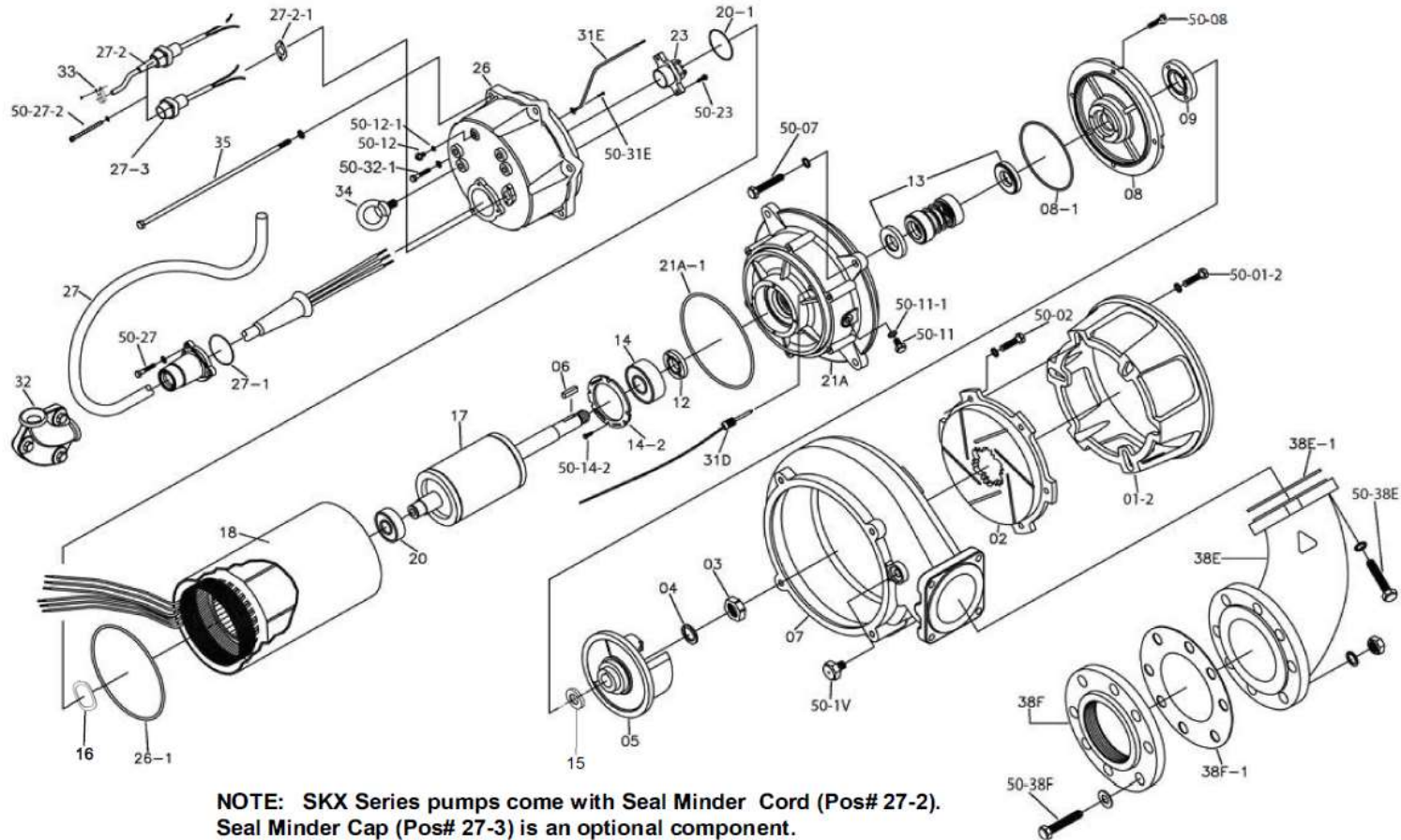
©2024 Industrial Flow Solutions Operating, LLC. All rights reserved.

Industrial Flow Solutions Operating, LLC • 104 John W Murphy Drive, New Haven, CT 06513, USA

(860) 631-3618 • www.flowsolutions.com



SKX55CSS, SKX75CSS



NOTE: SKX Series pumps come with Seal Minder Cord (Pos# 27-2).
Seal Minder Cap (Pos# 27-3) is an optional component.

CAT ID# XVIEW SKX55CSS-SKX75CSS

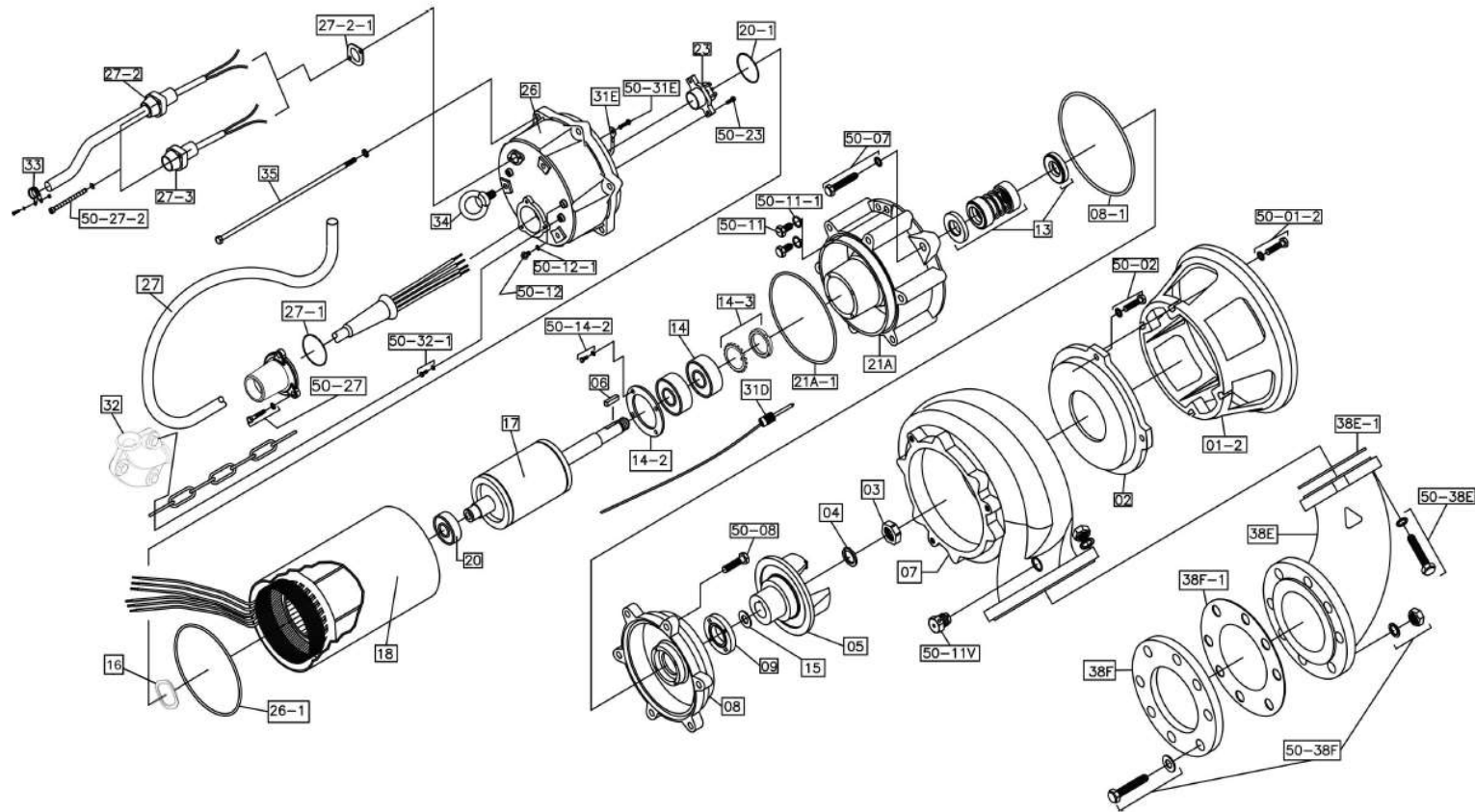
©2024 Industrial Flow Solutions Operating, LLC. All rights reserved.

Industrial Flow Solutions Operating, LLC • 104 John W Murphy Drive, New Haven, CT 06513, USA

(860) 631-3618 • www.flowsolutions.com



SKX110CSS, SKX150CSS



NOTE: SKX Series pumps come with Seal Minder Cord (Pos# 27-2). Seal Minder Cap (Pos# 27-3) is an optional component.

CAT ID# XVIEW SKX110CSS-SKX150CSS

©2024 Industrial Flow Solutions Operating, LLC. All rights reserved.

Industrial Flow Solutions Operating, LLC • 104 John W Murphy Drive, New Haven, CT 06513, USA

(860) 631-3618 • www.flowsolutions.com



**INDUSTRIAL
FLOW
SOLUTIONS™**

PARTS LIST/EXPLODED VIEW

BJM Pumps® SKXSERIES

Dwg:

DS-C29-004

Rev:

1

Date:

9/9/2024

Pump Model

Pos.	Part Description	SKX750CSS	SKX1500CSS	SKX08CSS	SKX15CSS	SKX22CSS	SKX37CSS	SKX55CSS	SKX75CSS	SKX110CSS	SKX150CSS
01-2	Stand Only	201988	201995	201988	201995	201989	201994	201999	201999	202001	202001
02	Suction Cover	-	-	-	-	-	-	202881	202881	202040	202040
03	Impeller Nut	-	202894	202894	202894	202894	202894	202897	202897	202897	202897
04	Impeller Washer	-	202907	202907	202907	202907	202907	202917	202917	202917	202917
05	Impeller	202951	204628	202958	204628	204629	204630	202137	202139	202946	202948
06	Impeller Key	-	202140	202140	202140	202140	202140	202146	202146	202146	202987
07	Pump Housing	202176	202172	202176	202172	202177	202181	202190	202190	202194	202194
07-1	O-Ring (Kit Only)	Kit	Kit	Kit	Kit	Kit	Kit	-	-	-	-
08	Oil Chamber Cover	202214	202214	202214	202214	202219	202219	202222	202222	202224	202224
08-1	O-Ring (Kit Only)	Kit	Kit	Kit	Kit	Kit	Kit	Kit	Kit	Kit	Kit
09	Lip Seal FKM	202232	202232	202232	202232	202235	202235	202241	202241	202241	202241
09	Lip Seal Buna-N (Optional)	203051	203051	203051	203051	202234	202234	202238	202238	202238	202238
09	Lip Seal EPDM (Optional)	203052	203052	203052	203052	203054	203054	203061	203061	203061	203061
12	Lip Seal for Lower Bearing	-	-	-	-	-	-	203055	203055	-	-
13	Mechanical Seal FKM**	204240	204240	204240	204240	204243	204243	200307	200307	200307	200307
13	Mechanical Seal Buna-N (Optional)	200501	200501	200501	200501	200302	200302	200308	200308	200308	200308
14	Lower Ball Bearing (*=qty 2 Needed)	200958	200958	200958	200958	200959	200959	200962	200962	200962*	200962*
14-2	Lower Bearing Retainer	202279	202279	202279	202279	202279	202279	203075	203075	203076	203076
14-3	Lock Nut & Lock Washer									200424	200424
15	Impeller Shim Kit (Required)	200481	200481	200480	200480	200480	200480	200478	200478	200478	200478
16	Spring Washer	203754	203754	203754	203754	203755	203755	202361	202361	202361	202361
17	Rotor w/ Shaft 115/230V, 1PH	203089	-	-	-	-	-	-	-	-	-
17	Rotor w/ Shaft 2PH	-	204716	-	-	-	-	-	-	-	-
17	Rotor w/ Shaft, 3PH	-	-	202308	202312	202316	202320	202334	202336	202338	202340
18	Stator w/ Casing 115V, 1PH	200513	-	-	-	-	-	-	-	-	-
18	Stator w/ Casing 230V, 1PH	200571	200516	-	-	-	-	-	-	-	-
18	Stator w/ Casing 208V, 3PH	-	-	200526	200530	200534	200538	200671	-	-	-

©2024 Industrial Flow Solutions Operating, LLC. All rights reserved.

Industrial Flow Solutions Operating, LLC • 104 John W Murphy Drive, New Haven, CT 06513, USA

(860) 631-3618 • www.flowsolutions.com



**INDUSTRIAL
FLOW
SOLUTIONS™**

PARTS LIST/EXPLODED VIEW

BJM Pumps® SKXSERIES

Dwg:

DS-C29-004

Rev:

1

Date:

9/9/2024

Pump Model

Pos.	Part Description	SKX750CSS	SKX1500CSS	SKX08CSS	SKX15CSS	SKX22CSS	SKX37CSS	SKX55CSS	SKX75CSS	SKX110CSS	SKX150CSS
18	Stator w/ Casing 230/460V,3PH	-	-	200548	200552	200556	200560	200574	200578	200582	-
18	Stator w/ Casing 460V,3PH	-	-	-	-	-	-	-	-	-	200586
18	Stator w/ Casing 575V, 3PH	-	-	200590	200594	200598	200602	200618	200624	200631	200638
19	Governor Switch w/Switch Plate	202360	202360	-	-	-	-	-	-	-	-
20	Upper Ball Bearing	200967	200967	200967	200967	200958	200958	200968	200968	200968	200968
20-1	O-Ring (Kit Only)	-	-	-	-	-	-	Kit	Kit	Kit	Kit
21A	Oil Chamber/Motor Housing	202197	202197	202197	202197	202198	202198	202200	202200	202201	202201
21A-1	O-Ring (Kit Only)	Kit	Kit	Kit	Kit	Kit	Kit	Kit	Kit	Kit	Kit
21B	Motor Cover Upper	202368	202368	-	-	-	-	-	-	-	-
23	Overload Protector 115V, 1PH	202383	-	-	-	-	-	-	-	-	-
23	Overload Protector 230V, 1PH	202395	202383	-	-	-	-	-	-	-	-
23	Overload Protector 208V, 3PH	-	-	202385	202388	202390	202392	202394	-	-	-
23	Overload Protector 230V, 3PH	-	-	202385	202388	202390	202392	202394	-	-	-
23	Overload Protector 460V, 3PH	-	-	202387	202386	202389	202391	202393	202394	202398	202397
23	Overload Protector 575V, 3PH	-	-	202399	202387	202386	202389	202391	202393	202394	202398
24	Capacitor 115V	202417	-	-	-	-	-	-	-	-	-
24	Capacitor 230V	202418	202420	-	-	-	-	-	-	-	-
26	Pump Top Cover (w/ Sensor opening)	202434	202434	202436	202436	202818	202438	203130	203130	202444	202444
26-1	O-Ring (Kit Only)	Kit	Kit	Kit	Kit	Kit	Kit	Kit	Kit	Kit	Kit
27	Power Cable w/ Gland- 115V, 1PH	204262	-	-	-	-	-	-	-	-	-
27	Power Cable w/ Gland- 230V, 1 PH, No Plug	201695	201695	-	-	-	-	-	-	-	-
27	Power Cable w/ Gland- 3PH	-	-	201702	201702	203443	203445	203447	203447	203449	203449
27-1	O-Ring (Kit Only)	Kit	Kit	Kit	Kit	Kit	Kit	Kit	Kit	Kit	Kit
27-2	Seal Minder Cable	201713	201713	201713	201713	201713	201713	201713	201713	201713	201713
27-2-1	O-Ring Kit Only	Kit	Kit	Kit	Kit	Kit	Kit	Kit	Kit	Kit	Kit
27-3	Seal Minder Cap	201718	201718	201718	201718	201718	201718	201718	201718	201718	201718
31D	Seal Minder Probe	202408	202408	202408	202408	202410	202410	204001	204001	204001	204001

©2024 Industrial Flow Solutions Operating, LLC. All rights reserved.

Industrial Flow Solutions Operating, LLC • 104 John W Murphy Drive, New Haven, CT 06513, USA

(860) 631-3618 • www.flowsolutions.com



Pump Model

Pos.	Part Description	SKX750CSS	SKX1500CSS	SKX08CSS	SKX15CSS	SKX22CSS	SKX37CSS	SKX55CSS	SKX75CSS	SKX110CSS	SKX150CSS
31E	Ground Wire w/Ring Term.	203145	203145	203145	203145	203145	203145	203145	203145	203145	203145
32	Power Cord Line Clip / Strain Relief	203166	203166	203161	203161	202504	202499	202499	202499	202500	202500
33	Seal Minder Cable Line Clip	203163	203163	203163	203163	203163	203163	203163	203163	203163	203163
34	Handle / Chain Handle	202517	202517	202517	202517	202510	202510	-	-	-	-
34	Lifting Ring	-	-	-	-	-	-	202520	202520	202520	202520
35	Rod Bolts	202682	202683	202684	202685	202686	202687	202676	202677	202678	202679
38	Discharge Nipple 2"	202532	-	202532	-	-	-	-	-	-	-
38	Discharge Nipple 3"	-	202535	-	202535	202535	202535	-	-	-	-
38E	Discharge Elbow	202571	202559	202571	202559	202559	202559	202573	202573	202574	202574
38E-1	O-Ring, Discharge Elbow FKM	203326	203327	203326	203327	203327	203327	-	-	-	-
38E-1	Gasket, Discharge Elbow FKM	-	-	-	-	-	-	203211	203211	202664	202664
38E-1	Gasket, Disch. Elbow Buna-N (Optional)	-	-	-	-	-	-	203210	203210	202663	202663
38F	Discharge Flange 2"	202563	-	202563	-	-	-	-	-	-	-
38F	Discharge Flange 3"	-	202546	-	202546	202546	202546	-	-	-	-
38F	Discharge flange 4"	-	-	-	-	202553	202553	202576	202576	-	-
38F	Discharge flange 6" ANSI Slip Weld	-	-	-	-	-	-	-	-	202549	202549
38F-1	O-Ring 2" Discharge Flange FKM	202723	-	202723	-	-	-	-	-	-	-
38F-1	O-Ring, 3" Discharge Flange FKM	-	202724	-	202724	202724	202724	-	-	-	-
38F-1	O-Ring, 4" Discharge Flange FKM	-	-	-	-	203328	203328	-	-	-	-
38F-1	Gasket, 4" Discharge Flange FKM	-	-	-	-	-	-	202662	202662	-	-
38F-1	Gasket, 6" Discharge Flange FKM	-	-	-	-	-	-	-	-	202664	202664
38F-1	Gasket, 4" Disch. Flange Buna-N (Optional)	-	-	-	-	-	-	202661	202661	-	-
38F-1	Gasket, 6" Disch. Flange Buna-N (Optional)	-	-	-	-	-	-	-	-	202663	202663
50-01-2	Bolt for Strainer/Stand	203228	203228	203228	203228	203228	203228	203236	203236	203279	203279
50-02	Bolt for Suction Cover	-	-	-	-	-	-	203236	203236	203279	203279
50-07	Screw for Oil Chamber/Motor Housing	203296	203296	203296	203296	203296	203296	203271	203271	203280	203280
50-08	Screw for Oil Chamber Cover	203219	203219	203219	203219	203219	203219	203246	203246	203281	203281

©2024 Industrial Flow Solutions Operating, LLC. All rights reserved.

Industrial Flow Solutions Operating, LLC • 104 John W Murphy Drive, New Haven, CT 06513, USA

(860) 631-3618 • www.flowsolutions.com



Pump Model

Table with 12 columns: Pos., Part Description, SKX750CSS, SKX1500CSS, SKX08CSS, SKX15CSS, SKX22CSS, SKX37CSS, SKX55CSS, SKX75CSS, SKX110CSS, SKX150CSS. Rows include various components like screws, O-rings, and valves for different pump models.

**F" Series High Temperature Pumps Only

** New Rotor With Shaft Required When Upgrading From 202125 Impeller to 204628 Impeller.

©2024 Industrial Flow Solutions Operating, LLC. All rights reserved.