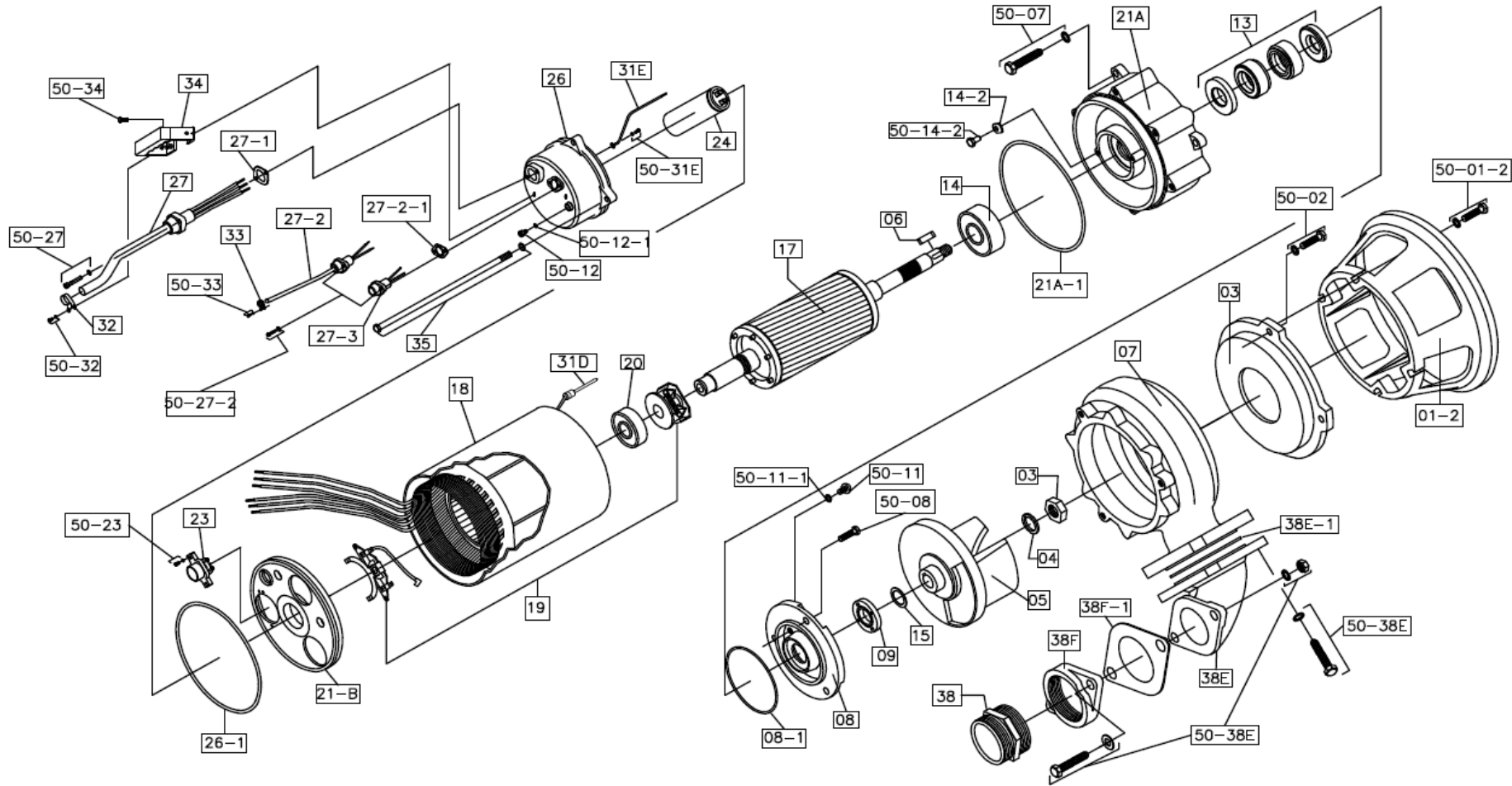




SK750C & SK1500C



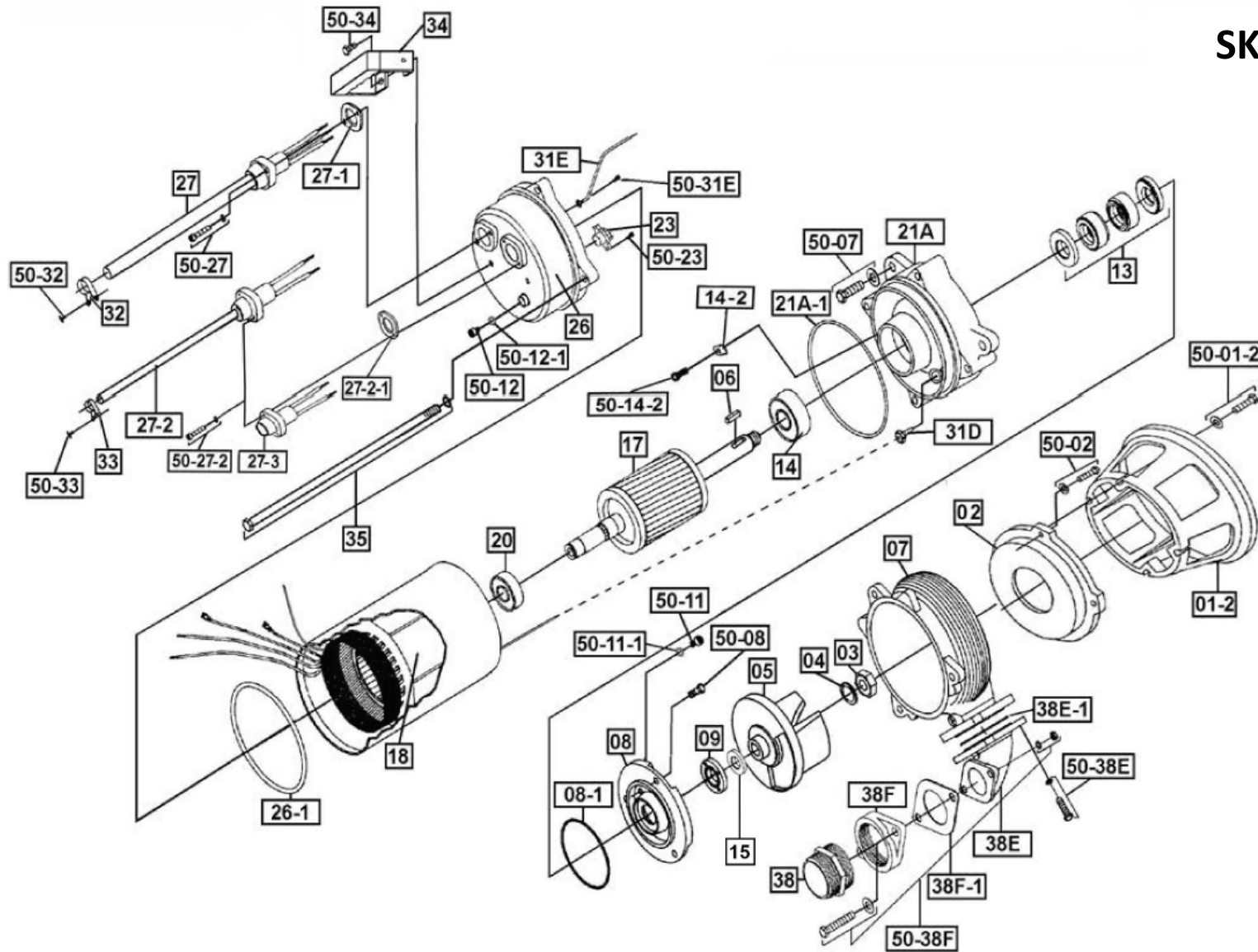
©2024 Industrial Flow Solutions Operating, LLC. All rights reserved.

Industrial Flow Solutions Operating, LLC • 104 John W Murphy Drive, New Haven, CT 06513, USA

(860) 631-3618 • www.flowsolutions.com



SK08C & SK15C



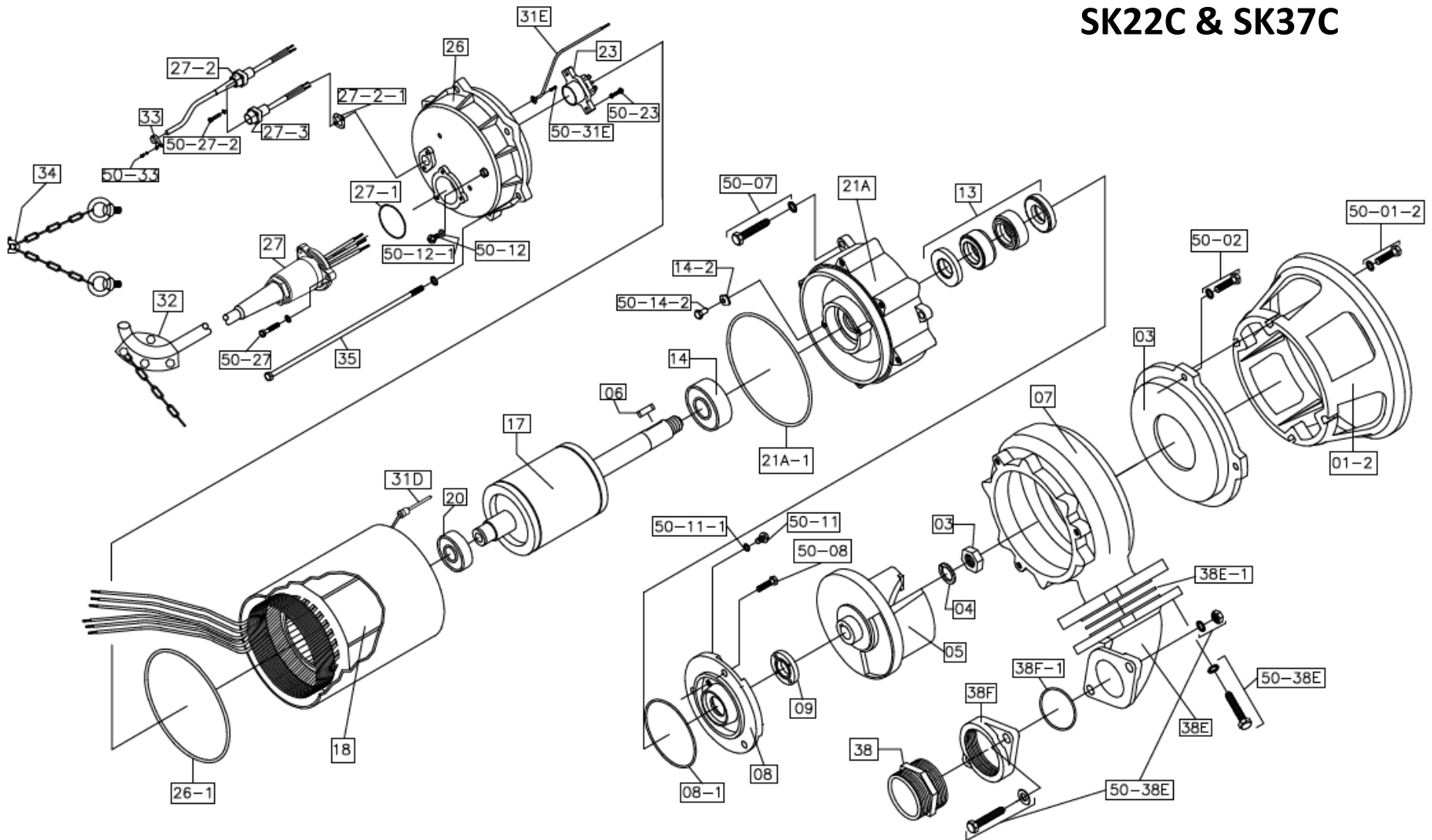
©2024 Industrial Flow Solutions Operating, LLC. All rights reserved.

Industrial Flow Solutions Operating, LLC • 104 John W Murphy Drive, New Haven, CT 06513, USA

(860) 631-3618 • www.flowsolutions.com



SK22C & SK37C



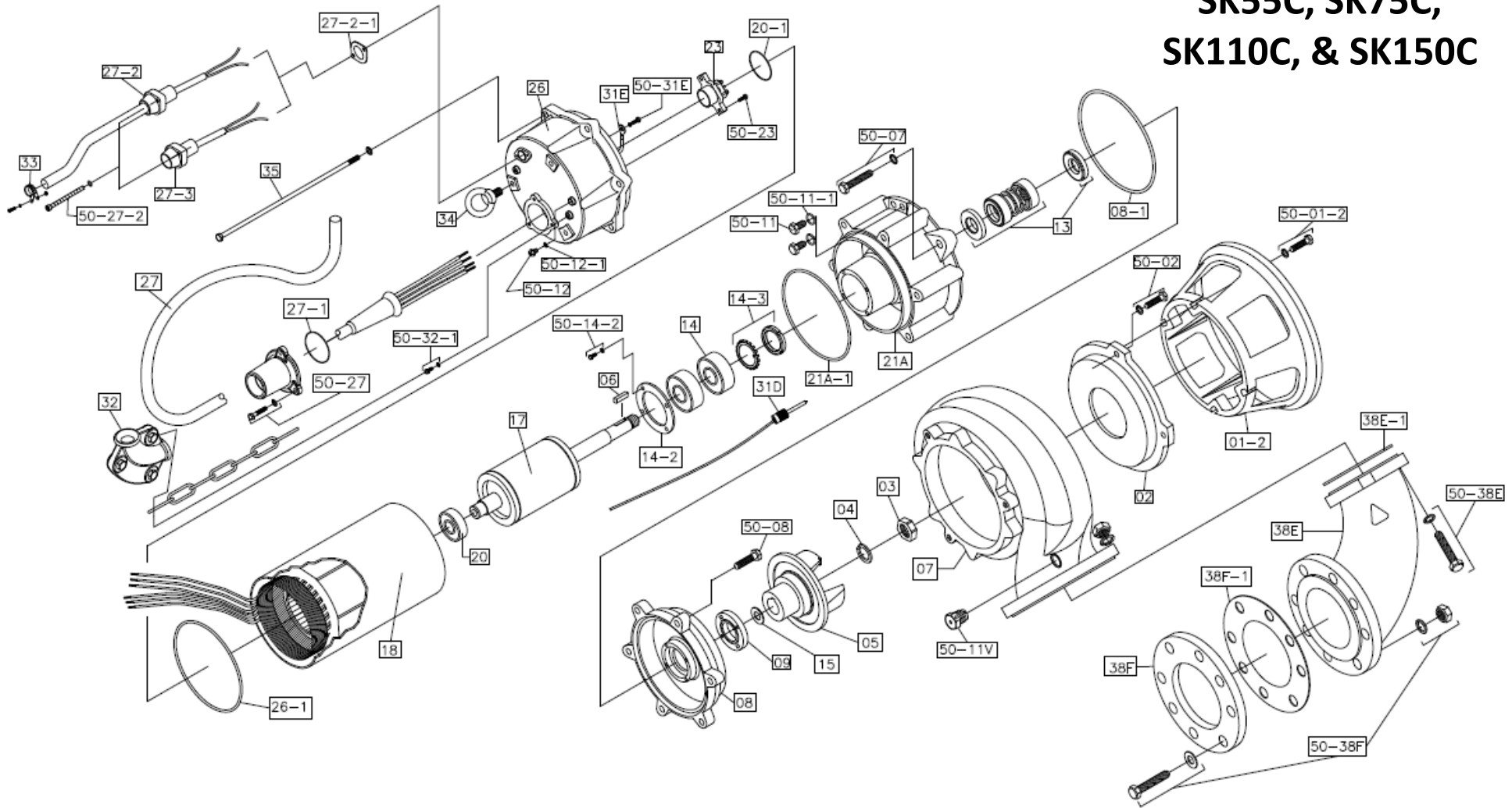
©2024 Industrial Flow Solutions Operating, LLC. All rights reserved.

Industrial Flow Solutions Operating, LLC • 104 John W Murphy Drive, New Haven, CT 06513, USA

(860) 631-3618 • www.flowsolutions.com



SK55C, SK75C, SK110C, & SK150C



©2024 Industrial Flow Solutions Operating, LLC. All rights reserved.

Industrial Flow Solutions Operating, LLC • 104 John W Murphy Drive, New Haven, CT 06513, USA

(860) 631-3618 • www.flowsolutions.com



Pump Model

Pos	Part Description	Qty	SKX750SSF	SKX1500SSF	SKX08SSF	SKX15SSF	SKX22SSF	SKX37SSF	SKX55SSF	SKX75SSF	SKX110SSF	SKX150SSF
01-2	Stand Only	1	201988	201995	201988	201995	201989	201994	201999	201999	202001	202001
02	Suction Cover	1	--	--	--	--	--	--	202881	202881	202040	202040
03	Impeller Nut	1	--	202894	202894	202894	202894	202894	202897	202897	202897	202897
04	Impeller Washer	1	--	202907	202907	202907	202907	202907	202917	202917	202917	202917
05	Impeller	1	202951	204628	202958	204628	204629	204630	202137	202139	202946	202948
06	Impeller Key	1	--	202140	202140	202140	202140	202140	202146	202146	202146	202987
07	Pump Housing	1	202176	202172	202176	202172	202177	202181	202190	202190	202194	202194
07-1	O-Ring (Kit Only)	1	Kit	Kit	Kit	Kit	Kit	Kit	--	--	--	--
08	Oil Chamber Cover	1	202214	202214	202214	202214	202219	202219	202222	202222	202224	202224
08-1	O-Ring (Kit Only)	1	Kit	Kit	Kit	Kit	Kit	Kit	Kit	Kit	Kit	Kit
09	Lip Seal FKM	1	202232	202232	202232	202232	202235	202235	202243	202243	202243	202243
13	Mechanical Seal FKM	1	204240	204240	204240	204240	204243	204243	200307	200307	200307	200307
13-2	Mechanical Seal Retainer	1	--	--	--	--	--	--	202273	202273	202273	202273
14	Lower Ball Bearing	1	205999	205999	205999	205999	206016	206016	206020	206020	--	--
14	Lower Ball Bearing	2	--	--	--	--	--	--	--	--	206020	206020
14-2	Lower Bearing Retainer	1	202279	202279	202279	202279	202279	202279	203075	203075	203076	203076
14-3	Lock Nut & Lock Washer	1	--	--	--	--	--	--	--	--	200424	200424
15	Impeller Shim Kit	1	200481	200481	200480	200480	200480	200480	200478	200478	200478	200478
16	Spring Washer	1	203754	203754	203754	203754	203755	203755	202361	202361	202361	202361
17	Rotor w/ Shaft 115/230V, 1PH	1	204061	204735	--	--	--	--	--	--	--	--
17	Rotor w/ Shaft, 3PH	1	--	--	204021	204022	204023	204024	204027	204028	204029	204030
18	Stator w/ Casing 115V, 1PH	1	201038	--	--	--	--	--	--	--	--	--
18	Stator w/ Casing 230V, 1PH	1	201039	201041	--	--	--	--	--	--	--	--
18	Stator w/ Casing 208V, 3PH	1	--	--	200527	200531	200535	200539	200672	--	--	--
18	Stator w/ Casing 230/460V,3PH	1	--	--	200549	200553	200557	200561	200575	200579	200583	--
18	Stator w/ Casing 460V,3PH	1	--	--	--	--	--	--	--	--	--	200587
18	Stator w/ Casing 575V, 3PH	1	--	--	200591	200595	200599	200603	200619	200625	200632	200639
19	Wire Connection Kit	1	204211	204211	204202	204202	204203	204203	204203	204203	204398	204398

©2024 Industrial Flow Solutions Operating, LLC. All rights reserved.

Industrial Flow Solutions Operating, LLC • 104 John W Murphy Drive, New Haven, CT 06513, USA

(860) 631-3618 • www.flowsolutions.com



Pump Model

Pos	Part Description	Qty	SKX750SSF	SKX1500SSF	SKX08SSF	SKX15SSF	SKX22SSF	SKX37SSF	SKX55SSF	SKX75SSF	SKX110SSF	SKX150SSF
20	Upper Ball Bearing	1	206000	206000	206000	206000	205999	205999	206017	206017	206017	206017
20-1	O-Ring (Kit Only)	1	--	--	--	--	--	--	Kit	Kit	Kit	Kit
21A	Oil Chamber/Motor Housing	1	202197	202197	202197	202197	202198	202198	202200	202200	202201	202201
21A-1	O-Ring (Kit Only)	1	Kit	Kit	Kit	Kit	Kit	Kit	Kit	Kit	Kit	Kit
21B	Motor Cover Upper	1	202368	202368	--	--	--	--	--	--	--	--
26	Pump Top Cover (w/ Sensor opening)	1	202434	202434	202436	202436	202438	202438	203130	203130	202444	202444
26-1	O-Ring (Kit Only)	1	Kit	Kit	Kit	Kit	Kit	Kit	Kit	Kit	Kit	Kit
27	Power Cable w/ Gland- 115V, 1PH	1	202783	--	--	--	--	--	--	--	--	--
27	Power Cable w/ Gland- 230V, 1 PH	1	202784	202783	--	--	--	--	--	--	--	--
27	Power Cable w/ Gland- 3PH	1	--	--	201733	201733	203777	203777	203777	203777	203779	203779
27-1	O-Ring (Kit Only)	1	Kit	Kit	Kit	Kit	Kit	Kit	Kit	Kit	Kit	Kit
27-2	Seal Minder/Temp. Sensor Cord (High)	1	201743	201743	201741	201741	201741	201741	201741	201741	201741	201741
27-2-1	O-Ring Kit Only	1	Kit	Kit	Kit	Kit	Kit	Kit	Kit	Kit	Kit	Kit
31D	Seal Minder Probe	1	202408	202408	202408	202408	202410	202410	204001	204001	204001	204001
31E	Ground Wire w/Ring Term.	1	203145	203145	203145	203145	203145	203145	203145	203145	203145	203145
32	Power Cord Line Clip / Strain Relief	1	203166	203166	203161	203161	202499	202499	202499	202499	202500	202500
33	Seal Minder Cable Line Clip	1	203163	203163	203163	203163	203163	203163	203163	203163	203163	203163
34	Handle / Chain Handle	1	202517	202517	202517	202517	202510	202510	--	--	--	--
34	Lifting Ring	3	--	--	--	--	--	--	202520	202520	202520	202520
35	Bolt - Suction Cover	4	202682	202683	202684	202685	202686	202687	202676	202677	202678	202679
38	Discharge Nipple 2"	1	202532	--	202532	--	--	--	--	--	--	--
38	Discharge Nipple 3"	1	--	202535	--	202535	202535	202535	--	--	--	--
38E	Discharge Elbow	1	202571	202559	202571	202559	202559	202559	202573	202573	202574	202574
38E-1	O-Ring, Discharge Elbow FKM	1	203326	203327	203326	203327	203327	203327	202818	--	--	--
38E-1	Gasket, Discharge Elbow FKM	1	--	--	--	--	--	--	203211	203211	202664	202664
38F	Discharge Flange 2"	1	202563	--	202563	--	--	--	--	--	--	--
38F	Discharge Flange 3"	1	--	202546	--	202546	202546	202546	--	--	--	--
38F	Discharge flange 4"	1	--	--	--	--	202553	202553	202576	202576	--	--

©2024 Industrial Flow Solutions Operating, LLC. All rights reserved.

Industrial Flow Solutions Operating, LLC • 104 John W Murphy Drive, New Haven, CT 06513, USA

(860) 631-3618 • www.flowsolutions.com



Pump Model

Pos	Part Description	Qty	SKX750SSF	SKX1500SSF	SKX08SSF	SKX15SSF	SKX22SSF	SKX37SSF	SKX55SSF	SKX75SSF	SKX110SSF	SKX150SSF
38F	Discharge flange 6" ANSI Slip Weld	1	--	--	--	--	--	--	--	--	202549	202549
38F-1	O-Ring 2" Discharge Flange FKM	1	202723	--	202723	--	--	--	--	--	--	--
38F-1	O-Ring, 3" Discharge Flange FKM	1	--	202724	--	202724	202724	202724	--	--	--	--
38F-1	O-Ring/Gasket, 4" Discharge Flange FKM	1	--	--	--	--	203328	203328	202662	202662	--	--
38F-1	Gasket, 6" Discharge Flange FKM	1	--	--	--	--	--	--	--	--	202664	202664
50-01-2	Bolt for Strainer/Stand	4	203228	203228	203228	203228	203228	203228	203236	203236	203279	203279
50-02	Bolt for Suction Cover	4	203228	203228	--	--	--	--	203236	203236	203279	203279
50-07	Screw for Oil Chamber/Motor Housing	3	203296	203296	203296	203296	203296	203296	203271	203271	203280	203280
50-08	Screw for Oil Chamber Cover	3	203219	203219	203219	203219	203219	203219	203246	203246	203281	203281
50-11	Screw for Oil Fill	1	203218	203218	203218	203218	203218	203218	203261	203261	203282	203282
50-11-1	O-Ring (Kit Only)	1	Kit	Kit	Kit	Kit	Kit	Kit	Kit	Kit	Kit	Kit
50-11V	Air Release Valve	1	--	--	--	--	--	--	202707	202707	202707	202707
50-12	Screw for Pressure Check	1	203218	203218	203218	203218	203218	203218	203218	203218	203218	203218
50-12-1	O-Ring (Kit Only)	1	Kit	Kit	Kit	Kit	Kit	Kit	Kit	Kit	Kit	Kit
50-13-2	Screw for Seal Retainer	2	--	--	--	--	--	--	203214	203214	203214	203214
50-14-2	Screw for Bearing Retainer Plate	4	203219	203219	203219	203219	203219	203219	203220	203220	203220	203220
50-27	Screw for Power Cord	2	203295	203295	203295	203295	--	--	--	--	--	--
50-27	Screw for Power Cord	3	--	--	--	--	203246	203246	203246	203246	203246	203246
50-27-2	Screw for Seal Minder Cable	2	203295	203295	203295	203295	203295	203295	203295	203295	203295	203295
50-31E	Screw for Ground Wire	1	202692	202692	202692	202692	202692	202692	202692	202692	202692	202692
50-32	Screw for Line Clip	1	203214	203214	203214	203214	--	--	--	--	--	--
50-33	Screw for Line Clip	1	203214	203214	203214	203214	203214	203214	203214	203214	203214	203214
50-32-1	Bolt for Power Cord Strain Relief	1	--	--	--	--	--	--	203284	203284	203284	203284
50-34	Screw for Handle	2	203219	203219	203219	203219	--	--	--	--	--	--
50-38E	Bolt for Discharge Elbow	4	203294	203271	203294	203271	203271	203271	203276	203276	203278	203278
50-38F	Bolt for Discharge Flange	2	203229	203294	203229	203294	203294	203294	--	--	--	--
50-38F	Bolt for Discharge Flange	6	--	--	--	--	--	--	203277	203277	203278	203278
O-Ring Kit - FKM		1	202630	202630	202647	202647	202642	202642	202652	202652	203202	203202

©2024 Industrial Flow Solutions Operating, LLC. All rights reserved.

Industrial Flow Solutions Operating, LLC • 104 John W Murphy Drive, New Haven, CT 06513, USA

(860) 631-3618 • www.flowsolutions.com