

©2024 Industrial Flow Solutions Operating, LLC. All rights reserved.

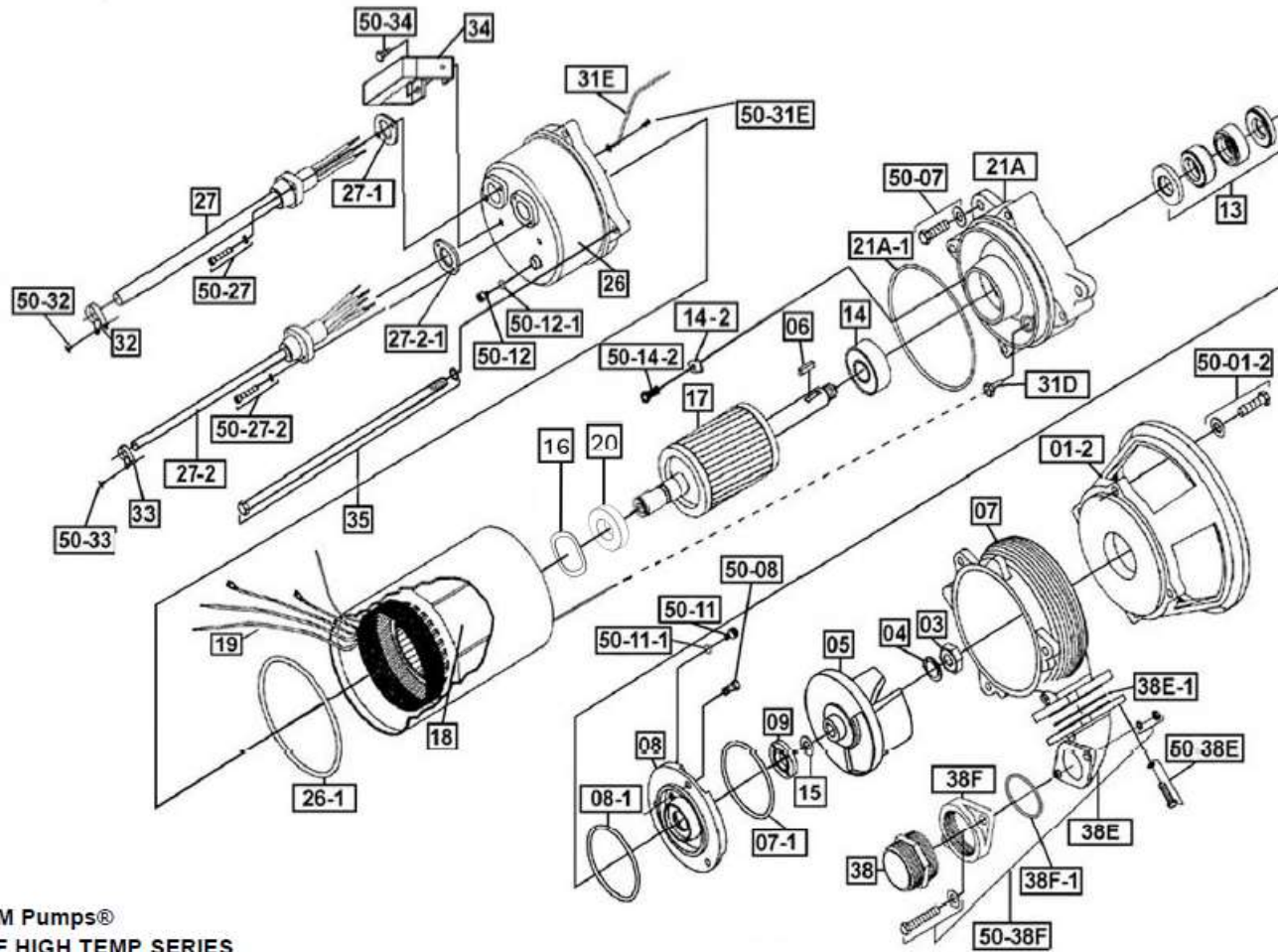
Industrial Flow Solutions Operating, LLC • 104 John W Murphy Drive, New Haven, CT 06513, USA

(860) 631-3618 • www.flowsolutions.com



SX08CSSF, SX15CSSF

HIGH TEMPERATURE



BJM Pumps®
SXF HIGH TEMP SERIES

CAT ID# XVIEW SX08CSSF- SX15CSSF

©2024 Industrial Flow Solutions Operating, LLC. All rights reserved.

Industrial Flow Solutions Operating, LLC • 104 John W Murphy Drive, New Haven, CT 06513, USA

(860) 631-3618 • www.flowsolutions.com



INDUSTRIAL
FLOW
SOLUTIONS™

PARTS LIST/EXPLODED VIEW

BJM Pumps® SXF HT SERIES

Dwg:

DS-C34-003

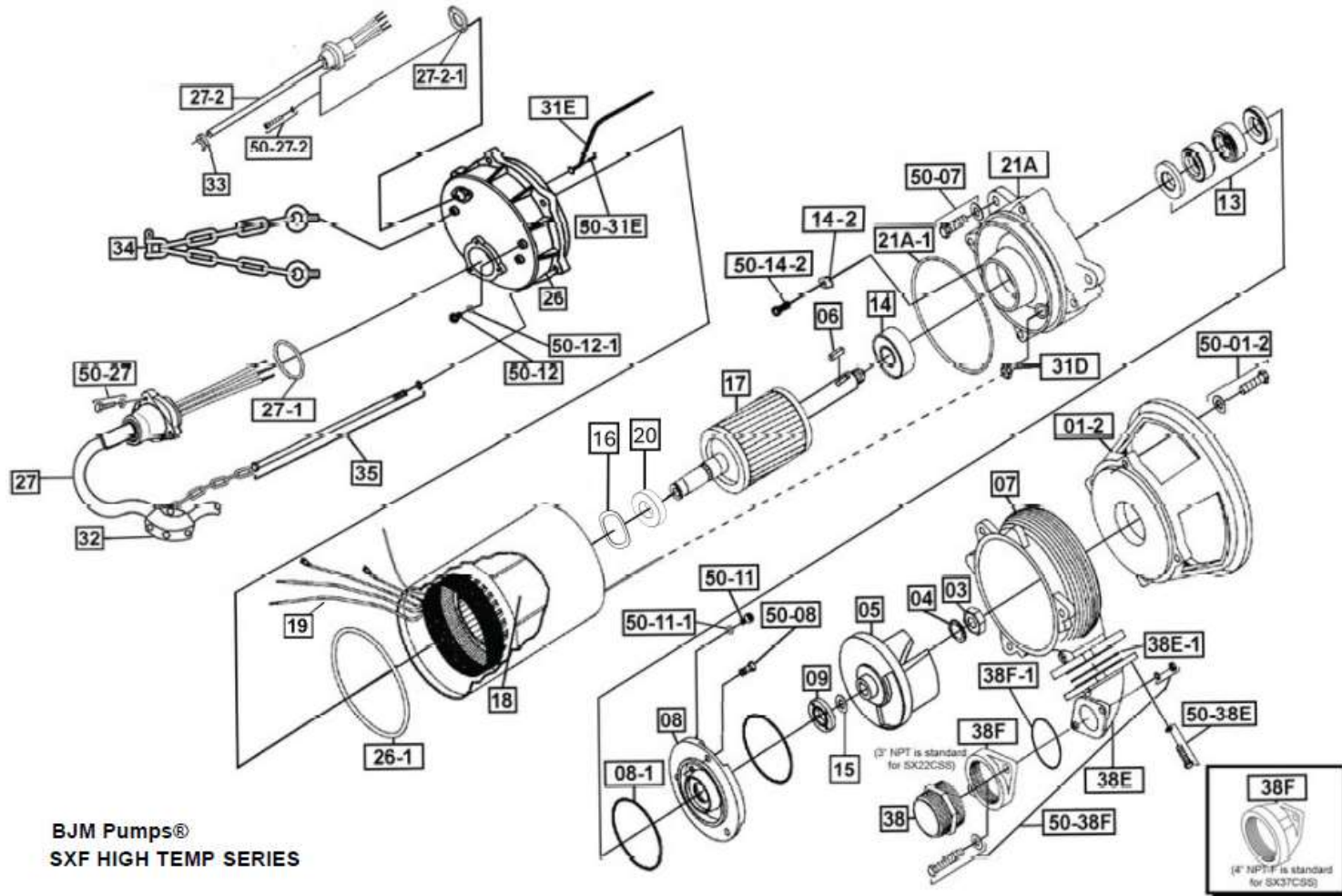
Rev:

1

Date:

9/9/2024

SX22CSSF, SX37CSSF
HIGH TEMPERATURE



©2024 Industrial Flow Solutions Operating, LLC. All rights reserved.

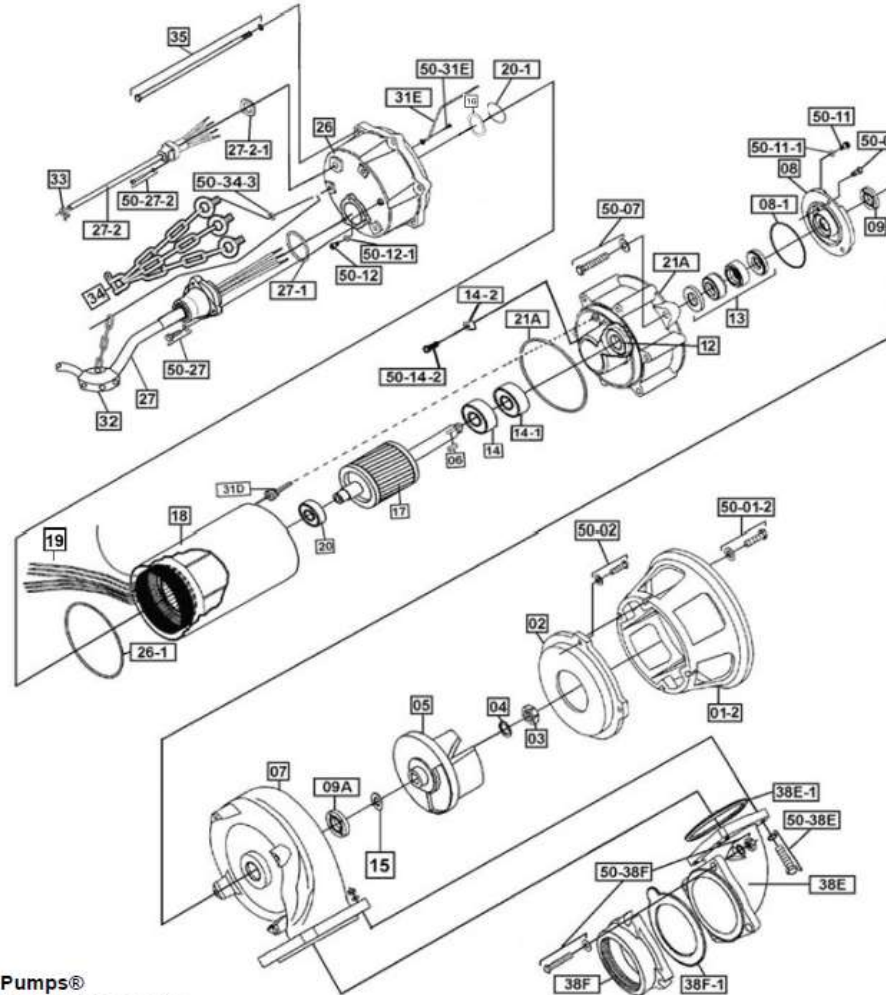
Industrial Flow Solutions Operating, LLC • 104 John W Murphy Drive, New Haven, CT 06513, USA

(860) 631-3618 • www.flowsolutions.com



SX55CSSF, SX75CSSF

HIGH TEMPERATURE



BJM Pumps®
SXF HIGH TEMP SERIES

CAT ID# XVIEW SX55CSSF- SX75CSSF

©2024 Industrial Flow Solutions Operating, LLC. All rights reserved.

Industrial Flow Solutions Operating, LLC • 104 John W Murphy Drive, New Haven, CT 06513, USA

(860) 631-3618 • www.flowsolutions.com



**INDUSTRIAL
FLOW
SOLUTIONS™**

PARTS LIST/EXPLODED VIEW

BJM Pumps® SXF HT SERIES

Dwg:

DS-C34-003

Rev:

1

Date:

9/9/2024

Pump Model

Pos.	Part Description	SKX750CSSF	SKX1500CSSF	SKX08CSSF	SKX15CSSF	SKX22CSSF	SKX37CSSF	SKX55CSSF	SKX75CSSF
01-2	Stand	201985	201987	201985	201987	201991	201993	201997	201997
02	Bottom Plate	-	-	-	-	-	-	202022	202022
03	Impeller Nut	-	-	202894	202894	202894	202894	202897	202897
04	Impeller Washer	-	-	202907	202907	202907	202907	202917	202917
05	Impeller	202095	204631	202101	204631	204632	204633	202111	202113
06	Impeller Key	-	-	202140	202140	202140	202140	202142	202142
07	Pump Housing	202176	202172	202176	202172	202177	202181	202189	202189
07-1	O-Ring (Kit Only)	Kit	Kit	Kit	Kit	Kit	Kit	-	-
08	Oil Chamber Cover	202214	202214	202214	202214	202219	202219	202217	202217
08-1	O-Ring (Kit Only)	Kit	Kit	Kit	Kit	Kit	Kit	Kit	Kit
09	Lip Seal FKM	202232	202232	202232	202232	202235	202235	202241	202241
09A	Lower Lip Seal FKM	-	-	-	-	-	-	202241	202241
13	Mechanical Seal FKM	204240	204240	204240	204240	204243	204243	200304	200304
14	Lower Ball Bearing	205999	205999	205999	205999	206016	206016	206028	206018
14-1	Lower Ball Bearing	-	-	-	-	-	-	206028	206018
14-2	Lower Bearing Retainer	202279	202279	202279	202279	202279	202279	202279	202279
15	Impeller Shim Kit (Required)	200481	200481	200480	200480	200480	200480	200479	200479
16	Spring Washer	203754	203754	203754	203754	203755	203755	203770	203770
17	Rotor w/ Shaft 115/230V, 1PH	204061	204735	-	-	-	-	-	-
17	Rotor w/ Shaft, 3PH	-	-	204021	204022	204023	204024	204025	204026
18	Stator w/ Casing 115V, 1PH (HT)	201038	-	-	-	-	-	-	-
18	Stator w/ Casing 230V, 1PH (HT)	201039	201041	-	-	-	-	-	-
18	Stator w/ Casing 208V, 3PH	-	-	200527	200531	200535	200539	200668	-
18	Stator w/ Casing 230/460V, 3PH	-	-	200549	200553	200557	200561	200565	200569
18	Stator w/ Casing 575V, 3PH	-	-	200591	200595	200599	200603	200608	200612
19	Wire Connection Kit*	204211	204211	204202	204202	204203	204203	204203	204203
20	Upper Ball Bearing	206000	206000	206000	206000	205999	205999	206016	206016

©2024 Industrial Flow Solutions Operating, LLC. All rights reserved.

Industrial Flow Solutions Operating, LLC • 104 John W Murphy Drive, New Haven, CT 06513, USA

(860) 631-3618 • www.flowsolutions.com



**INDUSTRIAL
FLOW
SOLUTIONS™**

PARTS LIST/EXPLODED VIEW

BJM Pumps® SXF HT SERIES

Dwg:

DS-C34-003

Rev:

1

Date:

9/9/2024

Pump Model

Pos.	Part Description	SKX750CSSF	SKX1500CSSF	SKX08CSSF	SKX15CSSF	SKX22CSSF	SKX37CSSF	SKX55CSSF	SKX75CSSF
20-1	O-Ring (Kit Only)	-	-	-	-	-	-	Kit	Kit
21A	Oil Chamber/Motor Housing	202197	202197	202197	202197	202198	202198	203013	203005
21A-1	O-Ring (Kit Only)	Kit	Kit	Kit	Kit	Kit	Kit	Kit	Kit
21B	Motor Cover Upper	202368	202368	-	-	-	-	-	-
26	Pump Top Cover (W/ Sensor opening)	202434	202434	202436	202436	202438	202438	202440	202440
26-1	O-Ring (Kit Only)	Kit	Kit	Kit	Kit	Kit	Kit	Kit	Kit
27	Power Cable w/ Gland- 115V,1PH (HT)	202783	-	-	-	-	-	-	-
27	Power Cable w/ Gland-230V, 1PH (HT)	202784	202783	-	-	-	-	-	-
27	Power Cable w/ Gland- 3PH (HT)	-	-	201733	201733	203777	203777	203777	203777
27-1	O-Ring (Kit Only)	Kit	Kit	Kit	Kit	Kit	Kit	Kit	Kit
27-2	Seal Minder/Temp. Sensor Cord (HT)	201743	201743	201741	201741	201741	201741	201741	201741
27-2-1	O-Ring Kit Only	Kit	Kit	Kit	Kit	Kit	Kit	Kit	Kit
31D	Seal Minder Probe	202408	202408	202408	202408	202410	202410	204000	204000
31E	Ground Wire w/Ring Term.	203145	203145	203145	203145	203145	203145	203145	203145
32	Power Cord Line Clip / Strain Relief	203166	203166	203161	203161	202499	202499	202499	202499
33	Seal Minder Cable Line Clip	203163	203163	203163	203163	203163	203163	203163	203163
34	Handle / Chain Handle	202517	202517	202517	202517	202510	202510	202516	202516
35	Rod Bolts	202682	202683	202684	202685	202686	202687	202673	202674
38	Discharge Nipple 2"	202532	-	202532	-	-	-	-	-
38	Discharge Nipple 3"	-	202535	-	-	-	-	-	-
38	Bolt - Suction Cover	-	-	-	202535	202535	202535	-	-
38E	Discharge Elbow	202571	202559	202571	202559	202559	202559	202561	202561
38E-1	O-Ring, Discharge Elbow FKM	203326	203327	203326	203327	203327	203327	-	-
38E-1	Gasket, Discharge Elbow FKM	-	-	-	-	-	-	203211	203211
38F	Discharge Flange 2"	202563	-	202563	-	-	-	202818	-
38F	Discharge Flange 3"	-	202546	-	202546	202546	202546	-	-
38F	Discharge Flange 4"	-	-	-	-	202553	202553	202540	202540

©2024 Industrial Flow Solutions Operating, LLC. All rights reserved.

Industrial Flow Solutions Operating, LLC • 104 John W Murphy Drive, New Haven, CT 06513, USA

(860) 631-3618 • www.flowsolutions.com



**INDUSTRIAL
FLOW
SOLUTIONS™**

PARTS LIST/EXPLODED VIEW

BJM Pumps® SXF HT SERIES

Dwg:	DS-C34-003	Rev:	1	Date:	9/9/2024
-------------	------------	-------------	---	--------------	----------

Pump Model

Pos.	Part Description	SKX750CSSF	SKX1500CSSF	SKX08CSSF	SKX15CSSF	SKX22CSSF	SKX37CSSF	SKX55CSSF	SKX75CSSF
38F-1	Bolt - Suction Cover	-	202724	-	-	-	-	-	-
38F-1	O-Ring, 2" Discharge Flange FKM	202723	-	202723	-	-	-	-	-
38F-1	O-Ring, 3" Discharge Flange FKM	-	-	-	202724	202724	202724	-	-
38F-1	O-Ring, 4" Discharge Flange FKM	-	-	-	-	203328	203328	-	-
38F-1	Gasket, 4" Discharge Flange FKM	-	-	-	-	-	-	203211	203211
50-01-2	Bolt for Strainer/Stand	203228	203228	203228	203228	203228	203228	203229	203229
50-02	Bolt for Suction Cover	-	-	-	-	-	-	203229	203229
50-07	Screw for Oil Chamber/Motor Housing	203296	203296	203296	203296	203296	203296	203229	203229
50-08	Screw for Oil Chamber Cover	203219	203219	203219	203219	203219	203219	203246	203246
50-11	Screw for Oil Fill	203218	203218	203218	203218	203218	203218	203218	203218
50-11-1	O-Ring (Kit Only)	Kit	Kit	Kit	Kit	Kit	Kit	Kit	Kit
50-12	Screw for Pressure Check	203218	203218	203218	203218	203218	203218	203218	203218
50-12-1	O-Ring (Kit Only)	Kit	Kit	Kit	Kit	Kit	Kit	Kit	Kit
50-14-2	Screw for Bearing Retainer	203219	203219	203219	203219	203219	203219	203219	203219
50-27	Screw for Power Cord	203295	203295	203295	203295	203246	203246	203246	203246
50-27-2	Screw for Seal Minder Cable	203295	203295	203295	203295	203295	203295	203295	203295
50-31E	Screw for Ground Wire	202692	202692	202692	202692	202692	202692	202692	202692
50-32/50-33	Screw for Line Clip	203214	203214	203214	203214	-	-	-	-
50-34	Screw for Handle	203219	203219	203219	203219	-	-	-	-
50-34-3	Lock Washer	-	-	-	-	-	-	202902	202902
50-38E	Bolt for Discharge Elbow	203294	203271	203294	203271	203271	203271	203286	203286
50-38F	Bolt for Discharge Flange	203229	203294	203229	203294	203294	203294	203287	203287
	O-Ring Kit - FKM	202630	202630	202647	202647	202642	202642	202644	202644

*"F" Series High Temperature Pumps Only

** New Rotor With Shaft Required When Upgrading From 202097 Impeller to 204631 Impeller.

©2024 Industrial Flow Solutions Operating, LLC. All rights reserved.

Industrial Flow Solutions Operating, LLC • 104 John W Murphy Drive, New Haven, CT 06513, USA
(860) 631-3618 • www.flowsolutions.com