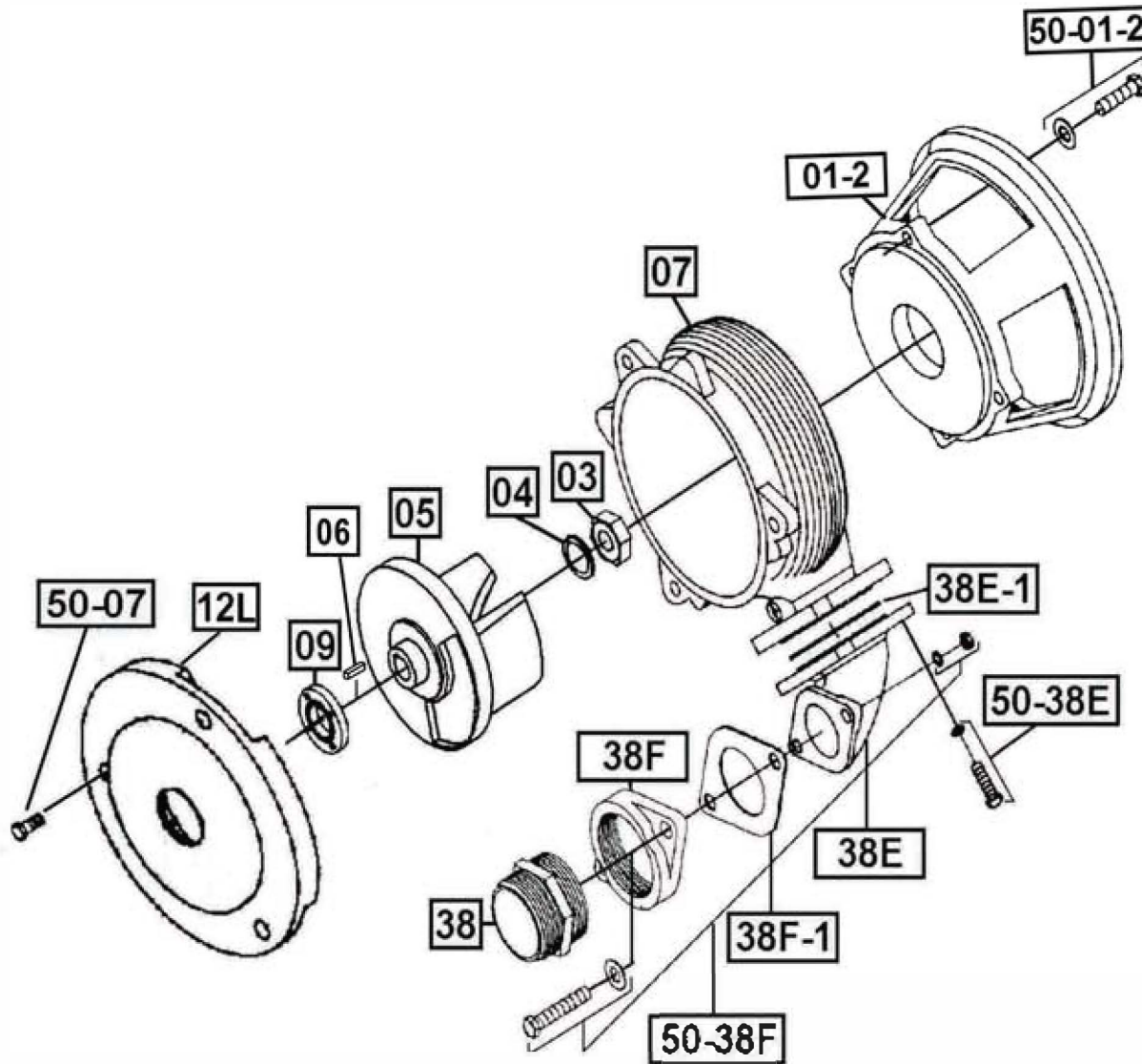


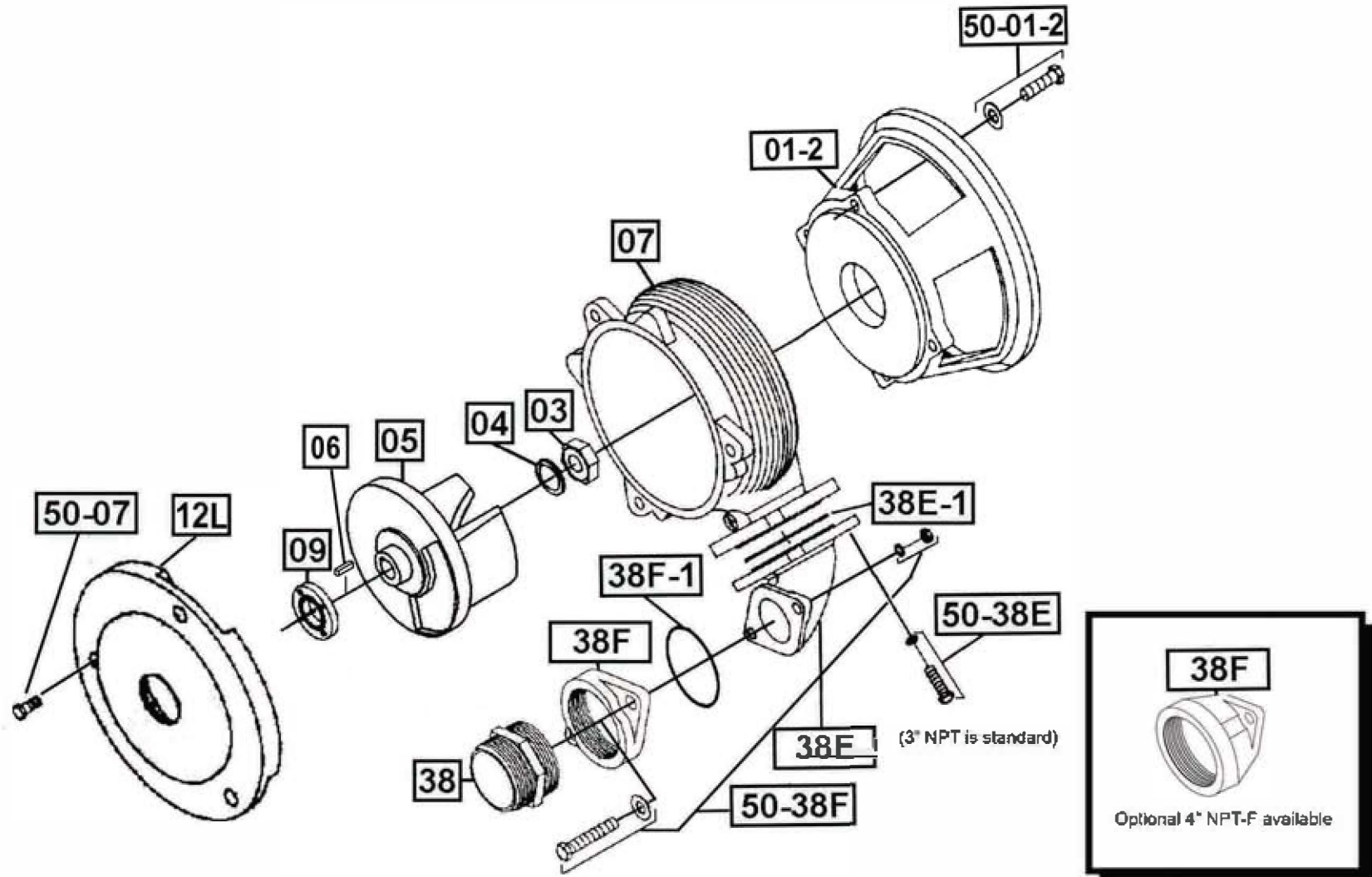
	Pump Model	XP-SKX15CSS	XP-SKX22CSS	XP-SKX37CSS	XP-SKX55CSS	XP-SKX75CSS	XP-SKX110CSS	XP-SKX150CSS
Pos. No.	Part Description	Item #	Item #	Item #	Item #	Item #	Item #	Item #
01-2	Stand Only	201995	201989	201994	201999	201999	202001	202001
02	Suction Cover	-	-	-	202881	202881	202040	202040
03	Impeller Nut	202894	202894	202894	202897	202897	202897	202897
3	Upper Ball Bearing (See EIM Manual)	200959	200959	200959	200968	200968	200968	200962
04	Impeller Washer	202907	202907	202907	202917	202917	202917	202917
05	Impeller	204628	204629	204630	204568	204570	202946	202948
06	Impeller Key	202140	202140	202140	202146	202146	202146	202987
6	Stator 208V (See EIM Manual)	200969	200971	200973	-	-	-	-
6	Stator 230V (See EIM Manual)	200969	200971	200973	200975	200977	200979	200981
6	Stator 460V (See EIM Manual)	200969	200971	200973	200975	200977	200979	200981
6	Stator 575V (See EIM Manual)	200970	200972	200974	200976	200978	200980	200982
07	Pump Housing	202172	202177	202181	202190	202190	202194	202194
7 & 8	Rotor/Shaft Assy. (See EIM Manual)	200983	200984	200985	200986	200987	200988	200989
12L	Mating Plate / Oil Chamber Cover	See the EIM Electric Co., LTD I O & M Manual						
09	Lip Seal FKM	202232	202235	202235	202241	202241	202241	202241
9	Lower Ball Bearing (See EIM Manual)	200961	200961	200961	200494	200494	200495	200496
10	Mechanical Seal - FKM (See EIM Manual)	200338	200338	200338	200339	200339	200339	200340
38	Discharge Nipple 3"	202535	202535	202535	-	-	-	-
38E	Discharge Elbow	202559	202559	202559	202573	202573	202574	202574
38E-1	Gasket, Discharge Elbow FKM	203327	203327	203327	203211	203211	202664	202664
38F	Discharge Flange 3"	202546	202546	202546	-	-	-	-
38F	Discharge Flange 4"	-	-	-	202576	202576	-	-
38F	Discharge Flange 6" ANSI Slip Weld	-	-	-	-	-	202549	202549
38F-1	Gasket, Discharge Flange FKM	202724	202724	202724	202662	202662	202664	202664
50-01-2	Bolt for Strainer/Stand	203228	203228	203228	203236	203236	203279	203279
50-02	Bolt for Suction Cover	-	-	-	203236	203236	203279	203279
50-07	Bolt for Mating Plate to Volute	203229	203229	203229	203236	203236	-	-
50-11V	Air Release Valve	-	-	-	202707	202707	202707	202707
50-38E	Bolt for Discharge Elbow	203271	203271	203271	203276	203276	203278	203278
50-38F	Bolt for Discharge Flange	203294	203294	203294	203277	203277	203278	203278
49	Bell Mouth (See EIM Manual)	Pwr Cable Assy.	Pwr Cable Assy.	Pwr Cable Assy.	Pwr Cable Assy.	Pwr Cable Assy.	Pwr Cable Assy.	Pwr Cable Assy.
49-SN	Stud & Nut - Bell Mouth (See EIM Manual)	Pwr Cable Assy.	Pwr Cable Assy.	Pwr Cable Assy.	Pwr Cable Assy.	Pwr Cable Assy.	Pwr Cable Assy.	Pwr Cable Assy.
50	Cable Bushing (See EIM Manual)	Pwr Cable Assy.	Pwr Cable Assy.	Pwr Cable Assy.	Pwr Cable Assy.	Pwr Cable Assy.	Pwr Cable Assy.	Pwr Cable Assy.
54	Cable (See EIM Manual)	Pwr Cable Assy.	Pwr Cable Assy.	Pwr Cable Assy.	Pwr Cable Assy.	Pwr Cable Assy.	Pwr Cable Assy.	Pwr Cable Assy.
55	Cable clamp (See EIM Manual)	Pwr Cable Assy.	Pwr Cable Assy.	Pwr Cable Assy.	Pwr Cable Assy.	Pwr Cable Assy.	Pwr Cable Assy.	Pwr Cable Assy.
55-B	Bolt (See EIM Manual)	Pwr Cable Assy.	Pwr Cable Assy.	Pwr Cable Assy.	Pwr Cable Assy.	Pwr Cable Assy.	Pwr Cable Assy.	Pwr Cable Assy.
	Pwr Cable Assy.208V	200998	200998	200999	200999	-	-	-
	Pwr Cable Assy.230V	200998	200998	200999	200999	201000	201000	-
	Pwr Cable Assy.460V	200998	200998	200998	200998	200998	200999	201001
	Pwr Cable Assy.575V	200998	200998	200998	200998	200998	200999	201001
49	Bell Mouth (See EIM Manual)	Pwr Cable Kit	Pwr Cable Kit	Pwr Cable Kit	Pwr Cable Kit	Pwr Cable Kit	Pwr Cable Kit	Pwr Cable Kit
49-SN	Stud & Nut (See EIM Manual)	Pwr Cable Kit	Pwr Cable Kit	Pwr Cable Kit	Pwr Cable Kit	Pwr Cable Kit	Pwr Cable Kit	Pwr Cable Kit
50	Cable Bushing (See EIM Manual)	Pwr Cable Kit	Pwr Cable Kit	Pwr Cable Kit	Pwr Cable Kit	Pwr Cable Kit	Pwr Cable Kit	Pwr Cable Kit
55-B	Bolt (See EIM Manual)	Pwr Cable Kit	Pwr Cable Kit	Pwr Cable Kit	Pwr Cable Kit	Pwr Cable Kit	Pwr Cable Kit	Pwr Cable Kit
55	Cable clamp (See EIM Manual)	Pwr Cable Kit	Pwr Cable Kit	Pwr Cable Kit	Pwr Cable Kit	Pwr Cable Kit	Pwr Cable Kit	Pwr Cable Kit
	Pwr Cable Kit 208V	200233	200233	200291	200291	-	-	-
	Pwr Cable Kit 230V	200233	200233	200291	200291	200328	200328	-
	Pwr Cable Kit 460V	200233	200233	200233	200233	200233	200291	200330
	Pwr Cable Kit 575V	200233	200233	200233	200233	200233	200291	200330
2-R	O-Ring (See EIM Manual)	O-Ring Kit	O-Ring Kit	O-Ring Kit	O-Ring Kit	O-Ring Kit	O-Ring Kit	O-Ring Kit
5-R1	O-Ring (See EIM Manual)	O-Ring Kit	O-Ring Kit	O-Ring Kit	O-Ring Kit	O-Ring Kit	O-Ring Kit	O-Ring Kit
5-R2	O-Ring (See EIM Manual)	O-Ring Kit	O-Ring Kit	O-Ring Kit	O-Ring Kit	O-Ring Kit	O-Ring Kit	O-Ring Kit
12U-R	O-Ring (See EIM Manual)	O-Ring Kit	O-Ring Kit	O-Ring Kit	O-Ring Kit	O-Ring Kit	O-Ring Kit	O-Ring Kit
28-P	O-Ring (See EIM Manual)	O-Ring Kit	O-Ring Kit	O-Ring Kit	O-Ring Kit	O-Ring Kit	O-Ring Kit	O-Ring Kit
	O-Ring Kit-FKM	200341	200341	200341	200342	200342	204168	200343

\*\*All 1HP and up BJM Pumps® mechanical seal elastomer material is FKM.

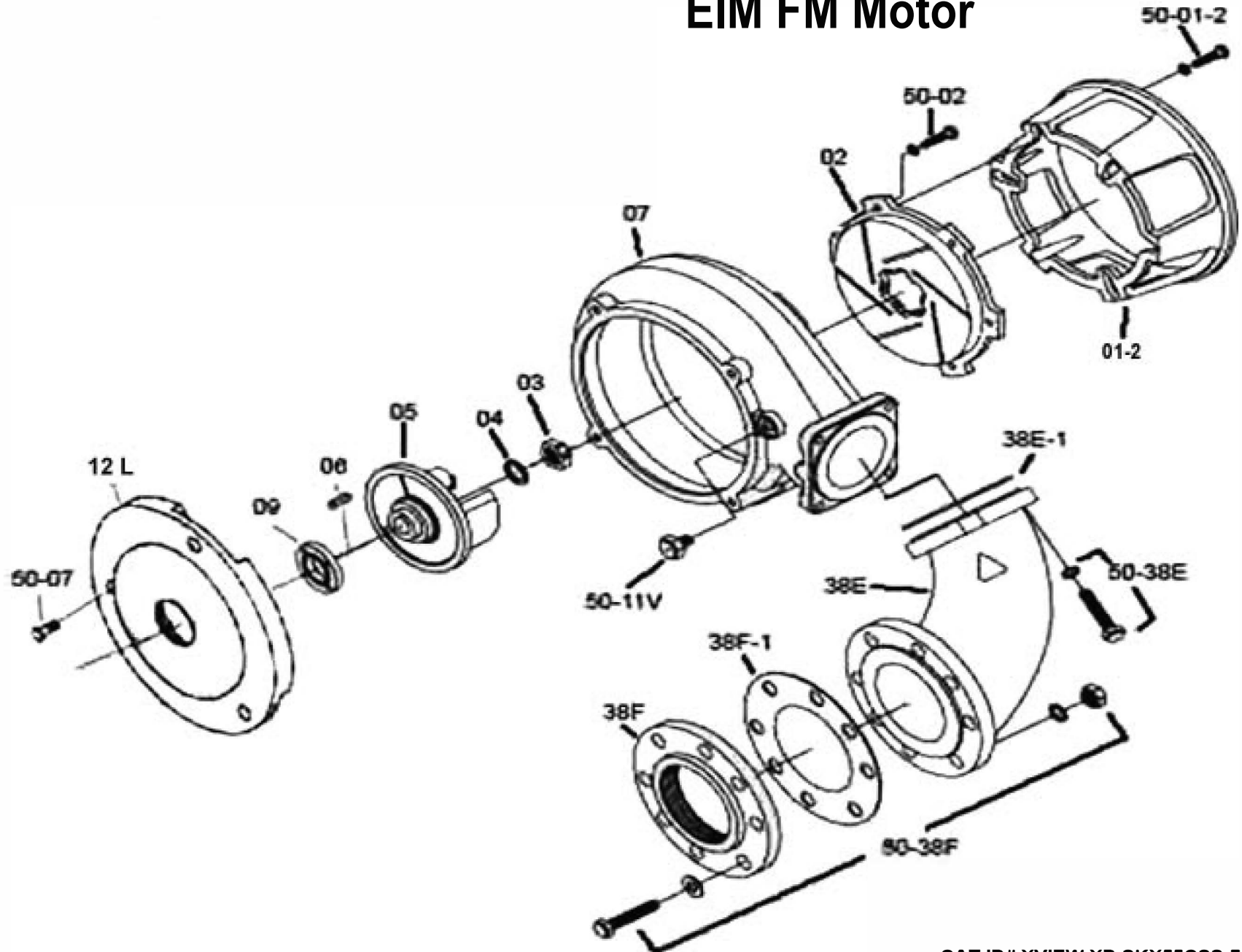
# XP-SKX15CSS (2HP) BJM SS Wet end assembly for EIM FM Motor



LD!G? L &&7 GG/ 'LD!G? L' +7 GG'  
 fl / ) <DL6>A 'GG'K Yh'9 bX'  
 5 ggYa V`mizcf'9=A : A`A chcf



# XP-SKX55CSS & XPSKX75CSS (7.5 & 10HP) BJM Wet End Assembly for EIM FM Motor



# XP-SKX110CSS & XP-SKX150CSS (15 & 20HP) BJM Wet End Assembly for EIM FM Motor

