

## XP-SK-SERIES

	Pump Model	XP-SK15C	XP-SK22C	XP-SK37C	XP-SK55C	XP-SK75C	XP-SK110C	XP-SK150C
Pos. No.	Part Description	Item #	Item #	Item #	Item #	Item #	Item #	Item #
01-2	Stand Only	202858	202850	202855	201998	201998	202000	202000
02	Suction Cover, Cast Iron	-	-	-	202880	202880	202882	202882
02	Suction Cover, Hi-Chrome	202046	202047	202048	-	-	-	-
03	Impeller Nut	202894	202894	202894	202897	202897	202897	202897
3	<b>Upper Ball Bearing (See EIM Manual)</b>	<b>200959</b>	<b>200959</b>	<b>200959</b>	<b>200968</b>	<b>200968</b>	<b>200968</b>	<b>200962</b>
04	Impeller Washer	202907	202907	202907	204569	204571	202917	202917
05	Impeller, Heat Treated DI	204565	204566	204567	202136	202138	202945	202947
06	Impeller Key	202140	202140	202140	202146	202146	202146	202987
6	<b>Stator 208V (See EIM Manual)</b>	<b>200969</b>	<b>200971</b>	<b>200973</b>	-	-	-	-
6	<b>Stator 230V (See EIM Manual)</b>	<b>200969</b>	<b>200971</b>	<b>200973</b>	<b>200975</b>	<b>200977</b>	<b>200979</b>	<b>200981</b>
6	<b>Stator 460V (See EIM Manual)</b>	<b>200969</b>	<b>200971</b>	<b>200973</b>	<b>200975</b>	<b>200977</b>	<b>200979</b>	<b>200981</b>
6	<b>Stator 575V (See EIM Manual)</b>	<b>200970</b>	<b>200972</b>	<b>200974</b>	<b>200976</b>	<b>200978</b>	<b>200980</b>	<b>200982</b>
07	Pump Housing	203008	203011	203014	203024	203024	203027	203027
7 & 8	<b>Rotor/Shaft Assy. (See EIM Manual)</b>	<b>200983</b>	<b>200984</b>	<b>200985</b>	<b>200986</b>	<b>200987</b>	<b>200988</b>	<b>200989</b>
12L	<b>Mating Plate / Oil Chamber Cover</b>	<b>See the EIM Electric Co., LTD I O &amp; M Manual</b>						
09	Lip Seal Buna-N	203051	202234	202234	202238	202238	202238	202238
09	Lip Seal FKM (Optional)	202232	202235	202235	202241	202241	202241	202241
9	<b>Lower Ball Bearing (See EIM Manual)</b>	<b>200961</b>	<b>200961</b>	<b>200961</b>	<b>200494</b>	<b>200494</b>	<b>200495</b>	<b>200496</b>
10	<b>Mechanical Seal - Buna (See EIM Manual)</b>	<b>200332</b>	<b>200332</b>	<b>200332</b>	<b>200333</b>	<b>200333</b>	<b>200333</b>	<b>200334</b>
10	<b>Mechanical Seal - FKM** (See EIM Manual)</b>	<b>200338</b>	<b>200338</b>	<b>200338</b>	<b>200339</b>	<b>200339</b>	<b>200339</b>	<b>200340</b>
38	Discharge Nipple 3"	202534	202534	202534	-	-	-	-
38E	Discharge Elbow	202558	202558	202558	3/833	202572	203187	3734C
38E-1	Gasket, Discharge Elbow Buna-N	203208	203208	203208	203210	203210	202663	202663
38E-1	Gasket, Discharge Elbow FKM(Optional)	203209	203209	203209	203211	203211	202664	202664
38F	Discharge Flange 3"	202545	202545	202545	-	-	-	-
38F	Discharge Flange 4"	-	202552	202552	202575	202575	-	-
38F	Discharge Flange 6" ANSI Slip Weld	-	-	-	-	-	202548	202548
38F-1	Gasket, Discharge Flange Buna-N	202659	202659	202659	202661	202661	202663	202663
38F-1	Gasket, Discharge Flange FKM (Optional)	202660	202660	202660	202662	202662	202664	202664

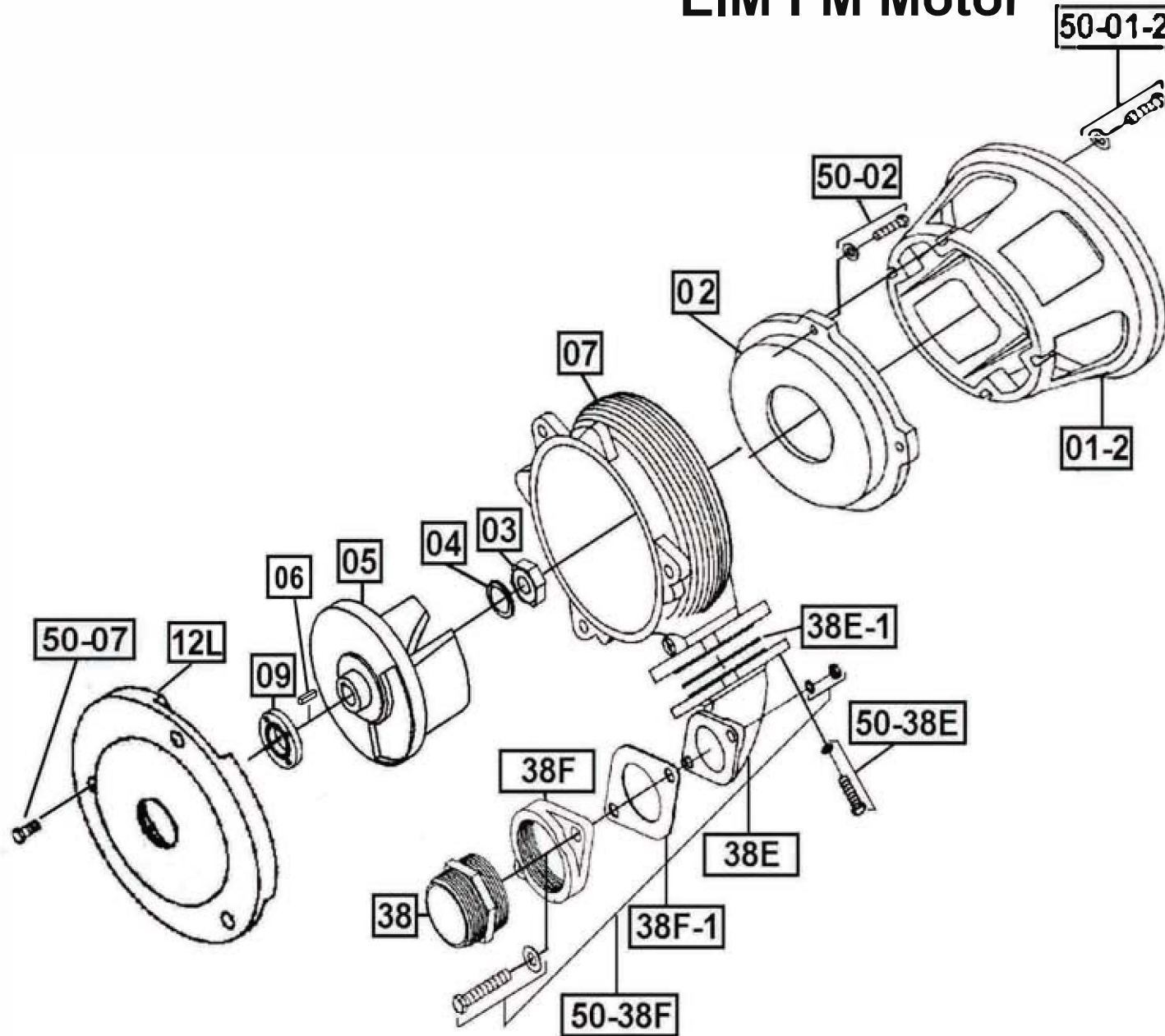
\*\*All 1 HP and up BJM Pumps® mechanical seal elastomer material is FKM

## XP-SK-SERIES

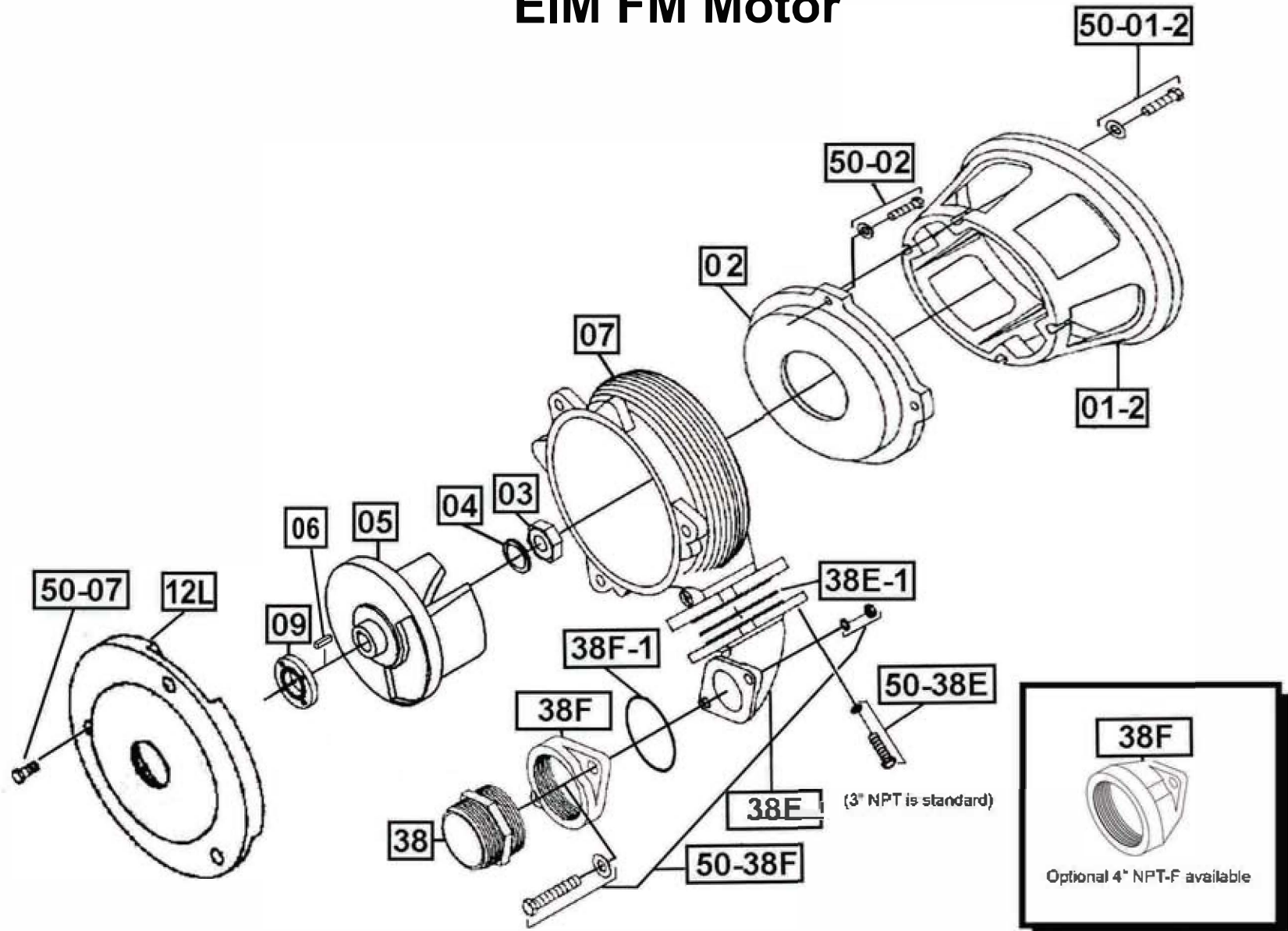
	Pump Model	XP-SK15C	XP-SK22C	XP-SK37C	XP-SK55C	XP-SK75C	XP-SK110C	XP-SK150C
Pos. No.	Part Description	Item #	Item #	Item #	Item #	Item #	Item #	Item #
50-01-2	Bolt for Strainer/Stand	203228	203228	203228	203236	203236	203279	203279
50-02	Bolt for Suction Cover	203228	203228	203228	203236	203236	203279	203279
50-07	Bolt for Mating Plate to Volute	203229	203229	203229	203236	203236	-	-
50-11V	Air Release Valve	-	-	-	202707	202707	202707	202707
50-38E	Bolt for Discharge Elbow	203255	203255	203255	203276	203276	203278	203278
50-38F	Bolt for Discharge Flange	203289	203289	203253	203277	203277	203278	203278
49	Bell Mouth (See EIM Manual)	Pwr Cable Assy.	Pwr Cable Assy.	Pwr Cable Assy.	Pwr Cable Assy.	Pwr Cable Assy.	Pwr Cable Assy.	Pwr Cable Assy.
49-SN	Stud & Nut (See EIM Manual)	Pwr Cable Assy.	Pwr Cable Assy.	Pwr Cable Assy.	Pwr Cable Assy.	Pwr Cable Assy.	Pwr Cable Assy.	Pwr Cable Assy.
50	Cable Bushing (See EIM Manual)	Pwr Cable Assy.	Pwr Cable Assy.	Pwr Cable Assy.	Pwr Cable Assy.	Pwr Cable Assy.	Pwr Cable Assy.	Pwr Cable Assy.
54	Cable (See EIM Manual)	Pwr Cable Assy.	Pwr Cable Assy.	Pwr Cable Assy.	Pwr Cable Assy.	Pwr Cable Assy.	Pwr Cable Assy.	Pwr Cable Assy.
55	Cable clamp (See EIM Manual)	Pwr Cable Assy.	Pwr Cable Assy.	Pwr Cable Assy.	Pwr Cable Assy.	Pwr Cable Assy.	Pwr Cable Assy.	Pwr Cable Assy.
55-B	Bolt (See EIM Manual)	Pwr Cable Assy.	Pwr Cable Assy.	Pwr Cable Assy.	Pwr Cable Assy.	Pwr Cable Assy.	Pwr Cable Assy.	Pwr Cable Assy.
Pwr Cable Assy.208V		200998	200998	200999	200999		-	-
Pwr Cable Assy.230V		200998	200998	200999	200999	201000	201000	-
Pwr Cable Assy.460V		200998	200998	200998	200998	200998	200999	201001
Pwr Cable Assy.575V		200998	200998	200998	200998	200998	200999	201001
49	Bell Mouth (See EIM Manual)	Pwr Cable Kit	Pwr Cable Kit	Pwr Cable Kit	Pwr Cable Kit	Pwr Cable Kit	Pwr Cable Kit	Pwr Cable Kit
49-SN	Stud & Nut (See EIM Manual)	Pwr Cable Kit	Pwr Cable Kit	Pwr Cable Kit	Pwr Cable Kit	Pwr Cable Kit	Pwr Cable Kit	Pwr Cable Kit
50	Cable Bushing (See EIM Manual)	Pwr Cable Kit	Pwr Cable Kit	Pwr Cable Kit	Pwr Cable Kit	Pwr Cable Kit	Pwr Cable Kit	Pwr Cable Kit
55-B	Bolt (See EIM Manual)	Pwr Cable Kit	Pwr Cable Kit	Pwr Cable Kit	Pwr Cable Kit	Pwr Cable Kit	Pwr Cable Kit	Pwr Cable Kit
55	Cable clamp (See EIM Manual)	Pwr Cable Kit	Pwr Cable Kit	Pwr Cable Kit	Pwr Cable Kit	Pwr Cable Kit	Pwr Cable Kit	Pwr Cable Kit
Pwr Cable Kit 208V		200233	200233	200291	200291	-	-	-
Pwr Cable Kit 230V		200233	200233	200291	200291	200328	200328	-
Pwr Cable Kit 460V		200233	200233	200233	200233	200233	200291	200330
Pwr Cable Kit 575V		200233	200233	200233	200233	200233	200291	200330
2-R	O-Ring (See EIM Manual)	O-Ring Kit	O-Ring Kit	O-Ring Kit	O-Ring Kit	O-Ring Kit	O-Ring Kit	O-Ring Kit
5-R1	O-Ring (See EIM Manual)	O-Ring Kit	O-Ring Kit	O-Ring Kit	O-Ring Kit	O-Ring Kit	O-Ring Kit	O-Ring Kit
5-R2	O-Ring (See EIM Manual)	O-Ring Kit	O-Ring Kit	O-Ring Kit	O-Ring Kit	O-Ring Kit	O-Ring Kit	O-Ring Kit
12U-R	O-Ring (See EIM Manual)	O-Ring Kit	O-Ring Kit	O-Ring Kit	O-Ring Kit	O-Ring Kit	O-Ring Kit	O-Ring Kit
28-P	O-Ring (See EIM Manual)	O-Ring Kit	O-Ring Kit	O-Ring Kit	O-Ring Kit	O-Ring Kit	O-Ring Kit	O-Ring Kit
O-Ring Kit-Buna N		200335	200335	200335	200336	200336	204167	200337
O-Ring Kit-FKM (Optional)		200341	200341	200341	200342	200342	204168	200343

\*\*All 1 HP and up BJM Pumps® mechanical seal elastomer material is FKM

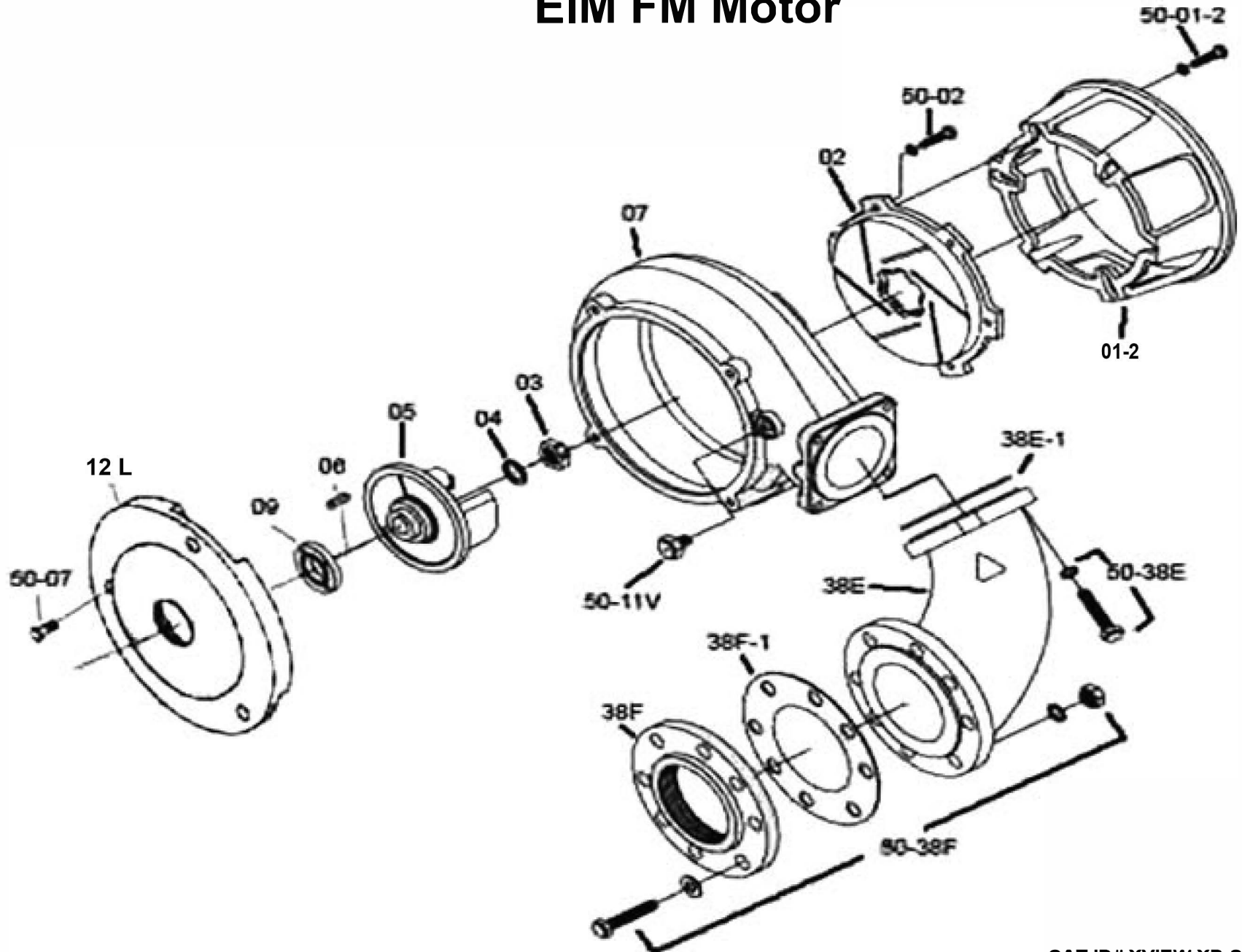
# XP-SK15 (2HP) BJM Wet end assembly for EIM FM Motor



# XP-SK22C & XP-SK37C (3 & 5HP) BJM Wet end assembly for EIM FM Motor



# XP-SK55C & XP-SK75C (7.5 & 10HP) BJM Wet end assembly for EIM FM Motor



# XP-SK110C & XP-SK150C(15 & 20 HP) BJM Wet end assembly for EIM FM Motor

