

LIST OF PARTS**Mine Dewatering Pumps P20CE**

Drawing Number: DS-A16-075

Rev: 2

Date: 3/21/2018

Position	Stancor Part #	Description	Qty.
2	31362	TOP COVER	1
3	31366	MOTOR HOUSING	1
4	31365	BEARING HOUSING	1
5	30239-2	STATOR, 230 VOLT 1 PHASE	1
5	30165-1	STATOR, 230/460 VOLT 3 PHASE	1
5	30961-1	STATOR, 575 VOLT 3 PHASE	1
6	31361-1	SHAFT ASSEMBLY	1
7	30158	PLASTIC LINING	1
9	30155-2	OIL HOUSING COVER	1
10	30159	VOLUTE	1
11	30157-K	3 PHASE IMPELLER	1
11	30247-2	1 PHASE IMPELLER	1
12	30497	SS STRAINER	1
13	30169	BASE PLATE	1
14	30275	2" THREADED CONNECTION	1
15	30185	GASKET	1
16	31369	CABLE ENTRY	1
17	14/5	CABLE	50 ft.
18	31358	BUSHING	1
19	31359	WASHER	2
28	30219	CARRYING HANDLE	1
33	50703-2	CONTACTOR 230 VOLT 1 & 3 PHASE	1
33	50702-2	CONTACTOR 460 VOLT 3 PHASE	1
33	30280-2	CONTACTOR 575 VOLT 3 PHASE	1
41	40128	UPPER BALL BEARING	1
42	40129	LOWER BALL BEARING	1
43	40239	LIP SEAL	1
44	30056-1	LOWER SEAL UNIT	1
44	30056-1VIT	MECHANICAL VITON SEAL (OPTIONAL)	1
48	40230	CIRCLIP	1
49	40667	CIRCLIP	2
50	50766	KEY	1
55	30078	RUBBER BUSHING	1
62	40171	O-RING	1
64	320-018-1-BN1	O-RING	3
66	40178	O-RING	2
66	40178V	VITON O-RING (OPTIONAL)	2
67	40114	DUBO RING	3
68	40115-1	DUBO RING	5
69	40117	DUBO RING	1
71	30067	WASHER	1

LIST OF PARTS**Mine Dewatering Pumps P20CE**

Drawing Number: DS-A16-075

Rev: 2

Date: 3/21/2018

Position	Stancor Part #	Description	Qty.
73	40107	WASHER	8
74	30197	STUD	3
75	40185	STUD	2
76	40208	SCREW	4
77	40216	SCREW	1
79	40209	SCREW	3
81	40150	LOCK NUT	1
83	40222	SCREW	3
84	40221	SCREW	3
85	31418	SCREW	3
86	40148	NUT	5
86A	40148-1	JAM NUT	3
86B	755-84	LOCKNUT	5
87	40202	SCREW	2
88	41199	RIVET	8
91	30813	DATA PLATE	1
91A	CE-112	DATA PLATE	1
103	30496	CABLE CLAMP	1
104	40485	SCREW	2
105	40103	4MM TOOTHED WASHER	4

LIST OF PARTS**Mine Dewatering Pumps P30CE HH &HV**

Drawing Number: DS-A16-076

Rev: 2

Date: 1/28/2019

Position	Stancor Part #	Description	Qty.
2	30005	CARRYING HANDLE	1
3	31217-1	MOTOR HOUSING	1
3	31217-1/NAB	MOTOR HOUSING NICKEL ALUMINUM BRONZE	1
4	31218	TOP COVER	1
4	31218-1	TOP COVER LARGE DISCHARGE (4" ONLY)	1
4	31218/NAB	NICKEL ALUMINUM BRONZE TOP COVER	1
5	30274	3" DISCHARGE CONNECTION, NPT, ANGLED	1
5	30350	4" DISCHARGE CONNECTION, NPT, ANGLED	1
6	CE-101	CABLE ENTRY	1
7	CE-103	CABLE CLAMP	1
10	31219	BEARING HOUSING	1
11	30015	BEARING RETAINER	1
13	30016	BASE PLATE	1
14	30354	STRAINER	1
15	30099 HH	3 PHASE HH IMPELLER	1
15	30099 HV	3 PHASE HV IMPELLER	1
15	30099 HH/1	SINGLE PHASE HH IMPELLER	1
15	30270	SINGLE PHASE HV IMPELLER	1
15	121-023-1-HC1	HH IMPELLER	1
15	121-024-1-HC1	HV IMPELLER	1
16	30019-3	OIL HOUSING COVER	1
16	30019-6	OIL HOUSING COVER HH ONLY	1
16	213-009-1-HC1	LOWER SEAL HOUSING HH ONLY	1
16	213-008-1-HC1	LOWER SEAL HOUSING HV ONLY	1
17	30273-1	SHAFT ASSEMBLY	1
18	30284-2	1 PHASE 230V STATOR	1
18	30284-1	3 PHASE 230/460V STATOR	1
18	30284-1/208	208 VOLT 3 PHASE STATOR	1
18	30285-1	3 PHASE 575V STATOR	1
19	30376	HV VOLUTE	1
19	30376-1	HH VOLUTE	1
19	30376/POLY	HV VOLUTE WITH POLYURETHANE	1
19	30376-1/POLY	HH VOLUTE WITH POLYURETHANE	1
19	30376/VITON	HV VOLUTE WITH VITON	1
19	30376-1/VITON	HH VOLUTE WITH VITON	1
20	30025	HOUSING LINER	1
20	30025/185	HOUSING LINER P30 HH	1
21	40238-005	IMPELLER WASHER .005" THICKNESS	AS REQ'D
21	40238-010	IMPELLER WASHER .010" THICKNESS	AS REQ'D
21	40238-060	HH IMPELLER WASHER SEAL SUPPORT .060" THICKNESS	1
24	30463-1	CABLE SEALING GLAND	1
24	30463-1V	VITON CABLE SEALING GLAND (OPTIONAL)	1
29	40181	O-RING	1
29	40181V	O-RING (VITON - OPTIONAL)	1
30	40177	O-RING	5
30	40177V	O-RING (VITON - OPTIONAL)	5

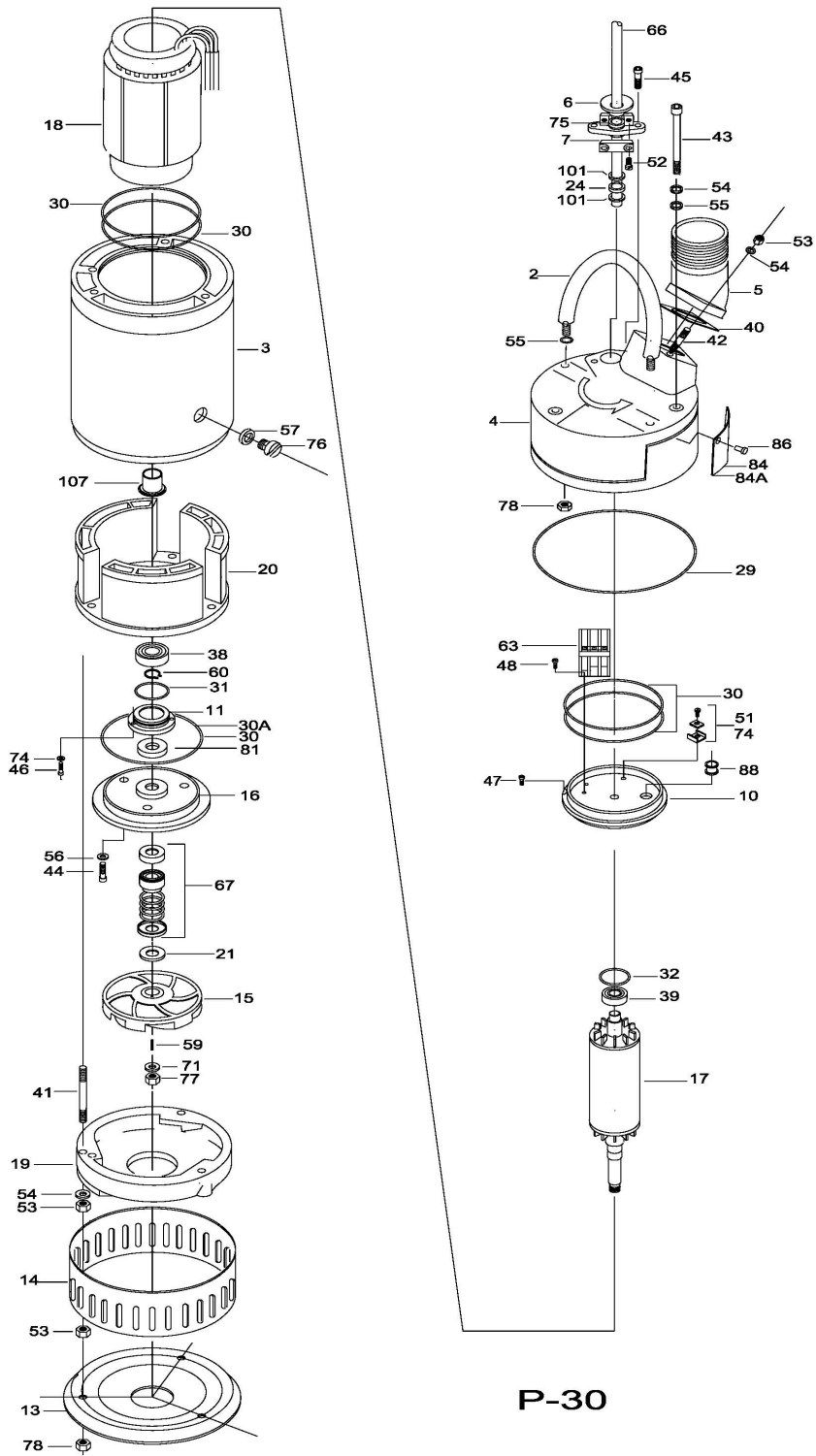
LIST OF PARTS		Mine Dewatering Pumps P30CE HH &HV	
Drawing Number:	DS-A16-076	Rev:	2
		Date:	1/28/2019

Position	Stancor Part #	Description	Qty.
30A	40176	O-RING	1
31	15921	O-RING	1
32	40171	O-RING	1
38	40129	BEARING LOWER	1
39	40128	BEARING UPPER	1
40	30048	GASKET	1
41	40189	STUDS	3
42	40187	STUDS	2
43	40225	SCREWS	3
44	40221	ALLEN HEAD SS BOLT	3
45	CE-111	SCREWS	2
46	40485	SCREWS	3
48	41270	SCREWS	2
51	40202	GROUND SCREWS	3
52	CE-104	SCREWS	2
53	40149	NUTS	8
54	40108	WASHERS	8
55	40116-1	RUBBERIZED WASHERS	5
56	40115	DUBO RINGS	3
57	40117	DUBO RINGS	1
59	50767	IMPELLER KEY	1
60	40667	CIRCLIP	1
63	55005/230	CONTACTOR, 230 VOLT SINGLE PHASE	1
63	55001/230	CONTACTOR, 230 VOLT 3 PHASE	1
63	55001/460	CONTACTOR, 460 VOLT	1
63	55001/575	CONTACTOR, 575 VOLT	1
66	12/4 CABLE	12/4 CABLE	50 ft
**67	30056-1	MECHANICAL SEAL	1
67	30056-1 VIT	MECHANICAL VITON SEAL (OPTIONAL)	1
71	41181	WASHER	1
74	40106	WASHERS	6
75	30463-2	INSULATOR	1
76	40216	OIL PLUG	1
77	41260	IMPELLER LOCK NUT	1
78	40150	LOCK NUTS	5
81	40239	LIP SEAL	1
84	30813	DATA PLATE	1
86	41199	RIVET	4
88	30078	RUBBER BUSHING	1
101	30465-1	WASHER	2
101	30465-1-S	SS WASHER (OPITONAL)	2

Exploded View

Mine Dewatering Pumps P30CE HH &HV

Dwg: DS-A16-010 Rev: 1 Date: 09/15



P-30

LIST OF PARTS**Mine Dewatering Pumps P40CE HH &HV**

Drawing Number: DS-A16-077

Rev: 3

Date: 7/20/2020

Position	Stancor Part #	Description	Qty.
1	30724-1	LOCK WASHER,(12/5SOOW)	2
1	41372	LOCK WASHER,(8/3G-GC)	2
2	225-001-1-SS1	CARRYING HANDLE	1
3	31217-1	MOTOR HOUSING	1
4	223-012-1-AL1	TOP COVER	1
4	223-008-1-AL1	TOP COVER (8/3G-GC)	1
5	30274	3" DISCHARGE,ANGLED,SS	1
5	30274-1	3" DISCHARGE,STRAIGHT,SS	1
5	30350	4" DISCHARGE HV	1
6	CE-102-S	CABLE ENTRY	1
6	620-008-1-SS1	CABLE ENTRY (8/3G-GC)	1
7	CE-103	CABLE CLAMP (12/5SOOW)	1
7	30779	CABLE CLAMP (8/3GGC)	1
10	31220	BEARING HOUSING	1
11	30015	BEARING RETAINER	1
14	150-008-1-SS1	STRAINER HH	1
14	150-009-1-SS1	STRAINER HV	1
15	121-022-1-SS2	IMPELLER HH, SS	1
15	121-021-1-SS2	IMPELLER HV, SS	1
15	121-022-1-HC1	IMPELLER HH, HC	1
15	121-021-1-HC1	IMPELLER HV, HC	1
16	213-008-1-SS2	LOWER SEAL HOUSING, SS (REPLACES 30019-3)	1
16	213-008-1-HC1	LOWER SEAL HOUSING, HC	1
17	30342-1	SHAFT ASSEMBLY	1
18	30483-1	STATOR 3 PHASE 230/460 VOLT	1
18	30959-1	STATOR 3 PHASE 575 VOLT	1
19	30376	VOLUTE HH, NP	1
19	30376/Poly	VOLUTE HH, POLYURETHANE	1
19	30375	VOLUTE HV, NP	1
19	30375-PU	VOLUTE HV, POLYURETHANE	1
20	30025	PLASTIC DIFFUSER	1
21	40238	IMPELLER SHIM (Optional)	1
21	40238-005	IMPELLER WASHER .005" THICKNESS (Optional)	1
21	40238-010	IMPELLER WASHER .010" THICKNESS (Optional)	1
24	CE-109	GROMMET,CABLE,12/5	1
24	31457-1	GROMMET,CABLE,(8/3G-GC)	1
29	320-017-1-BN1	O-RING	2
30	40177	O-RING	5
30	40177V	VITON O-RING (OPTIONAL)	5
30A	40176	O-RING	1
31	15921	O-RING	1

LIST OF PARTS**Mine Dewatering Pumps P40CE HH &HV**

Drawing Number: DS-A16-077

Rev: 3

Date: 7/20/2020

Position	Stancor Part #	Description	Qty.
32	40171	O-RING	1
38	40129	LOWER BEARING	1
39	40128	UPPER BEARING	1
40	30048	DISCHARGE GASKET (REPLACES 760-08)	1
41	413-008-1-SS1	STUDS - HH	3
41	413-009-1-SS1	STUDS - HV,3 PHASE ONLY	3
42	40187	STUDS	2
43	40227	SCREWS	3
44	40221	SCREWS	3
45	40221	SCREWS	2
46	40485	SCREWS	3
48	41270	SCREWS	2
51	40202	SCREWS	2
52	CE-104	SCREWS	2
53	40149	NUT	8
54	40108	WASHER	8
55	40116-1	RUBBERIZED WASHER	5
56	40115	DUBO RINGS	3
57	40117	DUBO RINGS	1
59	50767	IMPELLER KEY	1
60	40667	CIRCLIP	1
63	55001/230	CONTACTOR 230 VOLT 3 PHASE	1
63	55001/460	CONTACTOR 460 VOLT 3 PHASE	1
63	55001/575	CONTACTOR 575 VOLT 3 PHASE	1
64	30400	TERMINAL BLOCK	1
66	12/5 RC	CABLE, 12/5 SOOW	50 ft.
66	8/3 GGC	CABLE, 8/3 G-GC, (OPTIONAL)	50 ft.
67	30056-1	LOWER SEAL UNIT	1
67	30056-1VIT	MECHANICAL VITON SEAL (OPTIONAL)	1
71	41181	WASHER	1
76	40216	SCREW	1
77	41260	LOCKNUT	1
78	40150	LOCKNUT	5
81	40239	UPPER SEAL RING	1
84	30813	DATA PLATE	1
84	CE-112	TAG, MSHA ONLY	1
86	41199	RIVET	4
88	30078	RUBBER BUSHING	1
90	CE-105	INSULATOR (12/5)	1
101	CE-107-S	WASHER, CABLE SUPPORT, (12/5)	2
101	31555	WASHER, CABLE SUPPORT, (8/3G-GC), NY	1
101	31556	WASHER, CABLE SUPPORT, (8/3G-GC), SS	1

	<i>LIST OF PARTS</i>		Mine Dewatering Pumps P40CE HH &HV	
	Drawing Number:	DS-A16-077	Rev:	3
		Date:	7/20/2020	

Position	Stancor Part #	Description	Qty.
107	31221	SHAFT SHIELD	1

LIST OF PARTS**Mine Dewatering Pumps SX1000 HH & HV****Drawing Number:**

DS-A16-078

Rev:

3

Date:

10/24/2019

Position	Stancor Part #	Description	Qty.
2	30005-1	CARRYING HANDLE	1
3	31217-3	MOTOR HOUSING	1
4	223-012-1-AL1	TOP COVER - (3" & 4" DISCHARGE)	1
5	30350	4" DISCHARGE CONNECTION	1
5	30274	3" DISCHARGE CONNECTION	1
6	CE-101-S	STAINLESS STEEL CABLE ENTRY	1
7	CE-103	CABLE CLAMP	1
10	31220	UPPER BEARING HOUSING	1
11	30015-1	BEARING RETAINER / SEAL HOUSING	1
14	50351-3	STRAINER	1
15	31656-3 HH	IMPELLER - HH	1
15	31656-3 HV	IMPELLER - HV	1
15	121-020-1-HC1	IMPELLER-HH	1
15	121-019-1-HC1	IMPELLER-HV	1
16	30019-7	LOWER SEAL HOUSING,SS	1
16	213-016-1-HC1	LOWER SEAL HOUSING,HC	1
17	31602-2	ROTOR SHAFT ASSEMBLY	1
18	31606-1/208	STATOR/3 PHASE/208 VOLT	1
18	31605-2	STATOR/3 PHASE/230 VOLT	1
18	31605-1	STATOR/3 PHASE/460 VOLT	1
18	31606-1/575	STATOR/3 PHASE/575 VOLT	1
19	31612-1 HH	VOLUTE - HH	1
19	31612-1 HV	VOLUTE - HV	1
19	31612-1 HH/POLY	VOLUTE-HH	1
19	31612-1 HV/POLY	VOLUTE-HV	1
20	30025/185	HOUSING LINER	1
24	CE-110	GLAND	1
29	40181	O-RING	2
29	40181V	VITON O-RING (OPTIONAL)	2
30	40177	O-RING	5
30	40177V	VITON O-RING (OPTIONAL)	5
30A	40176	O-RING (SIDE OF OIL HOUSING COVER)	1
31	15921	O-RING (LOWER BEARING RETAINER)	1
32	40171	O-RING	1
38	40132	LOWER BEARING	1
39	40131	UPPER BEARING	1
40	30048	DISCHARGE GASKET	1
41	31704-1	STUD,	3
41	753-151	STUD	6
42	40187	STUD	2
43	40227	SCREW	3
44	40221	SCREW	3

LIST OF PARTS**Mine Dewatering Pumps SX1000 HH & HV****Drawing Number:**

DS-A16-078

Rev:

3

Date:

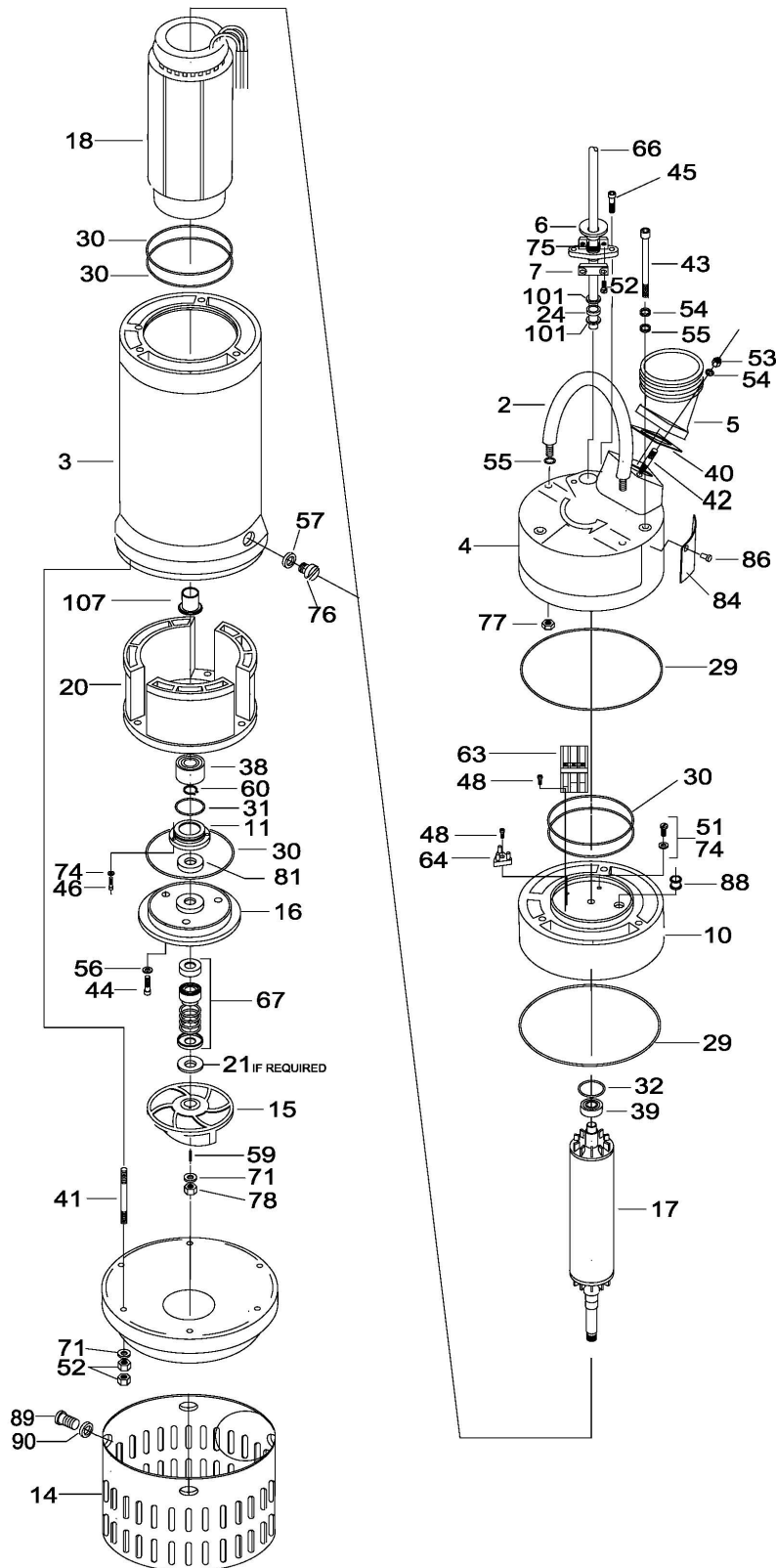
10/24/2019

Position	Stancor Part #	Description	Qty.
45	40221	SCREW	2
46	40485	SCREW	6
48	40208	SCREW	1
51	40202	SCREW	1
52	40149	NUT	12
53	40149	NUT	2
54	40108	WASHER	11
55	40116-1	RUBBERIZED WASHER	5
56	40115	DUBO RING	3
57	40117	DUBO RING	1
59	50776	IMPELLER KEY	1
60	40667	CIRCLIP	1
63	55005/230	230 VOLT CONTACTOR	1
63	55001/460	460 VOLT CONTACTOR	1
63	55001/575	575 VOLT CONTACTOR	1
64	30400	TERMINAL BLOCK	1
66	10/5 RC	CABLE	50 ft.
67	30057-1	MECHANICAL SEAL	1
71	41181-1	WASHER	1
74	40106	WASHER	10
75	CE-106	INSULATOR	1
76	40216	SCREW	1
77	40150	LOCKNUT	2
78	41260	LOCKNUT	1
81	706-74	LIP SEAL	1
84	30813	NAME PLATE	1
84	CE-112	MSHA TAG	1
86	41199	RIVET	4
88	30078	RUBBER BUSHING	1
89	40229	SCREW	4
90	40218-1	LOCK WASHER	4
101	CE-108	WASHER	2
107	31221-3	SHIELD	1

Exploded View

Mine Dewatering Pumps SX1000 HH & HV

Dwg: DS-A16-021 Rev: 1 Date: 09/15



Specifications subject to change without notice

Industrial Flow Solutions Operating, LLC • 104 John W Murphy Drive, New Haven, CT 06513, USA • 860-399-5937 • www.flowsolutions.com

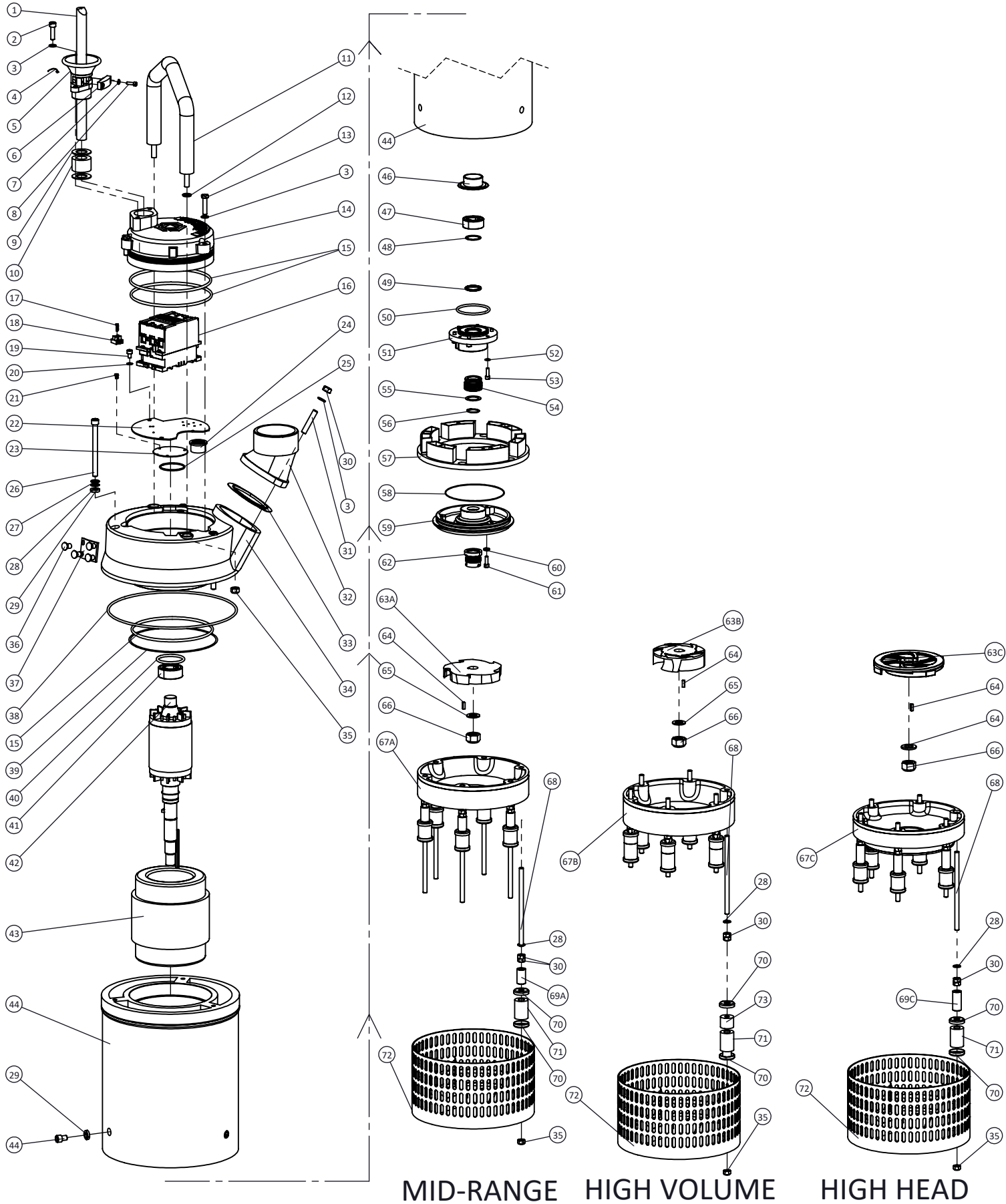
EXPLODED VIEW

Mine Dewatering Pumps P60CEM HH/HV/MR V2

Dwg: DS-A16-068

Rev: 2

Date: 12/20



MID-RANGE HIGH VOLUME HIGH HEAD

Specifications subject to change without notice

Industrial Flow Solutions Operating, LLC • 104 John W Murphy Drive, New Haven, CT 06513, USA • 860-631-3618 • www.flowsolutions.com

LIST OF PARTS**Mine Dewatering Pumps P60CEM HH/HV/MR V2**

Drawing Number:	DS-A16-084	Rev:	5	Date:	12/20/2020
------------------------	------------	-------------	---	--------------	------------

Position	Stancor Part #	Description	Qty.
1	6/3 GGC	CABLE, 6/3 G-GC	50
1	4/3 GGC	CABLE, 4/3 G-GC	-
1	610-005-1-XXX	CABLE, 2/3 G-GC	-
2	31449	SCREW	2
3	41372	LOCK WASHER	7
4	CB-817	LOCK WIRE, MSHA ONLY	2
5	620-004-1-SS1	CABLE ENTRY	1
6	630-003-1-SS1	STRAIN RELIEF CLAMP, 10/3SHD-GC,8/3G-GC,6/3G-GC	1
6	630-002-1-LE1	STRAIN RELIEF CLAMP, 4/3G-GC, 2/3 G-GC	-
7	40104	LOCK WASHER	2
8	754-134-1	SCREW	2
9	640-006-1-SS1	SUPPORT WASHER, 6/3 G-GC	2
9	640-004-1-SS1	SUPPORT WASHER, 4/3 G-GC	-
9	640-015-1-SS1	SUPPORT WASHER, 2/3 G-GC	-
10	340-006-1-NP2	GROMMET, 6/3 G-GC	1
10	340-004-1-NP2	GROMMET, 4/3 G-GC	-
10	340-015-1-NP2	GROMMET, 2/3 G-GC	-
11	30766	HANDLE	1
12	40117-1	DUBO RING	2
13	41370-1	SCREW	3
14	223-006-1-AL1	TOP COVER	1
15	41192	O-RING	3
16	55015/230	CONTACTOR - 230 V	-
16	55015/460	CONTACTOR - 460V	1
16	55015/575	CONTACTOR - 575V	-
17	41270	SCREW	1
18	30400	TERMINAL BLOCK	1
19	41203	SCREW	3
20	30724-1	LOCK WASHER,INTERNAL TOOTH	3
21	40208	SCREW	3
22	31576-1	MOUNTING PLATE	1
23	30821	BEARING COVER PLATE	1
24	31573	STATOR LEAD GROMMET ASSEMBLY	1
25	41180	O-RING	1
26	41194	SCREW	3
27	41375	LOCK WASHER	3
28	41181	WASHER, M12 - UPPER BEARING HOUSING	3
28	41181	WASHER, M12 - HYDRAULIC	6
29	40117	DUBO RING, M12	5
30	41187	HEX NUT, M12 - DISCHARGE	2
30	41187	HEX NUT, M12 - MR & HV	12

Specifications subject to change without notice

Industrial Flow Solutions Operating, LLC • 104 John W Murphy Drive, New Haven, CT 06513, USA • 860-399-5937 • www.flowsolutions.com

LIST OF PARTS**Mine Dewatering Pumps P60CEM HH/HV/MR V2**

Drawing Number:	DS-A16-084	Rev:	5	Date:	12/20/2020
------------------------	------------	-------------	---	--------------	------------

Position	Stancor Part #	Description	Qty.
30	41187	HEX NUT, M12 - HH	24
31	41173	STUD, DISCHARGE	2
32	30732	DISCHARGE CONNECTION 6" NPT - HV OR MR PUMP	1
32	30770	DISCHARGE CONNECTION 4" NPT - HH OR MR PUMP	1
33	30786	GASKET	1
34	31375	UPPER BEARING HOUSING	1
35	41260	NYLON LOCK NUT, M12	8
36	41199	RIVET	4
37	CE-112	TAG, MSHA ONLY	1
37	30813	IFS DATA TAG	1
38	41257	O-RING	1
39	40181	O-RING	1
40	41190	O-RING	1
41	40268-1	UPPER BALL BEARING	1
42	230-007-1-XXX	ROTOR SHAFT ASSEMBLY	1
43	30774-2/230	STATOR, 230 V	-
43	30774-2/460	STATOR, 460 V	1
43	30711-2/575	STATOR, 575 V	-
43	240-016-1-995	STATOR, 950 V	-
44	211-008-1-AL1	MOTOR HOUSING	1
45	40216	SCREW	2
46	31380	SHIELD	1
47	41185-1	LOWER BALL BEARING	1
48	453-005-1-CS1	RETAINING RING	1
49	41278	LIPSEAL	1
50	320-011-1-BN1	O-RING	1
51	213-033-1-AL4	UPPER SEAL HOUSING	1
52	40281-1	LOCK WASHER	6
53	411-010-1-SS1	SCREW	6
54	31620-2B	UPPER MECHANICAL SEAL	1
55	421-007-1-SS1	SUPPORT WASHER, UPPER SEAL	1
56	453-003-1-CS1	RETAINING RING	1
57	30734	PLASTIC DIFFUSER	1
58	320-012-1-BN1	O-RING	1
59	213-012-1-SS2	LOWER SEAL HOUSING,SS	1
59	213-030-1-HC1	LOWER SEAL HOUSING,HIGH CHROME	-
60	40115	DUBO RING, M8	3
61	40221-1	SCREW	3
62	30721-1	LOWER MECHANICAL SEAL	1
63A	121-030-1-SS2	IMPELLER - MR PUMP, SS	1
63A	121-030-1-HC1	IMPELLER - MR PUMP, HIGH CHROME	-

Specifications subject to change without notice

Industrial Flow Solutions Operating, LLC • 104 John W Murphy Drive, New Haven, CT 06513, USA • 860-399-5937 • www.flowsolutions.com

LIST OF PARTS**Mine Dewatering Pumps P60CEM HH/HV/MR V2****Drawing Number:** DS-A16-084 **Rev:** 5 **Date:** 12/20/2020

Position	Stancor Part #	Description	Qty.
63B	121-017-1-SS4	IMPELLER - HV PUMP, SS	1
63B	121-017-1-HC1	IMPELLER - HV PUMP, HIGH CHROME	-
63C	121-018-1-SS2	IMPELLER - HH PUMP, SS	2
63C	121-018-1-HC1	IMPELLER - HH PUMP, HIGH CHROME	-
64	50772	KEY	1
65	421-003-1-SS1	IMPELLER WASHER	1
66	433-002-1-SS1	NYLON LOCK NUT,M24	1
67A	110-007-2-AL1NP2	VOLUTE - MR PUMP, NEOPRENE	1
67A	110-007-2-AL1PU1	VOLUTE - MR PUMP, POLYURETHANE	-
67B	110-004-2-AL1NP2	VOLUTE - HV PUMP, NEOPRENE	1
67B	110-004-2-AL1PU1	VOLUTE - HV PUMP, POLYURETHANE	-
67C	110-009-2-AL1NP2	VOLUTE - HH PUMP, NEOPRENE	1
67C	110-009-2-AL1PU1	VOLUTE - HH PUMP, POLYURETHANE	-
68	31496	STUD	4
69A	457-002-1-AL3	SPACER, STUD - HV PUMPS	6
69C	30898	SPACER, STUD - HV PUMPS	6
70	424-001-1-SS1	CUP WASHER	12
71	910-001-1-NP1	DAMPER	6
72	31495	STRAINER	1
73	30899	DAMPER, HV	6
-	830-002-1-OIL	MINERAL OIL	2300mL
-	KOR0014	O-RING KIT	-

Specifications subject to change without notice

Industrial Flow Solutions Operating, LLC • 104 John W Murphy Drive, New Haven, CT 06513, USA • 860-399-5937 • www.flowsolutions.com

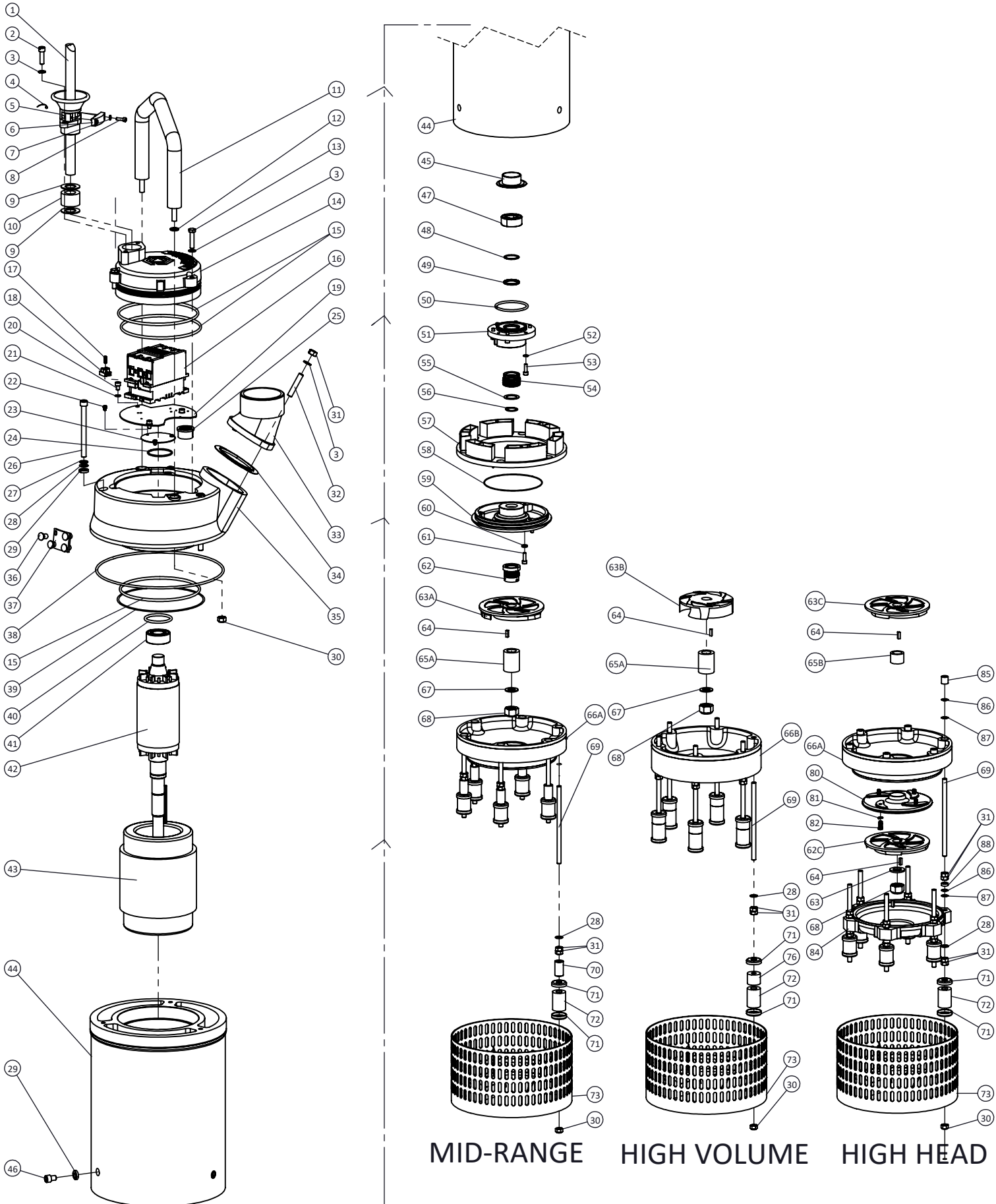
EXPLODED VIEW

Mine Dewatering Pumps SX2000 HH/HV/MR V2

Dwg: DS-A16-055

Rev: 2

Date: 12/20



Specifications subject to change without notice

Industrial Flow Solutions Operating, LLC • 104 John W Murphy Drive, New Haven, CT 06513, USA • 860-631-3618 • www.flowsolutions.com

LIST OF PARTS**Mine Dewatering Pumps SX2000 HH/HV/MR V2**

Drawing Number:	DS-A16-082	Rev:	2	Date:	12/20/2020
------------------------	------------	-------------	---	--------------	------------

Position	Stancor Part #	Description	Qty.
1	6/3 GGC	CABLE, 6/3 G-GC	50
1	4/3 GGC	CABLE, 4/3 G-GC	-
1	610-005-1-XXX	CABLE, 2/3 G-GC	-
2	31449	SCREW	2
3	41372	LOCK WASHER	7
4	CB-817	LOCK WIRE, MSHA ONLY	2
5	620-004-1-SS1	CABLE ENTRY	1
6	630-003-1-SS1	STRAIN RELIEF CLAMP, 10/3SHD-GC,8/3G-GC,6/3G-GC	1
6	630-002-1-LE1	STRAIN RELIEF CLAMP, 4/3G-GC, 2/3 G-GC	-
7	40104	LOCK WASHER	2
8	754-134-1	SCREW	2
9	640-006-1-SS1	SUPPORT WASHER, 6/3 G-GC	2
9	640-004-1-SS1	SUPPORT WASHER, 4/3 G-GC	-
9	640-015-1-SS1	SUPPORT WASHER, 2/3 G-GC	-
10	340-006-1-NP2	GROMMET, 6/3 G-GC	1
10	340-004-1-NP2	GROMMET, 4/3 G-GC	-
10	340-015-1-NP2	GROMMET, 2/3 G-GC	-
11	30766	HANDLE	1
12	40117-1	DUBO RING	2
13	41370-1	SCREW	3
14	223-006-1-AL1	TOP COVER	1
15	41192	O-RING	3
16	55015/230	CONTACTOR - 230 V	-
16	55015/460	CONTACTOR - 460V	1
16	55015/575	CONTACTOR - 575V	-
17	41270	SCREW	1
18	30400	TERMINAL BLOCK	1
19	31576-1	MOUNTING PLATE	1
20	41203	SCREW	3
21	30724-1	LOCK WASHER,INTERNAL TOOTH	3
22	40208	SCREW	3
23	30821	BEARING COVER PLATE	1
24	41180	O-RING	1
25	31573	STATOR LEAD GROMMET ASSEMBLY	1
26	41194	SCREW	3
27	41375	LOCK WASHER	3
28	41181	WASHER, M12 - UPPER BEARING HOUSING	3
28	41181	WASHER, M12 - HYDRAULIC	6
29	40117	DUBO RING, M12	5
30	41260	NYLON LOCK NUT, M12	8
31	41187	HEX NUT, M12 - DISCHARGE	2

Specifications subject to change without notice

Industrial Flow Solutions Operating, LLC • 104 John W Murphy Drive, New Haven, CT 06513, USA • 860-399-5937 • www.flowsolutions.com

LIST OF PARTS**Mine Dewatering Pumps SX2000 HH/HV/MR V2**

Drawing Number:	DS-A16-082	Rev:	2	Date:	12/20/2020
------------------------	------------	-------------	---	--------------	------------

Position	Stancor Part #	Description	Qty.
31	41187	HEX NUT, M12 - MR & HV	12
31	41187	HEX NUT, M12 - HH	24
32	41173	STUD, DISCHARGE	2
33	30732	DISCHARGE CONNECTION 6" NPT - HV OR MR PUMP	1
33	30770	DISCHARGE CONNECTION 4" NPT - HH OR MR PUMP	1
34	30786	GASKET	1
35	31375	UPPER BEARING HOUSING	1
36	41199	RIVET	4
37	CE-112	TAG, MSHA ONLY	1
37	30813	IFS DATA TAG	1
38	41257	O-RING	1
39	40181	O-RING	1
40	41190	O-RING	1
41	40268-1	UPPER BALL BEARING	1
42	230-008-1-XXX	ROTOR SHAFT ASSEMBLY	1
43	30774-1/230	STATOR, 230 V	-
43	30774-1/460	STATOR, 460 V	1
43	30711-1/575	STATOR, 575 V	-
43	240-017-1-995	STATOR, 950 V	-
44	211-007-1-AL1	MOTOR HOUSING	1
45	31380	SHIELD	1
46	40216	SCREW	2
47	41185-1	LOWER BALL BEARING	2
48	453-005-1-CS1	RETAINING RING	1
49	41278	LIPSEAL	1
50	320-011-1-BN1	O-RING	1
51	213-033-1-AL4	UPPER SEAL HOUSING	1
52	40281-1	LOCK WASHER	6
53	411-010-1-SS1	SCREW	6
54	31620-2B	UPPER MECHANICAL SEAL	1
55	421-007-1-SS1	SUPPORT WASHER, UPPER SEAL	1
56	453-003-1-CS1	RETAINING RING	1
57	30734	PLASTIC DIFFUSER	1
58	320-012-1-BN1	O-RING	1
59	213-012-1-SS2	LOWER SEAL HOUSING,SS	1
59	213-030-1-HC1	LOWER SEAL HOUSING,HIGH CHROME	-
60	40115	DUBO RING, M8	3
61	40221-1	SCREW	3
62	30721-1	LOWER MECHANICAL SEAL	1
63A	121-029-1-SS2	IMPELLER - MR PUMP, SS	1
63A	121-029-1-HC1	IMPELLER - MR PUMP, HIGH CHROME	-

Specifications subject to change without notice

Industrial Flow Solutions Operating, LLC • 104 John W Murphy Drive, New Haven, CT 06513, USA • 860-399-5937 • www.flowsolutions.com



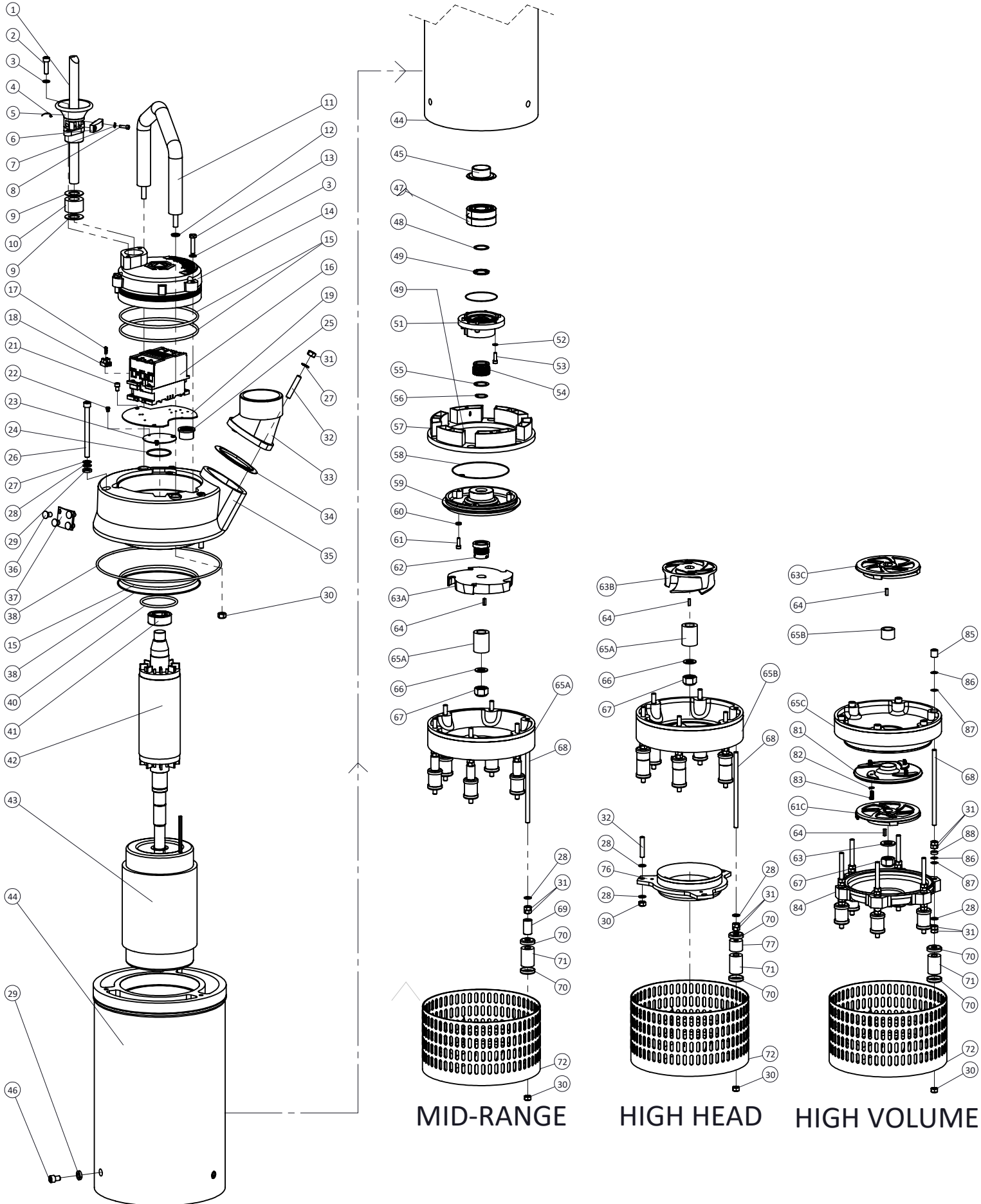
LIST OF PARTS

Mine Dewatering Pumps SX2000 HH/HV/MR V2

Drawing Number:	DS-A16-082	Rev:	2	Date:	12/20/2020
------------------------	------------	-------------	---	--------------	------------

Position	Stancor Part #	Description	Qty.
63B	121-015-1-SS4	IMPELLER - HV PUMP, SS	1
63B	121-015-1-HC1	IMPELLER - HV PUMP, HIGH CHROME	-
63C	121-016-1-SS2	IMPELLER - HH PUMP, SS	2
63C	121-016-1-HC1	IMPELLER - HH PUMP, HIGH CHROME	-
64	50772	KEY, HV & MR PUMPS	1
64	50772	KEY, HH PUMP	2
65A	172-007-1-SS1	IMPELLER SPACER - MR & HV PUMPS	1
65B	172-006-1-SS1	IMPELLER SPACER - HH PUMP	1
66A	110-009-2-AL1NP2	VOLUTE - MR/HH PUMP, NEOPRENE	1
66A	110-009-2-AL1PU1	VOLUTE - MR/HH PUMP, POLYURETHANE	-
66B	110-004-2-AL1NP2	VOLUTE - HV PUMP, NEOPRENE	1
66B	110-004-2-AL1PU1	VOLUTE - HV PUMP, POLYURETHANE	-
67	421-003-1-SS1	IMPELLER WASHER	1
68	433-002-1-SS1	NYLON LOCK NUT, M24	1
69	330-007-1	GASKET	1
70	31496	STUD	4
71	30898	SPACER, STUD - MR PUMPS	6
72	424-001-1-SS1	CUP WASHER	12
73	910-001-1-NP1	DAMPER	6
74	31495	STRAINER	1
76	30899	DAMPER, HV	6
80	226-002-1-SS2	BACK COVER, SS	1
80	226-002-1-HC1	BACK COVER, HIGH CHROME	-
81	40218-1	LOCK WASHER	4
82	411-037-1-SS1	SCREW	4
84	110-010-2-AL1NP2	VOLUTE, LOWER, NEOPRENE	1
84	110-010-2-AL1PU1	VOLUTE, LOWER, POLYURETHANE	-
85	457-004-1-SS1	SPACER, UPPER HH	6
86	426-008-1-SS1	SHIM, 0.5mm	6
87	426-009-1-SS1	SHIM, 0.2mm	6
88	457-005-1-SS1	SPACER, LOWER HH	6
-	830-002-1-OIL	MINERAL OIL	2300mL
-	KOR0014	O-RING KIT	-

Specifications subject to change without notice





LIST OF PARTS

Mine Dewatering Pumps P70CE HH/HV/MR V2

Drawing Number:	DS-A16-080	Rev:	5	Date:	1/26/2026
------------------------	------------	-------------	---	--------------	-----------

Position	Stancor Part #	Description	Qty.
1	6/3 GGC	CABLE, 6/3 G-GC	50
1	4/3 GGC	CABLE, 4/3 G-GC	-
1	610-005-1-XXX	CABLE, 2/3 G-GC	-
2	31449	SCREW	2
3	41372	LOCK WASHER	7
4	CB-817	LOCK WIRE, MSHA ONLY	2
5	620-004-1-SS1	CABLE ENTRY	1
6	630-003-1-SS1	STRAIN RELIEF CLAMP, 10/3SHD-GC,8/3G-GC,6/3G-GC	1
6	630-002-1-LE1	STRAIN RELIEF CLAMP, 4/3G-GC, 2/3 G-GC	-
7	40104	LOCK WASHER	2
8	754-134-1	SCREW	2
9	640-006-1-SS1	SUPPORT WASHER, 6/3 G-GC	2
9	640-004-1-SS1	SUPPORT WASHER, 4/3 G-GC	-
9	640-015-1-SS1	SUPPORT WASHER, 2/3 G-GC	-
10	340-006-1-NP2	GROMMET, 6/3 G-GC	1
10	340-004-1-NP2	GROMMET, 4/3 G-GC	-
10	340-015-1-NP2	GROMMET, 2/3 G-GC	-
11	30766	HANDLE	1
12	40117-1	DUBO RING	2
13	41370-1	SCREW	3
14	223-006-1-AL1	TOP COVER	1
15	41192	O-RING	3
16	55015/230	CONTACTOR - 230 V	-
16	55015/460	CONTACTOR - 460V	1
16	55015/575	CONTACTOR - 575V	-
17	41270	SCREW	1
18	30400	TERMINAL BLOCK	1
19	31576-1	MOUNTING PLATE	1
20	41203	SCREW	3
21	30724-1	LOCK WASHER,INTERNAL TOOTH,M8	3
22	40208	SCREW	3
23	30821	BEARING COVER PLATE	1
24	41180	O-RING	1
25	31573	STATOR LEAD GROMMET ASSEMBLY	1
26	41194	SCREW	3
27	41375	LOCK WASHER	7
28	41181	WASHER, M12 - UPPER BEARING HOUSING	3
28	41181	WASHER, M12 - HYDRAULIC	6
29	40117	DUBO RING, M12	5
30	41260	NYLON LOCK NUT, M12-1.75 - HH & MR	8
30	41260	NYLON LOCK NUT, M12-1.75 - HV	11

Specifications subject to change without notice



LIST OF PARTS

Mine Dewatering Pumps P70CE HH/HV/MR V2

Drawing Number:	DS-A16-080	Rev:	5	Date:	1/26/2026
------------------------	------------	-------------	---	--------------	-----------

Position	Stancor Part #	Description	Qty.
31	41187	HEX NUT, M12-1.75 - DISCHARGE	2
31	41187	HEX NUT, M12-1.75 - MR & HV	12
31	41187	HEX NUT, M12-1.75 - HH	24
32	41173	STUD, DISCHARGE	2
32	41173	STUD, WEAR PLATE - HV	3
33	30732	DISCHARGE CONNECTION 6" NPT - HV OR MR PUMP	1
33	30770	DISCHARGE CONNECTION 4" NPT - HH OR MR PUMP	1
34	30786	GASKET	1
35	31375	UPPER BEARING HOUSING	1
36	41199	RIVET	4
37	CE-112	TAG, MSHA ONLY	1
37	30813	IFS DATA TAG	1
38	41257	O-RING	1
39	40181	O-RING	1
40	41190	O-RING	1
41	40268-1	UPPER BALL BEARING	1
42	230-009-1-XXX	ROTOR SHAFT ASSEMBLY	1
43	31441-1/230	STATOR, 230 V, NON-MSHA	-
43	31441-1/460	STATOR, 460 V	1
43	31434-1/575	STATOR, 575 V	-
43	240-018-1-995	STATOR, 950 V	-
44	211-006-1-AL1	MOTOR HOUSING	1
45	40216	SCREW	2
46	31380	SHIELD	1
47	41185-2B	LOWER BALL BEARING	2
48	453-005-1-SS5	RETAINING RING	1
49	41278	LIPSEAL	1
50	320-016-1-BN1	O-RING	1
51	213-011-1-AL4	UPPER SEAL HOUSING	1
52	40218-1	LOCK WASHER	6
53	411-010-1-SS1	SCREW	6
54	31620-2B	UPPER MECHANICAL SEAL	1
55	421-007-1-SS1	SUPPORT WASHER, UPPER SEAL	1
56	453-003-1-SS5	RETAINING RING	1
57	30734	PLASTIC DIFFUSER	1
58	320-012-1-BN1	O-RING	1
59	213-012-1-SS2	LOWER SEAL HOUSING,SS	1
59	213-030-1-HC1	LOWER SEAL HOUSING,HIGH CHROME	-
60	40115	DUBO RING, M8	3
61	40221-1	SCREW	3
62	30721-1	LOWER MECHANICAL SEAL	1

Specifications subject to change without notice



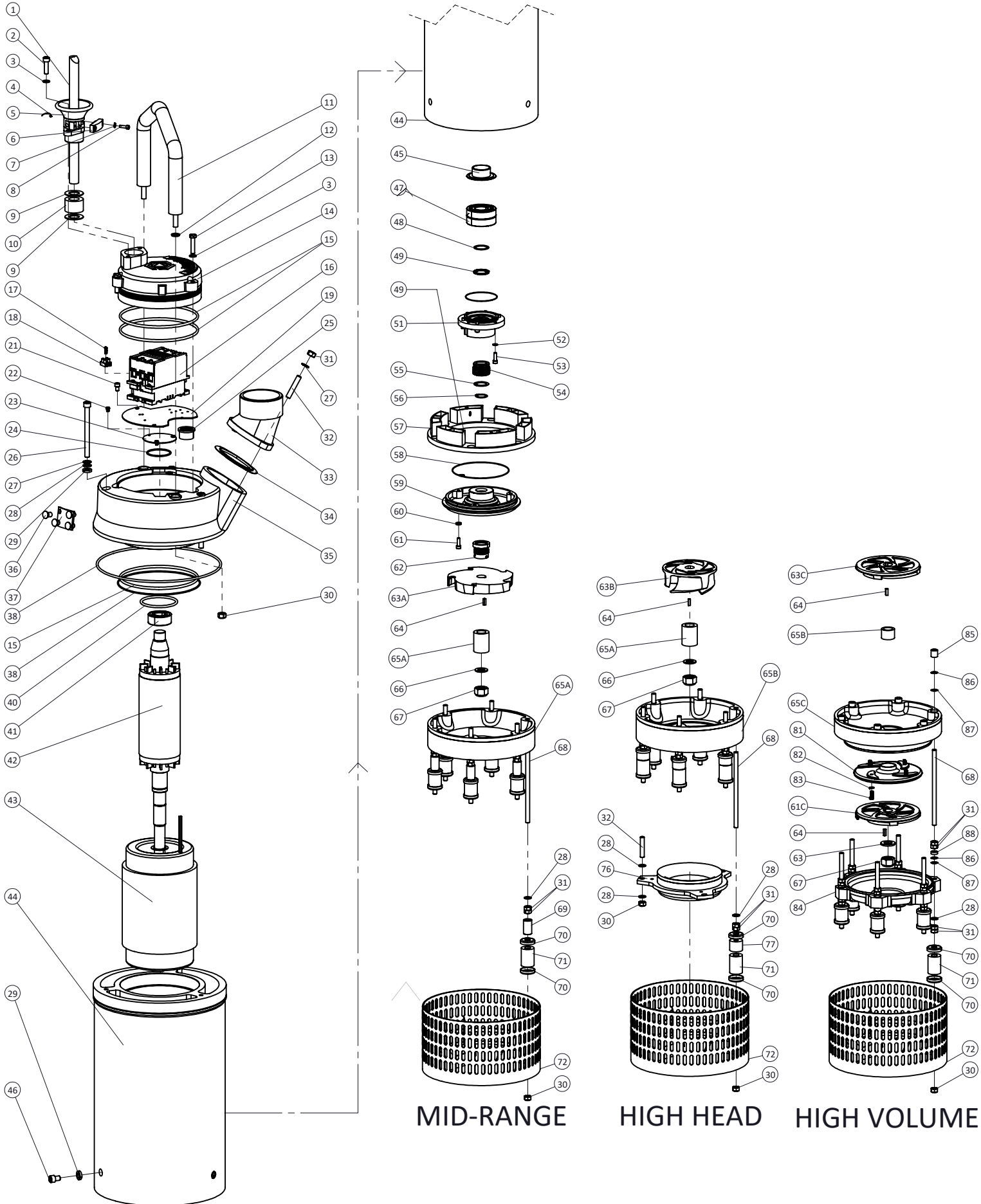
LIST OF PARTS

Mine Dewatering Pumps P70CE HH/HV/MR V2

Drawing Number:	DS-A16-080	Rev:	5	Date:	1/26/2026
------------------------	------------	-------------	---	--------------	-----------

Position	Stancor Part #	Description	Qty.
63A	121-026-1-SS2	IMPELLER - MR PUMP, SS	1
63A	121-026-1-HC1	IMPELLER - MR PUMP, HIGH CHROME	-
63B	121-013-1-SS4	IMPELLER - HV PUMP, SS	1
63B	121-013-1-HC1	IMPELLER - HV PUMP, HIGH CHROME	-
63C	121-014-1-SS2	IMPELLER - HH PUMP, SS	2
63C	121-014-1-HC1	IMPELLER - HH PUMP, HIGH CHROME	-
64	50772	KEY, HV & MR PUMPS	1
64	50772	KEY, HH PUMP	2
65A	172-007-1-SS2	IMPELLER SPACER - MR & HV PUMPS	1
65B	172-006-1-SS2	IMPELLER SPACER - HH PUMP	1
65A	110-007-2-AL1NP2	VOLUTE - MR PUMP, NEOPRENE	1
65A	110-007-2-AL1PU1	VOLUTE - MR PUMP, POLYURETHANE	-
65B	110-003-2-AL1NP2	VOLUTE - HV PUMP, NEOPRENE	1
65B	110-003-2-AL1PU1	VOLUTE - HV PUMP, POLYURETHANE	-
65C	110-009-2-AL1NP2	VOLUTE - HH PUMP, NEOPRENE	1
65C	110-009-2-AL1PU1	VOLUTE - HH PUMP, POLYURETHANE	-
66	421-003-1-SS1	IMPELLER WASHER	1
67	433-002-1-SS1	NYLON LOCK NUT	1
66	31496	STUD	6
69	457-002-1-AL3	SPACER, STUD - MR PUMPS	6
70	424-001-1-SS1	CUP WASHER	12
71	910-001-1-NP1	DAMPER	6
72	31495	STRAINER	1
76	31540	WEAR PLATE, HV PUMP	1
77	30899	DAMPER, HV	6
81	226-001-1-SS2	BACK COVER, SS	1
81	226-001-1-HC1	BACK COVER, HIGH CHROME	-
82	411-037-1-SS1	SCREW	4
83	40218-1	LOCK WASHER	4
84	110-010-2-AL1NP2	VOLUTE, LOWER, NEOPRENE	1
84	110-010-2-AL1PU1	VOLUTE, LOWER, POLYURETHANE	-
85	457-004-1-SS1	SPACER,UPPER HH	6
86	426-008-1-SS1	SHIM 20 x 14 x 0.5	6
87	426-009-1-SS1	SHIM 20 x 14 x 0.2	6
88	457-005-1-SS1	SPACER,LOWER HH	6
-	830-002-1-OIL	MINERAL OIL	2300mL
-	KOR0015	O-RING KIT	-

Specifications subject to change without notice





LIST OF PARTS

Mine Dewatering Pumps SX4500 HH/HV/MR V2

Drawing Number:	DS-A16-081	Rev:	4	Date:	12/20/2020
------------------------	------------	-------------	---	--------------	------------

Position	Stancor Part #	Description	Qty.
1	6/3 GGC	CABLE, 6/3 G-GC	50
1	4/3 GGC	CABLE, 4/3 G-GC	-
1	610-005-1-XXX	CABLE, 2/3 G-GC	-
2	31449	SCREW	2
3	41372	LOCK WASHER	7
4	CB-817	LOCK WIRE, MSHA ONLY	2
5	620-004-1-SS1	CABLE ENTRY	1
6	630-003-1-SS1	STRAIN RELIEF CLAMP, 10/3SHD-GC,8/3G-GC,6/3G-GC	1
6	630-002-1-LE1	STRAIN RELIEF CLAMP, 4/3G-GC, 2/3 G-GC	-
7	40104	LOCK WASHER	2
8	754-134-1	SCREW	2
9	640-006-1-SS1	SUPPORT WASHER, 6/3 G-GC	2
9	640-004-1-SS1	SUPPORT WASHER, 4/3 G-GC	-
9	640-015-1-SS1	SUPPORT WASHER, 2/3 G-GC	-
10	340-006-1-NP2	GROMMET, 6/3 G-GC	1
10	340-004-1-NP2	GROMMET, 4/3 G-GC	-
10	340-015-1-NP2	GROMMET, 2/3 G-GC	-
11	30766	HANDLE	1
12	40117-1	DUBO RING	2
13	41370-1	SCREW	3
14	223-006-1-AL1	TOP COVER	1
15	41192	O-RING	3
16	55015/230	CONTACTOR - 230 V	-
16	55015/460	CONTACTOR - 460V	1
16	55015/575	CONTACTOR - 575V	-
17	41270	SCREW	1
18	30400	TERMINAL BLOCK	1
19	31576-1	MOUNTING PLATE	1
20	41203	SCREW	3
21	30724-1	LOCK WASHER,INTERNAL TOOTH,M8	3
22	40208	SCREW	3
23	30821	BEARING COVER PLATE	1
24	41180	O-RING	1
25	31573	STATOR LEAD GROMMET ASSEMBLY	1
26	41194	SCREW	3
27	41375	LOCK WASHER	7
28	41181	WASHER, M12 - UPPER BEARING HOUSING	3
28	41181	WASHER, M12 - HYDRAULIC	6
29	40117	DUBO RING, M12	5
30	41260	NYLON LOCK NUT, M12-1.75 - HH & MR	8
30	41260	NYLON LOCK NUT, M12-1.75 - HV	11

Specifications subject to change without notice



LIST OF PARTS

Mine Dewatering Pumps SX4500 HH/HV/MR V2

Drawing Number: DS-A16-081 **Rev:** 4 **Date:** 12/20/2020

Position	Stancor Part #	Description	Qty.
31	41187	HEX NUT, M12-1.75 - DISCHARGE	2
31	41187	HEX NUT, M12-1.75 - MR & HV	12
31	41187	HEX NUT, M12-1.75 - HH	24
32	41173	STUD, DISCHARGE	2
32	41173	STUD, WEAR PLATE - HV	3
33	30732	DISCHARGE CONNECTION 6" NPT - HV OR MR PUMP	1
33	30770	DISCHARGE CONNECTION 4" NPT - HH OR MR PUMP	1
34	30786	GASKET	1
35	31375	UPPER BEARING HOUSING	1
36	41199	RIVET	4
37	CE-112	TAG, MSHA ONLY	1
37	30813	IFS DATA TAG	1
38	41257	O-RING	1
39	40181	O-RING	1
40	41190	O-RING	1
41	40268-1	UPPER BALL BEARING	1
42	230-010-1-XXX	ROTOR SHAFT ASSEMBLY	1
43	31442/460	STATOR, 460 V	1
43	31443/575	STATOR, 575 V	-
43	240-019-1-995	STATOR, 950 V	-
44	211-006-1-AL1	MOTOR HOUSING	1
45	40216	SCREW	2
46	31380	SHIELD	1
47	41185-2B	LOWER BALL BEARING	2
48	453-005-1-CS1	RETAINING RING	1
49	41278	LIPSEAL	1
50	320-016-1-BN1	O-RING	1
51	213-011-1-AL4	UPPER SEAL HOUSING	1
52	40281-1	LOCK WASHER	6
53	411-010-1-SS1	SCREW	6
54	31620-2B	UPPER MECHANICAL SEAL	1
55	421-007-1-SS1	SUPPORT WASHER, UPPER SEAL	1
56	453-003-1-CS1	RETAINING RING	1
57	30734	PLASTIC DIFFUSER	1
58	320-012-1-BN1	O-RING	1
59	213-012-1-SS2	LOWER SEAL HOUSING,SS	1
59	213-030-1-HC1	LOWER SEAL HOUSING,HIGH CHROME	-
60	40115	DUBO RING, M8	3
61	40221-1	SCREW	3
62	30721-1	LOWER MECHANICAL SEAL	1
63A	121-027-1-SS2	IMPELLER - MR PUMP, SS	1

Specifications subject to change without notice



LIST OF PARTS

Mine Dewatering Pumps SX4500 HH/HV/MR V2

Drawing Number: DS-A16-081 **Rev:** 4 **Date:** 12/20/2020

Position	Stancor Part #	Description	Qty.
63A	121-027-1-HC1	IMPELLER - MR PUMP, HIGH CHROME	-
63B	121-011-1-SS4	IMPELLER - HV PUMP, SS	1
63B	121-011-1-HC1	IMPELLER - HV PUMP, HIGH CHROME	-
63C	121-012-1-SS2	IMPELLER - HH PUMP, SS	2
63C	121-012-1-HC1	IMPELLER - HH PUMP, HIGH CHROME	-
64	50772	KEY, HV & MR PUMPS	1
64	50772	KEY, HH PUMP	2
65A	172-007-1-SS1	IMPELLER SPACER - MR & HV PUMPS	1
65B	172-006-1-SS1	IMPELLER SPACER - HH PUMP	1
65A	110-007-2-AL1NP2	VOLUTE - MR PUMP, NEOPRENE	1
65A	110-007-2-AL1PU1	VOLUTE - MR PUMP, POLYURETHANE	-
65B	110-003-2-AL1NP2	VOLUTE - HV PUMP, NEOPRENE	1
65B	110-003-2-AL1PU1	VOLUTE - HV PUMP, POLYURETHANE	-
65C	110-009-2-AL1NP2	VOLUTE - HH PUMP, NEOPRENE	1
65C	110-009-2-AL1PU1	VOLUTE - HH PUMP, POLYURETHANE	-
66	421-003-1-SS1	IMPELLER WASHER	1
67	433-002-1-SS1	NYLON LOCK NUT	1
66	31496	STUD	6
69	457-002-1-AL3	SPACER, STUD - MR PUMPS	6
70	424-001-1-SS1	CUP WASHER	12
71	910-001-1-NP1	DAMPER	6
72	31495	STRAINER	1
76	31540	WEAR PLATE, HV PUMP	1
77	30899	DAMPER, HV	6
81	226-001-1-SS2	BACK COVER, SS	1
81	226-001-1-HC1	BACK COVER, HIGH CHROME	-
82	411-037-1-SS1	LOCK WASHER	4
83	40218-1	SCREW	4
84	110-010-2-AL1NP2	VOLUTE, LOWER, NEOPRENE	1
84	110-010-2-AL1PU1	VOLUTE, LOWER, POLYURETHANE	-
85	457-004-1-SS1	SPACER,UPPER HH	6
86	426-008-1-SS1	SHIM 20 x 14 x 0.5	6
87	426-009-1-SS1	SHIM 20 x 14 x 0.2	6
88	457-005-1-SS1	SPACER,LOWER HH	6
-	830-002-1-OIL	MINERAL OIL	2300mL
-	KOR0015	O-RING KIT	-

Specifications subject to change without notice

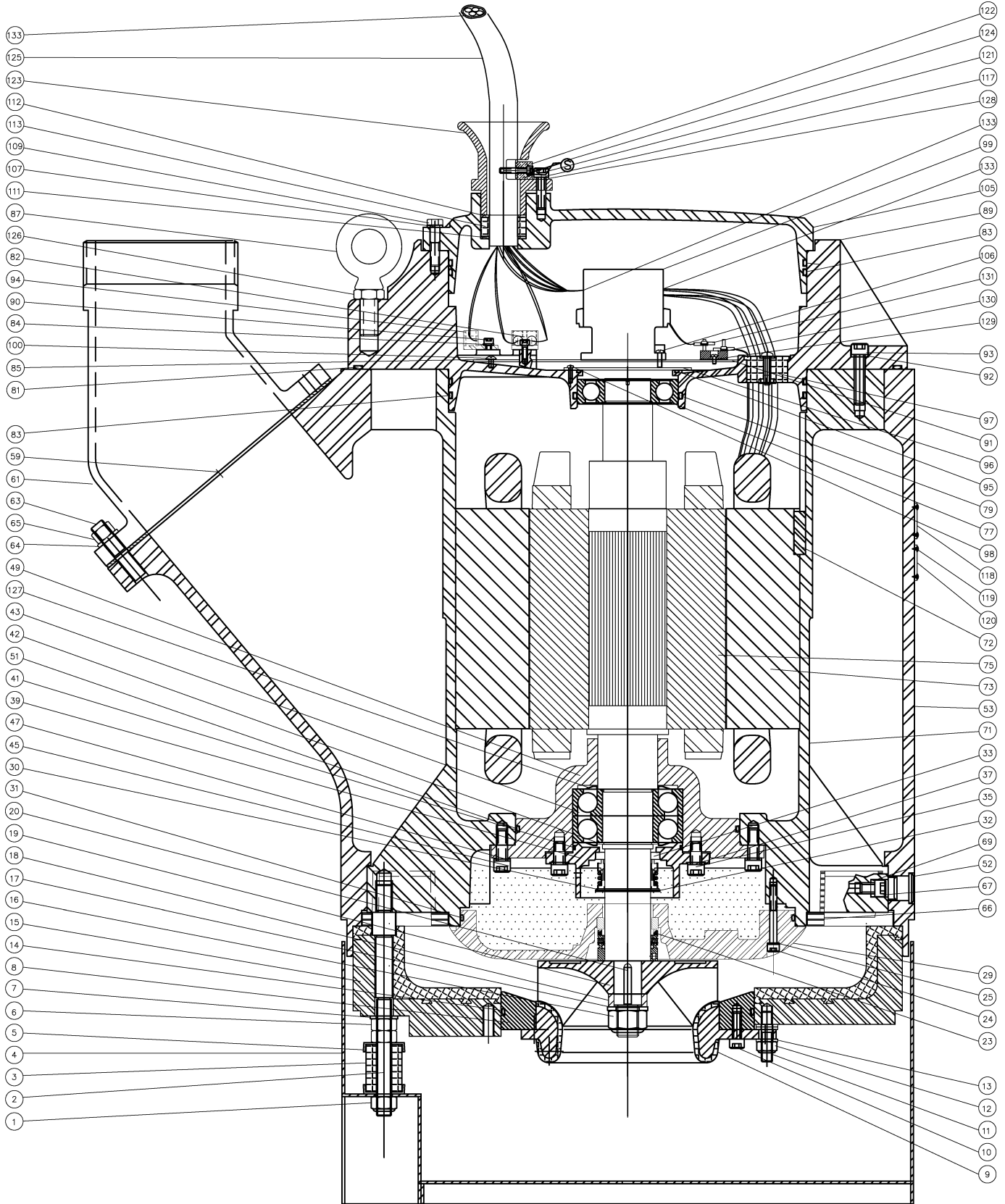
CROSS SECTION

Mine Dewatering Pumps SX6000 MR

Drawing Number: DS-A16-108

Rev: 3

Date: 4/6/2022





LIST OF PARTS

Mine Dewatering Pumps SX6000 MR

Drawing Number: DS-A16-108

Rev: 3

Date: 3/28/2022

Position	Stancor Part #	Description	Qty.
1	433-001-1-SS1	Nylon Lock Nut, SS	6
2	413-001-1-SS1	Stud, SS	6
3	910-001-1-NP1	Bushing, NP	6
4	150-001-1-SS1	Strainer, SS	1
5	424-001-1-SS1	Cup washer, SS	12
6	431-001-1-SS1	Hex Nut, SS	12
7	421-001-1-SS1	Washer, SS	6
8	151-005-1-SS2	Adaptor Ring	1
9	130-003-2-CI4NP2	Wear Plate, NP	1
9	130-003-2-CI4PU2	Wear Plate, PU	-
10	411-007-1-SS1	Screw, Adaptor	3
11	41173	Stud, Wear Plate	3
12	41260	Nylon Lock Nut, SS	3
13	41181	Washer, SS	9
14	320-001-1-BN1	O-ring, Buna	1
15	110-001-2-AL1NP2	Volute, AL/NP	1
16	433-002-1-SS1	Nylon Lock Nut, SS	1
17	421-003-1-SS1	Washer, SS	1
18	172-005-1-SS2	Impeller Spacer, SS Impeller only	1
19	121-008-1-SS4	Impeller, SS	1
19	121-008-1-HC1	Impeller, HC	-
20	440-002-1-SS3	Key, SS	1
23	310-001-2-XX0	Lower seal, Silicon Carbide Faces, Cup Seat	1
24	411-001-1-SS1	Screw, Socket Head Cap, SS	6
25	40115	Dubo Ring, Nylon	6
29	213-002-2-SS2	Lower Seal Housing, SS	1
30	421-005-1-SS1	Support Washer, SS	1
31	320-002-1-BN1	O-ring, Buna	1
32	453-001-1-CS1	Retaining Ring, Carbon Steel	1
33	310-002-1-XX1	Upper Seal, Silicon Carbide faces	1
35	411-002-1-SS1	Screw, Socket Head Cap, SS	8
37	41181-2	Lock Washer, SS	8
39	213-001-1-DI1	Upper Seal Housing, DI	1
41	320-008-1-BN1	O-ring, Buna	1
42	453-002-1-SS1	Retaining Ring, SS	1
43	250-001-1-XXX	Lower Bearings	2
45	411-003-1-SS1	Screw, Socket Head Cap, SS	10
47	41181-2	Lock Washer, SS	10
49	212-003-1-DI1	Lower Bearing Housing, DI	1
51	320-010-1-BN1	O-ring, Buna	1
52	414-002-1-SS2	Plug, SS	2
53	270-001-1-AL1	Cooling Jacket, AL	1
59	330-001-1-KS4	Discharge Gasket, Garlock	1
61	160-001-1-SS1	Discharge, 6" threaded, SS	1



LIST OF PARTS

Mine Dewatering Pumps SX6000 MR

Drawing Number: DS-A16-108

Rev: 3

Date: 3/28/2022

Position	Stancor Part #	Description	Qty.
61	160-002-1-SS1	Discharge, 8" threaded, SS	-
63	413-003-1-SS1	Stud, SS	6
64	422-001-1-SS1	Lock Washer, SS	6
65	431-001-1-SS1	Hex Nut, SS	6
66	140-001-1-PL1	Diffuser, PL	1
67	40216	Screw, Socket Head Cap, SS	2
69	40117	Dubo Ring, Nylon	2
71	211-002-1-AL1	Motor Housing, AL	1
72	452-001-1-SS2	Pin, SS	1
73	240-001-1-XXX	Stator, 2 Pole, 3Ph/460V/60Hz	1
73	240-010-1-XXX	Stator, 2 Pole, 3Ph/575V/60Hz	1
75	230-001-1-XXX	Rotor Assembly, 2 Pole	1
77	250-002-1-XXX	Bearing,	1
79	320-007-1-BN1	O-Ring, Buna	1
81	320-005-1-BN1	O-Ring, Buna	1
82	CB-861#6	Ground lug, AL	1
83	320-006-1-BN1	O-Ring, Buna	4
84	40104	Split Lock Washer, SS	2
85	40106	Internal Tooth Lock Washer, SS	3
87	224-001-1-SS1	Lifting Lug, SS	2
89	212-002-1-AL1	Upper Bearing Housing, AL	1
90	40217	Screw, Socket Head Cap, SS	2
91	730-001-1-AL2	Mounting Plate, AL	1
92	40117	Dubo Ring, Nylon	10
93	411-004-1-SS1	Screw, Socket Head Cap, SS	10
94	720-001-1-AL3	Ground lug, AL	2
95	320-004-1-BN1	O-Ring, Buna	1
96	222-001-1-AL2	Bearing Cover, AL	1
97	340-047-1-XXX	Grommet Assembly, Stator Leads, NP	1
98	40209	Screw, Slotted Cheese Head, SS	3
99	710-001-1-XXX	IEC Contactor 460v	1
99	710-002-1-XXX	IEC Contactor 575v	-
100	411-005-1-SS1	Screw, Slot Truss, SS	3
105	223-004-1-AL1	Top Cover, SX7600, AL	1
106	402117	Screw, Slotted Cheese Head, SS	4
107	41372	Lock Washer, SS	10
109	41370-1	Bolt, Hex Head, SS	10
111	640-004-1-SS1	Cable Support Washer, 4/3G-GC, SS	2
111	640-009-1-SS1	Cable Support Washer, 2/3G-GC, SS	-
113	340-004-1-NP2	Grommet Cable Entry, 4/3G-GC, NP	1
113	340-015-1-NP2	Grommet Cable Entry, 2/3G-GC, NP	-
117	31449	Screw, Socket Head Cap, W/ hole, SS	2
118	30813	Data Plate Stancor	1
119	41199	Rivet	8



LIST OF PARTS

Mine Dewatering Pumps SX6000 MR

Drawing Number: DS-A16-108

Rev: 3

Date: 3/28/2022

Position	Stancor Part #	Description	Qty.
120	CE-112	Data Plate MSHA	1
121	630-002-1-LE1	Strain Relief Clamp, LX	1
122	754-134-1	Screw, Socket Head Cap, SS	2
123	620-004-1-SS1	Cable Entry, 4/3G-GC,2/3G-GC, SS	1
124	CB-817	Lock Wire	2
125	4/3 GGC	Cable, 4/3 G-GC	50FT
125	610-005-1-XXX	Cable, 2/3 G-GC	-
126	432-003-1-SS1	Hex Nut, Thin, SS	2
127	360-001-1-ZN1	NILOS RING	2
128	41372	Lock Washer, SS	2
129	411-022-1-GS1	Screw, SS	1
130	30400	Terminal Block	1
131	721-001-1-XXX	Ring Terminal	4
133	750-001-1-CU1	Ferrules	9
-	850-001-1-GRE	Bearing Grease	50g
-	830-002-1-OIL	Oil	7.47qts.
-	KOR0010	O-Ring Kit	-
-	KRE0013	Repair Kit	-
-	KRE0013	Repair Kit	-



LIST OF PARTS

Mine Dewatering Pumps SX7500 HH

Drawing Number: DS-A16-041

Rev: 4

Date: 6/23/2020

Position	Stancor Part #	Description	Qty.
1	433-001-1-SS1	Nylon Lock Nut, SS	6
2	413-001-1-SS1	Stud, SS	6
4	910-001-1-NP1	Bushing, NP	6
5	150-001-1-SS1	Strainer, SS	1
6	431-001-1-SS1	Hex Nut, SS	12
7	424-001-1-SS1	Cup washer, SS	12
8	421-001-1-SS1	Washer, SS	6
9	413-002-1-SS1	Stud, SS	6
10	41181-1	Flat Washer, SS	6
11	41260	Nylon Lock Nut, SS	6
12	41181-2	Lock Washer, SS	6
13	130-001-2-AL1NP2	Wear Plate, AL/NP	1
14	320-001-1-BN1	O-ring, Buna	1
15	110-001-2-AL1NP2	Volute, AL/NP	1
16	440-002-1-SS3	Key, SS	1
17	433-002-1-SS1	Nylon Lock Nut, SS	1
18	421-003-1-SS1	Washer, SS	1
19	121-004-1-SS1	Impeller, MSHA, SS	1
20	432-002-1-SS1	Hex Nut, Thin, SS	6
23	310-001-1-XXX	Lower seal, Silicon Carbide Faces	1
24	411-001-1-SS1	Screw, Socket Head Cap, SS	6
25	40115	Dubo Ring, Nylon	6
29	213-002-1-SS2	Lower Seal Housing, SS	1
30	421-005-1-SS1	Support Washer, SS	1
31	320-002-1-BN1	O-ring, Buna	1
32	453-001-1-CS1	Retaining Ring, Carbon Steel	1
33	310-002-1-XXX	Upper Seal, Silicon Carbide faces	1
35	411-002-1-SS1	Screw, Socket Head Cap, SS	8
37	41181-2	Lock Washer, SS	8
39	213-001-1-DI1	Upper Seal Housing, DI	1
41	320-008-1-BN1	O-ring, Buna	1
42	453-002-1-SS1	Retaining Ring, SS	1
43	250-001-1-XXX	Lower Bearings	2
45	411-003-1-SS1	Screw, Socket Head Cap, SS	10
47	41181-2	Lock Washer, SS	10
49	212-003-1-DI1	Lower Bearing Housing, DI	1
51	320-010-1-BN1	O-ring, Buna	1
52	414-002-1-S1	Plug, Steel	2
53	270-001-1-AL1	Cooling Jacket, AL	1
59	330-001-1-NP2	Discharge Gasket, NP	1
61	160-001-1-SS1	Discharge, 6" threaded, SS	1
61	160-002-1-SS1	Discharge, 8" threaded, SS	-
63	413-003-1-SS1	Stud, SS	6
64	422-001-1-SS1	Lock Washer, SS	6



LIST OF PARTS

Mine Dewatering Pumps SX7500 HH

Drawing Number: DS-A16-041

Rev: 4

Date: 6/23/2020

Position	Stancor Part #	Description	Qty.
65	431-001-1-SS1	Hex Nut, SS	6
66	140-001-1-PL1	Diffuser, PL	1
67	40216	Screw, Socket Head Cap, SS	2
69	40117	Dubo Ring, Nylon	2
71	211-002-1-AL1	Motor Housing, AL	1
72	452-001-1-CSX	Pin, Steel	1
73	240-001-1-XXX	Stator, 2 Pole, 3Ph/460V/60Hz	1
73	240-010-1-XXX	Stator, 2 Pole, 3Ph/575V/60Hz	1
75	230-001-1-XXX	Rotor Assembly, 2 Pole	1
77	250-002-1-XXX	Bearing,	1
79	320-007-1-BN1	O-Ring, Buna	1
81	320-005-1-BN1	O-Ring, Buna	1
82	CB-861 #6	Ground lug, AL	1
83	320-006-1-BN1	O-Ring, Buna	4
84	40104	Split Lock Washer, SS	2
85	40106	Internal Tooth Lock Washer, SS	3
87	224-001-1-SS1	Lifting Lug, SS	2
89	212-002-1-AL1	Upper Bearing Housing, AL	1
90	40217	Screw, Socket Head Cap, SS	2
91	730-001-1-AL2	Mounting Plate, AL	1
92	40117	Dubo Ring, Nylon	10
93	411-004-1-SS1	Screw, Socket Head Cap, SS	10
94	720-001-1-AL3	Ground lug, AL	2
95	320-004-1-BN1	O-Ring, Buna	1
96	222-001-1-AL2	Bearing Cover, AL	1
97	340-001-1-NP1	Grommet Stator Leads, NP	1
98	40209	Screw, Slotted Cheese Head, SS	3
99	710-001-1-XXX	IEC Contactor 460v	1
99	710-002-1-XXX	IEC Contactor 575v	-
100	411-005-1-SS1	Screw, Slot Truss, SS	3
102	434-001-1-ZN1	Tee Nut, Zinc	1
103	40107	Washer, SS	1
104	411-006-1-S1	Screw, Pan Head, Steel	1
105	223-001-1-AL1	Top Cover, SX7600, AL	1
106	40213	Screw, Slotted Cheese Head, SS	4
109	41370-1	Bolt, Hex Head, SS	10
111	640-001-1-SS1	Cable Support Washer, 4/3G-GC, SS	1
112	640-001-1-NY1	Cable Support Washer, 4/3G-GC, NY	1
113	340-002-1-NP2	Grommet Cable Entry, 4/3G-GC, NP	1
117	411-007-1-SS1	Screw, Socket Head Cap, SS	2
118	30813	Data Plate Stancor	1
119	41199	Rivet	8
120	CE-112	Data Plate MSHA	1
120	91110	Data Plate CSA	-

**LIST OF PARTS****Mine Dewatering Pumps SX7500 HH****Drawing Number:** DS-A16-041**Rev:** 4**Date:** 6/23/2020

Position	Stancor Part #	Description	Qty.
121	630-001-1-LE1	Strain Relief Clamp, LX	1
122	411-008-1-SS1	Screw, Socket Head Cap, SS	2
123	620-001-1-SS1	Cable Entry, 4/3G-GC, SS	1
124	CB-817	Lock Wire	2
125	4/3 GGC	Cable, 4/3 G-GC	50FT
126	432-003-1-SS1	Hex Nut, Thin, SS	2
127	360-001-1-ZN1	NILOS RING	2
128	453-004-1-CS1	Retaining Ring	6
129	40208	Screw, SS	1
130	30400	Terminal Block	1
131	721-001-1-XXX	Ring Terminal	4
132	830-002-1-OIL	Oil	7.47qts.
133	750-001-1-CU1	Ferrules	9

CROSS SECTION

Mine Dewatering Pumps SX7500 HH

Drawing Number: DS-A16-042

Rev: 2

Date: 7/15/2016

