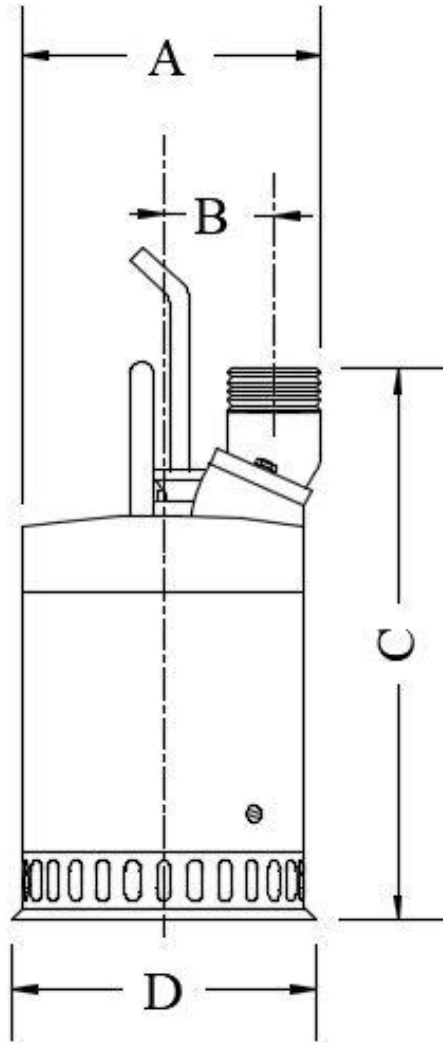


Dimensions

Dewatering Pumps S500 HH & HV

Dwg: DS-A18-009 Rev: 2 Date: 10/18

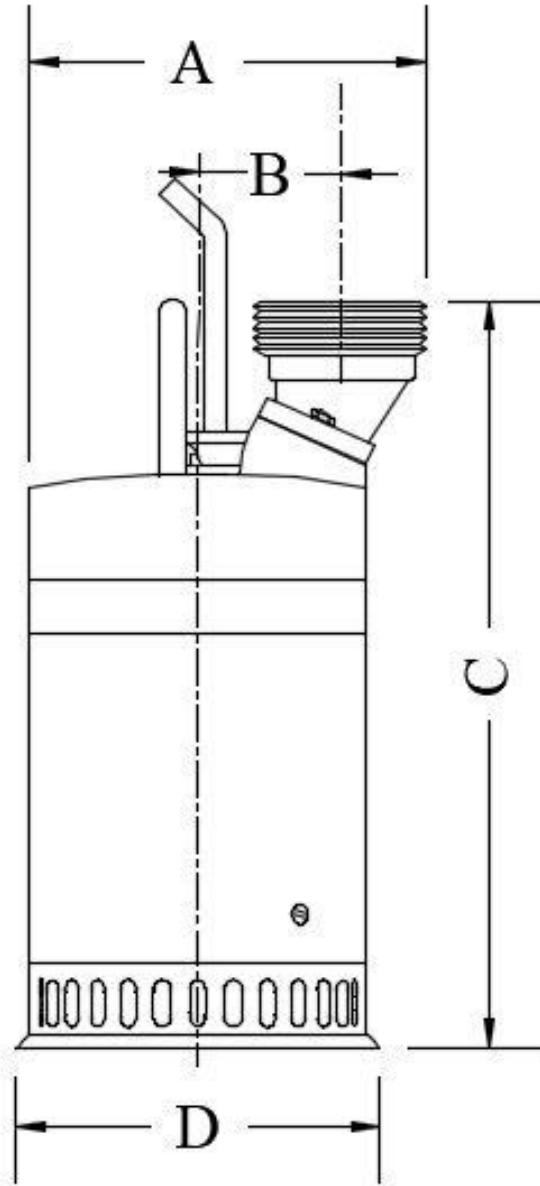


Hydraulic	Discharge Size	A	B	C	D
HH & HV	3" NPT	254mm[10 in]	89mm[3.504in]	517mm[20.354in]	Ø244mm[9.606in]

Specifications subject to change without notice

Industrial Flow Solutions Operating, LLC • 104 John W Murphy Drive, New Haven, CT 06513, USA • (860) 631-3618 • www.flowsolutions.com

Stancor® is a trademark of Industrial Flow Solutions Operating, LLC. All rights reserved.



Hydraulic	Discharge Size	A	B	C	D
HH	3" NPT	241.50mm[9.508in]	89mm[3.504in]	562mm[22.126in]	Ø244mm[9.606in]
HV	4" NPT	241.50mm[9.508in]	91.5mm[3.602in]	636mm[25.039in]	Ø244mm[9.606in]

Specifications subject to change without notice

Industrial Flow Solutions Operating, LLC • 104 John W Murphy Drive, New Haven, CT 06513, USA • (860) 631-3618 • www.flowsolutions.com

Stancor® is a trademark of Industrial Flow Solutions Operating, LLC. All rights reserved.

