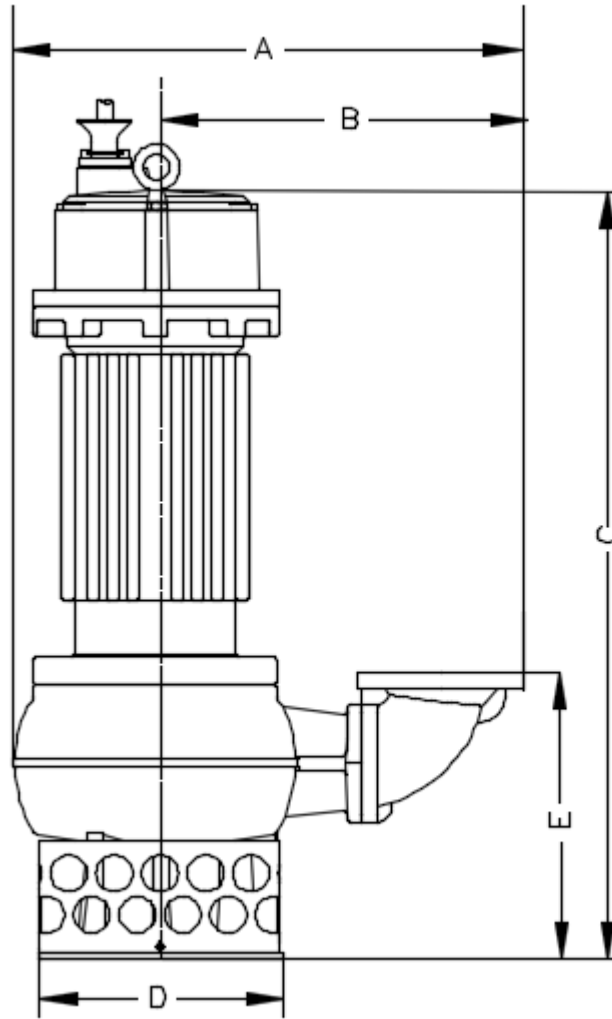
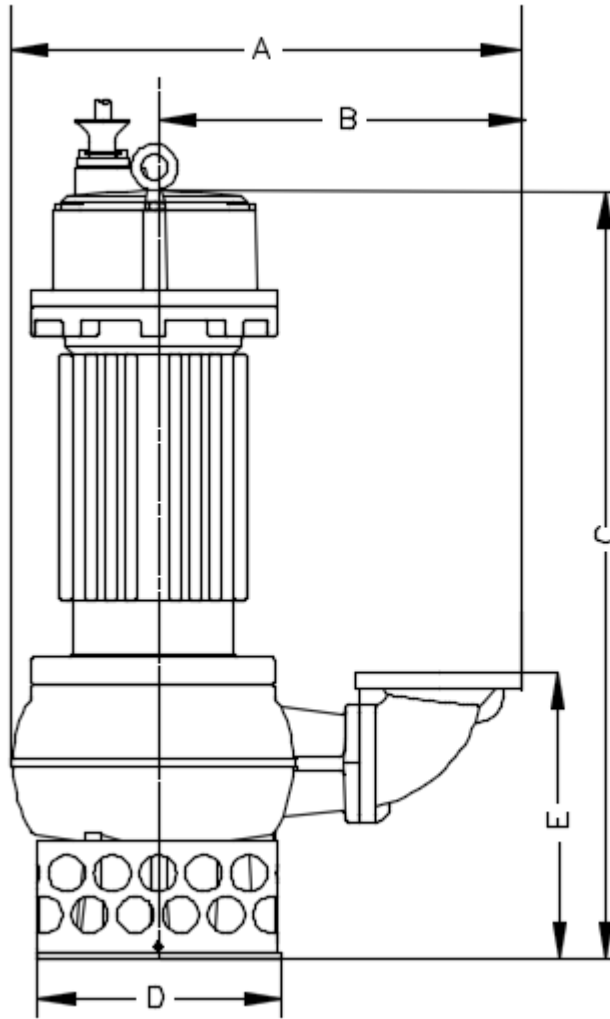


DIMENSIONS**Mine Trash Vortex Pumps SX2000-TS4P**

Dwg: DS-A23-015 Rev: 1 Date: 11/18



Discharge	A	B	C	D	E
4" ANSI Class 125 FF	760mm[29.921in]	452mm[17.795in]	948mm[37.322in]	332mm[13.07in]	430mm[16.929in]



Discharge	A	B	C	D	E
4" ANSI Class 125 FF	760mm[29.921in]	452mm[17.795in]	1053mm[41.457in]	332mm[13.07in]	430mm[16.929in]