



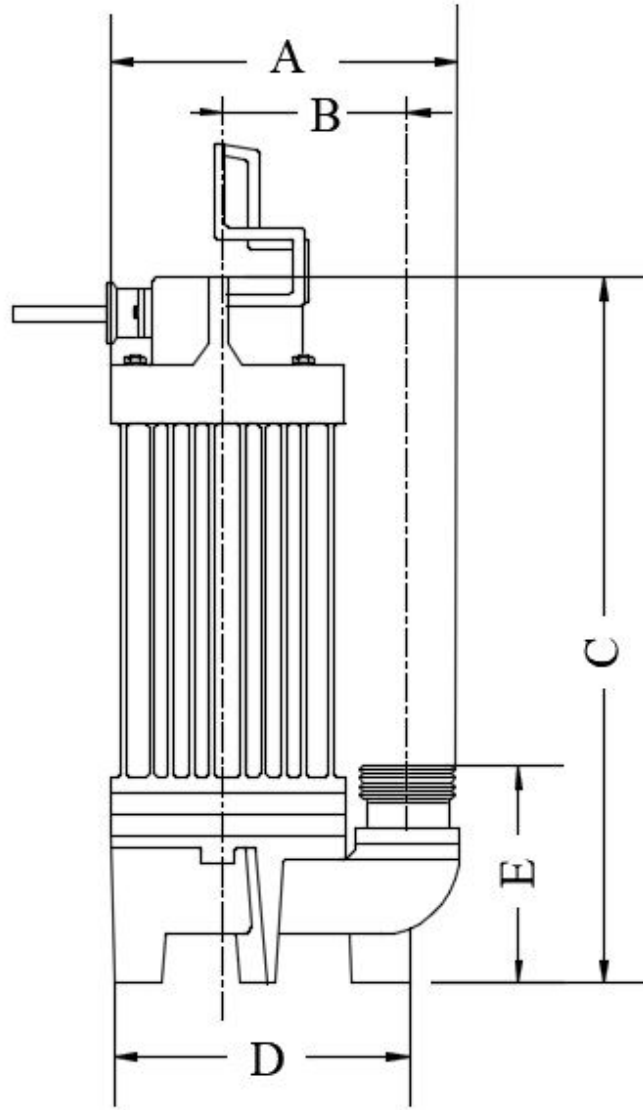




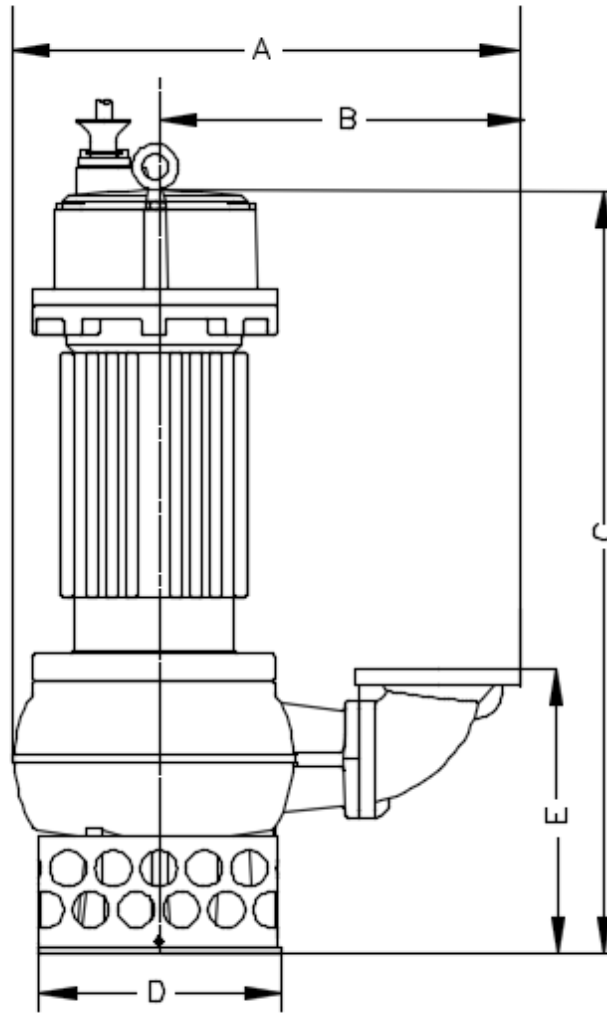
# Dimensions

# Trash Pumps SL1000SS-2

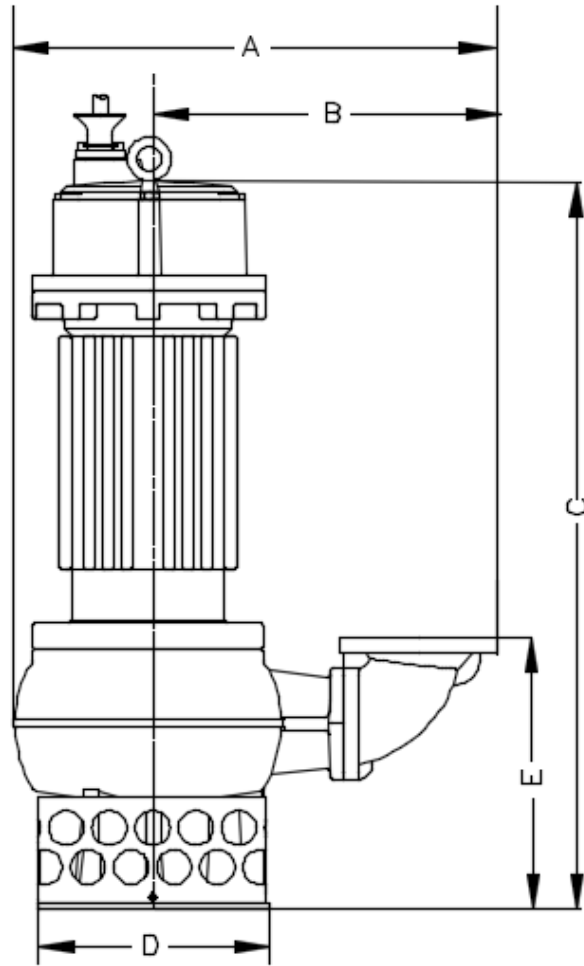
Dwg: DS-A19-027 Rev: - Date: 1/19



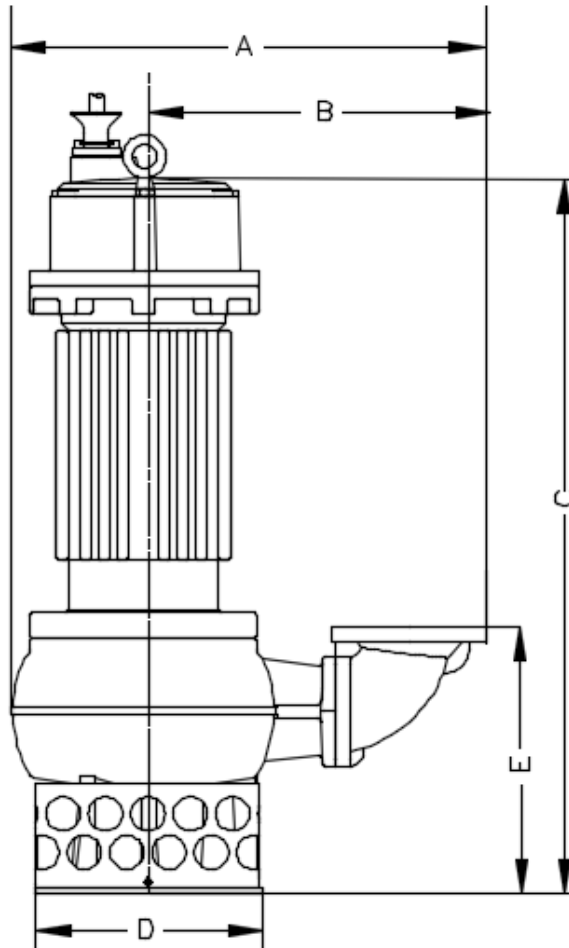
| Discharge Size | A                 | B              | C               | D                 | E              |
|----------------|-------------------|----------------|-----------------|-------------------|----------------|
| 3" NPT         | 323.5mm[12.736in] | 170mm[6.693in] | 690mm[27.165in] | 270.5mm[10.650in] | 252mm[9.921in] |



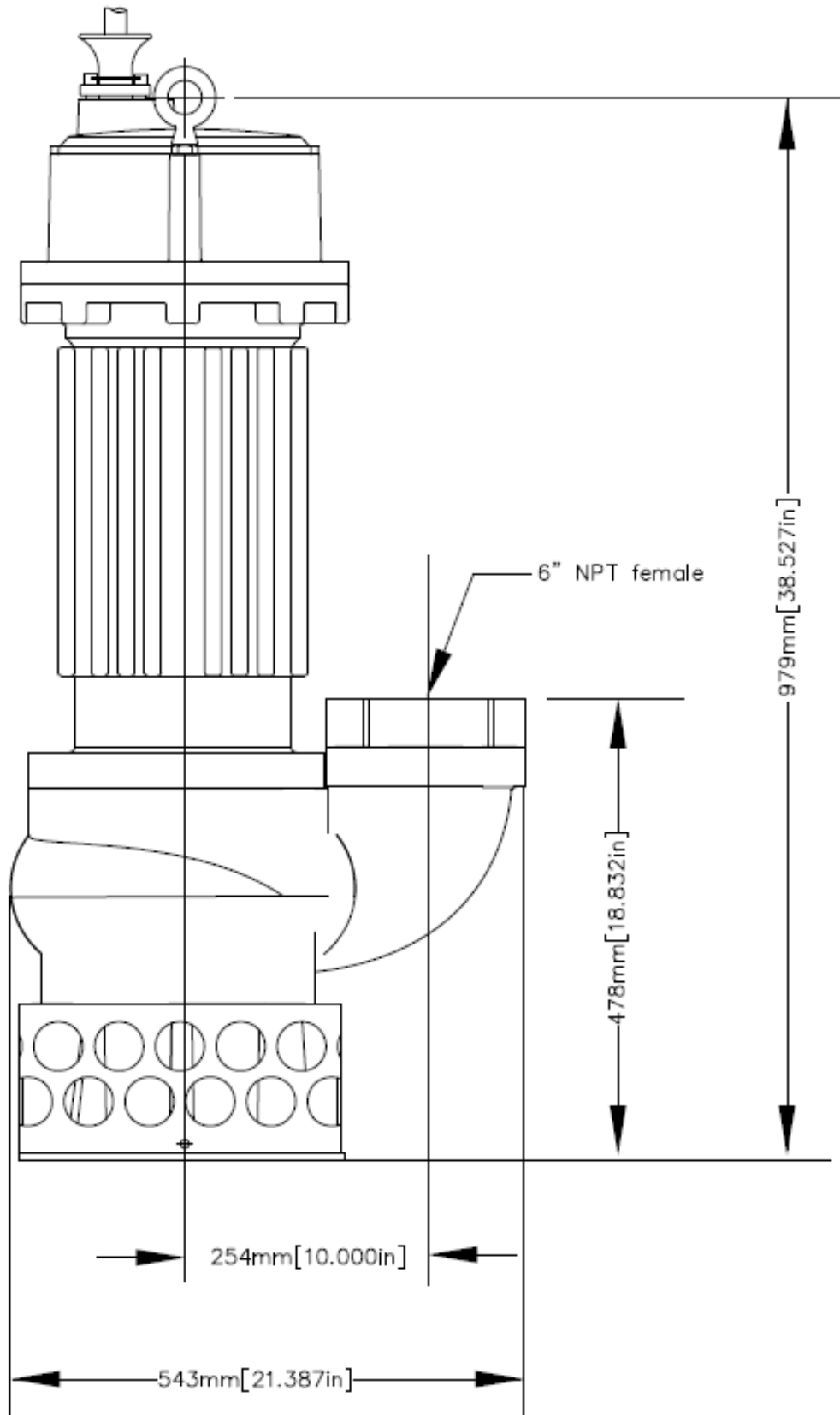
| Discharge            | A               | B               | C               | D              | E               |
|----------------------|-----------------|-----------------|-----------------|----------------|-----------------|
| 4" ANSI Class 125 FF | 760mm[29.921in] | 452mm[17.795in] | 948mm[37.322in] | 332mm[13.07in] | 430mm[16.929in] |



| Discharge            | A               | B               | C               | D              | E               |
|----------------------|-----------------|-----------------|-----------------|----------------|-----------------|
| 4" ANSI Class 125 FF | 760mm[29.921in] | 452mm[17.795in] | 948mm[37.322in] | 332mm[13.07in] | 430mm[16.929in] |



| Discharge            | A               | B               | C                | D              | E               |
|----------------------|-----------------|-----------------|------------------|----------------|-----------------|
| 4" ANSI Class 125 FF | 760mm[29.921in] | 452mm[17.795in] | 1053mm[41.457in] | 332mm[13.07in] | 430mm[16.929in] |



Specifications subject to change without notice