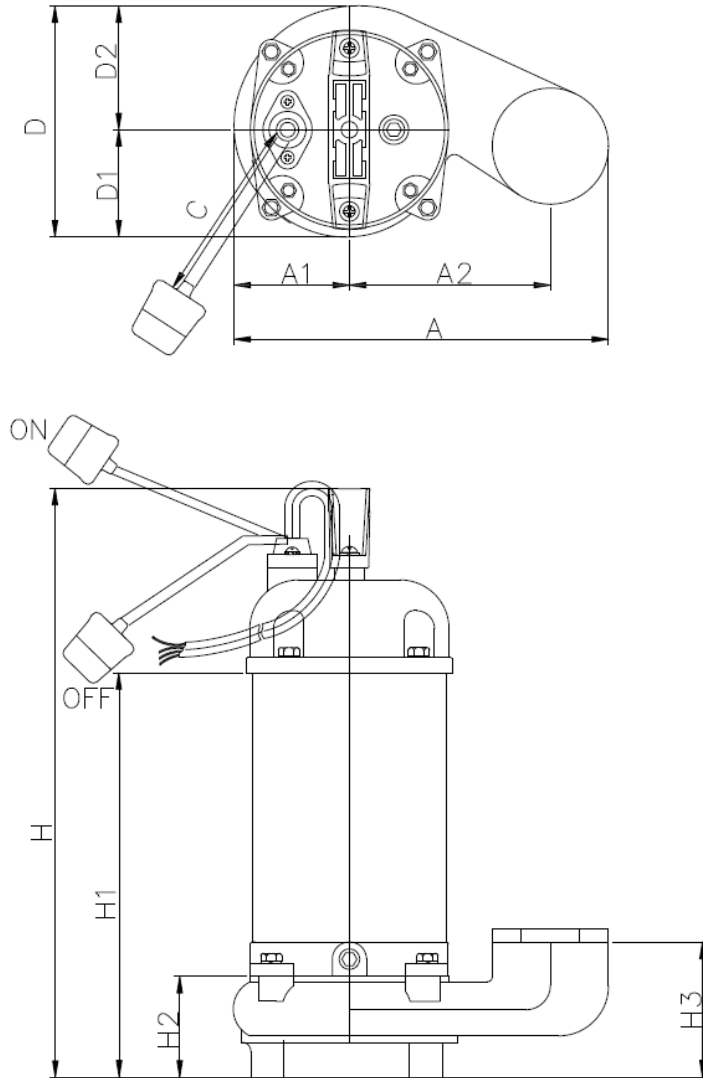


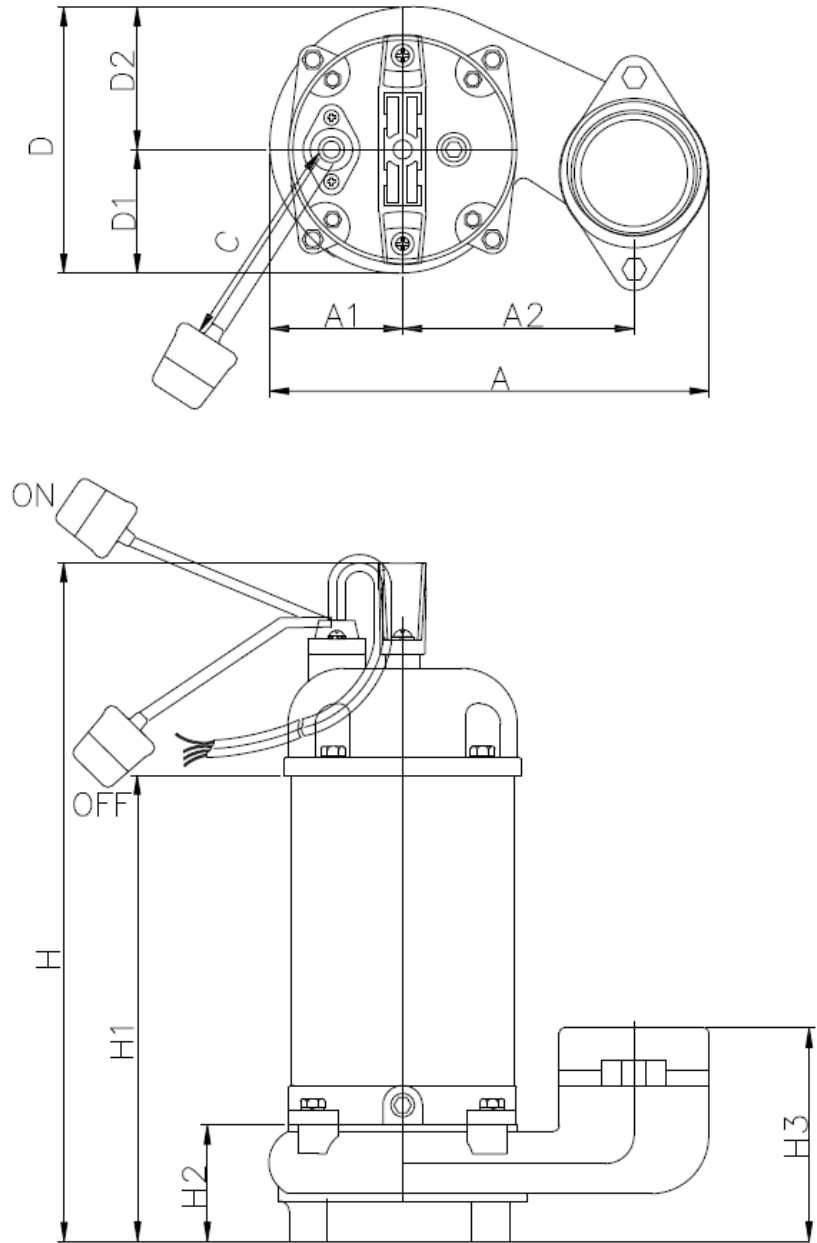
SE-50A



Type	DISCHARGE	A	A1	A2	C	D	D1	D2	H	H1	H2	H3
INCHES	2"	9.09"	2.83"	5.2"	7.75"	5.71"	2.6"	3.07"	16.6"	11.5"	4.33"	4.33"

Specifications subject to change without notice

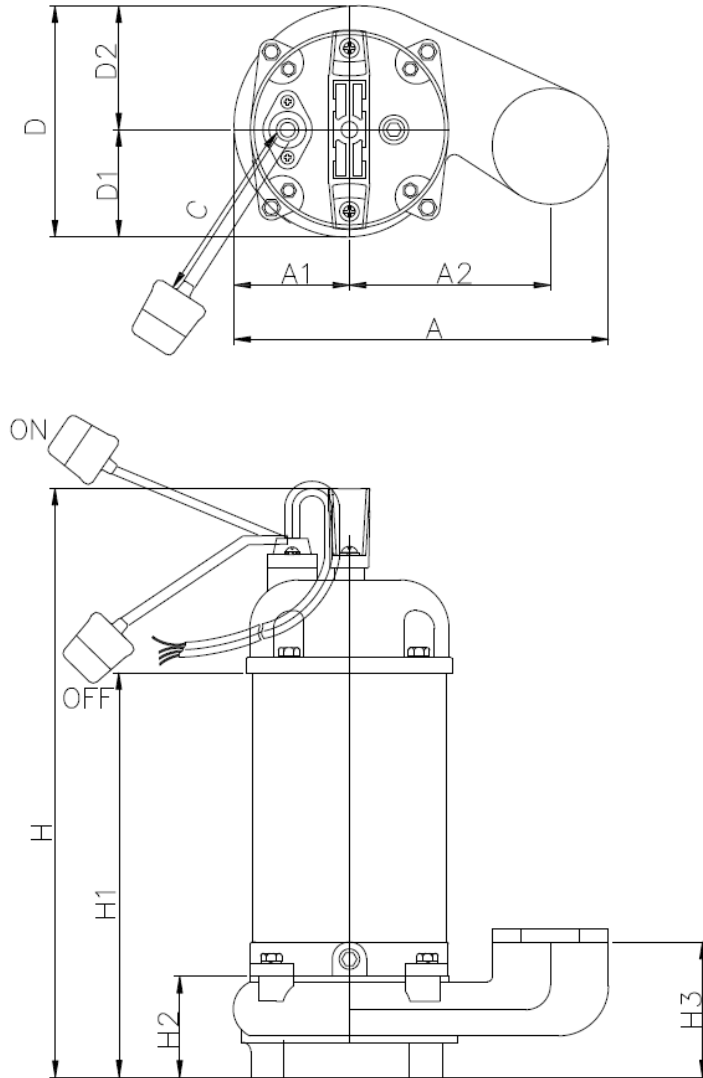
SV-50A



TYPE	DISCHARGE	A	A1	A2	C	D	D1	D2	H	H1	H2	H3
DIMENSIONS	2" NPT female	8.98"	2.87"	6.1"	7.75"	5.91"	2.72"	3.19"	16.2"	11.7"	4.61"	5.43"

Specifications subject to change without notice

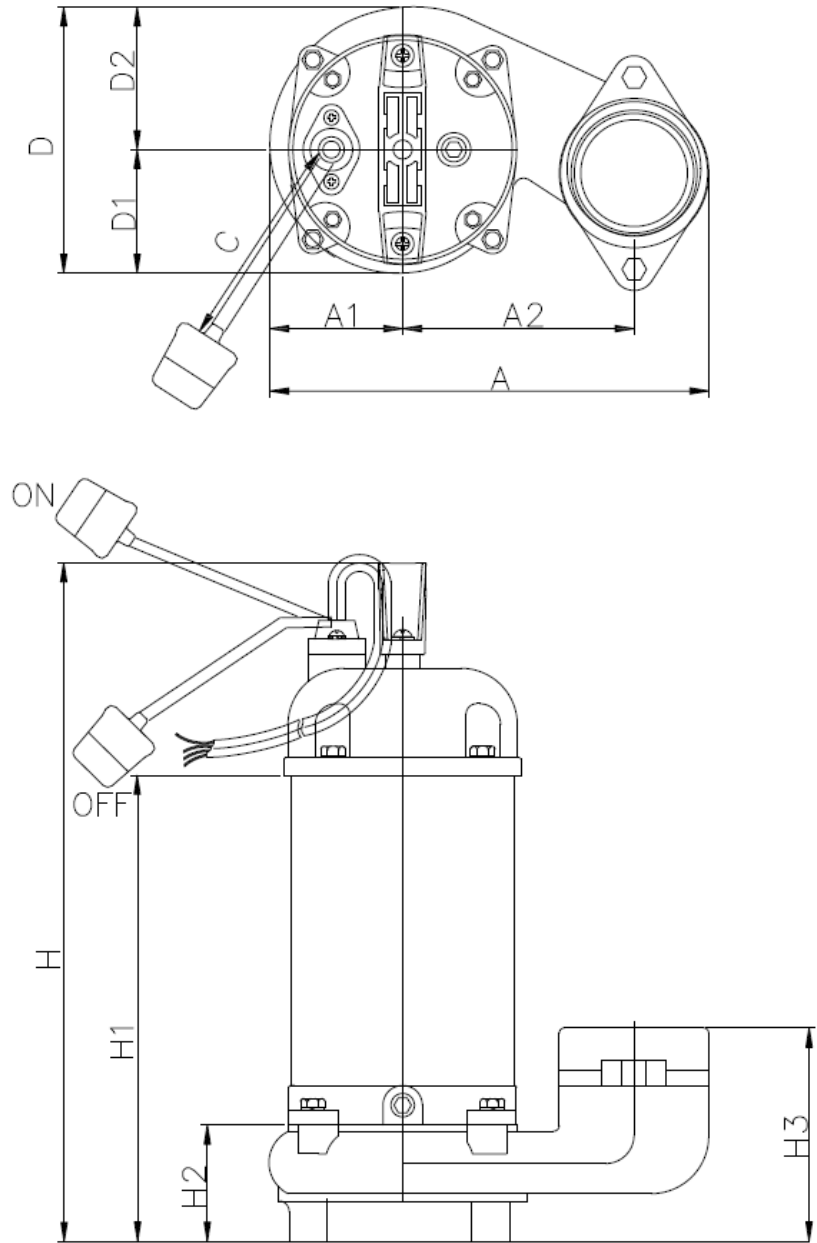
SE-100A



Type	DISCHARGE	A	A1	A2	C	D	D1	D2	H	H1	H2	H3
INCHES	2"	9.09"	2.83"	5.2"	15.5"	5.71"	2.6"	3.07"	19.5"	13.3"	4.33"	4.33"

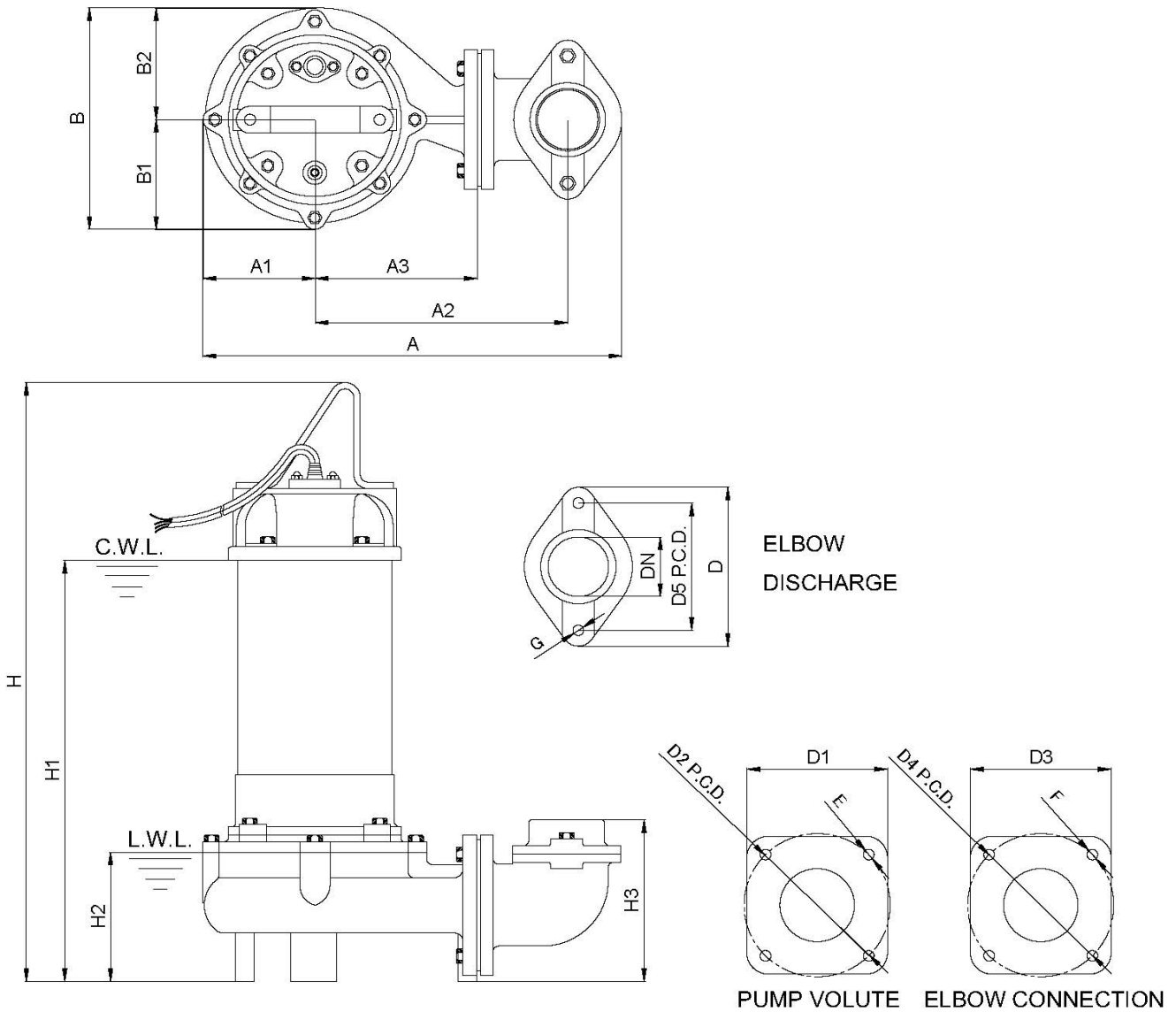
Specifications subject to change without notice

SV-100A



TYPE	DISCHARGE	A	A1	A2	C	D	D1	D2	H	H1	H2	H3
DIMENSIONS	2" NPT female	8.98"	2.87"	6.1"	15.5"	5.91"	2.72"	3.19"	19.2"	13.6"	4.61"	5.43"

Specifications subject to change without notice



DIMENSIONS - INCH

WEIGHT: lb

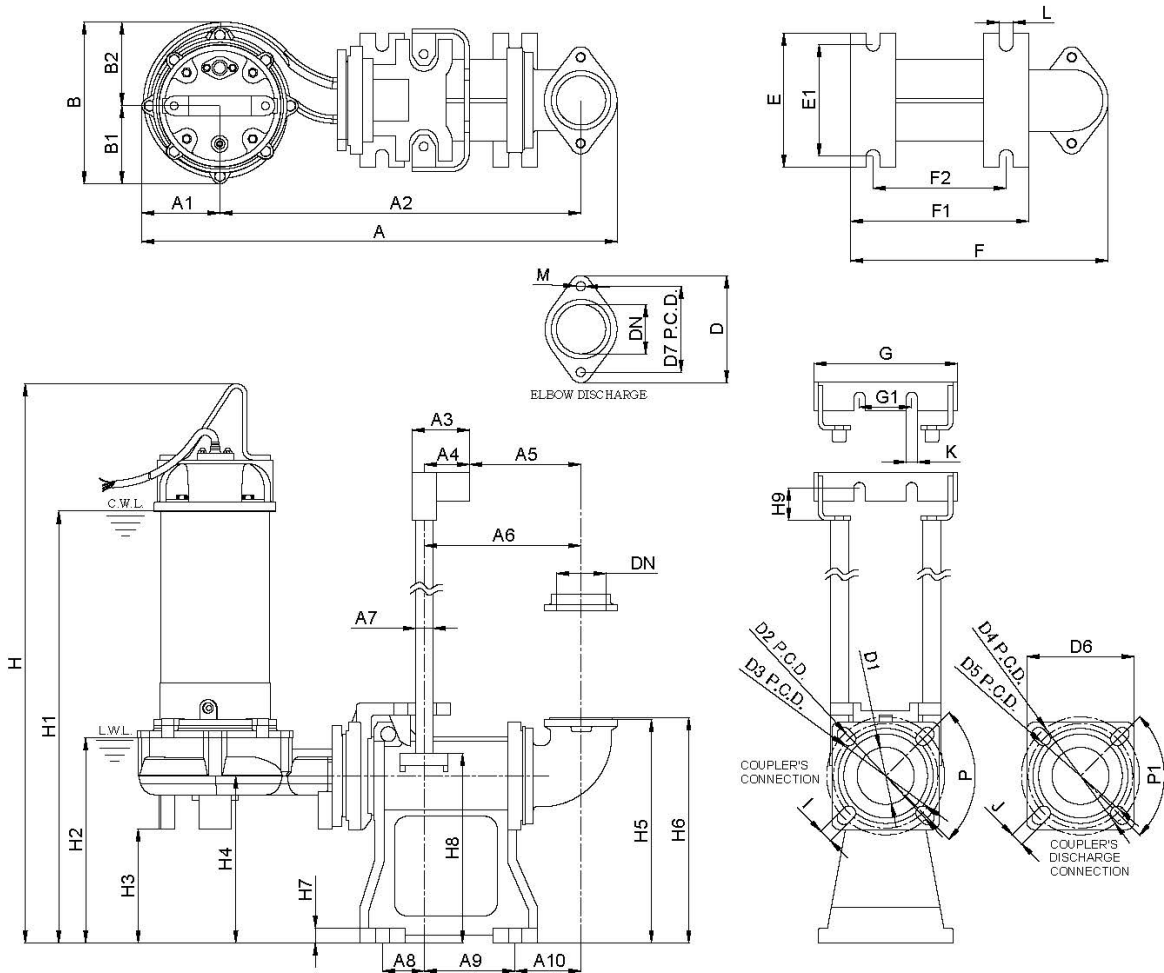
MODEL	A	A1	A2	A3	B	B1	B2	D	D1	D2	D3	D4	D5	DN	E	F	G	H	H1	H2	H3	WT
SV-200	15.35	4.06	9.25	5.94	8.27	4.13	4.13	5.91	5.12	5.31	5.12	5.31	4.72	2	0.47	M10	M8	20.94	15.75	5.91	5.98	76.34
SV-200	15.35	4.06	9.25	5.94	8.27	4.13	4.13	5.91	5.12	5.31	5.12	5.31	4.72	3	0.47	M10	M8	20.94	15.75	5.91	5.98	76.34
SV-300	15.35	4.06	9.25	5.94	8.27	4.13	4.13	5.91	5.12	5.31	5.12	5.31	4.72	2	0.47	M10	M8	21.73	16.54	5.91	5.98	78.76
SV-300	15.35	4.06	9.25	5.94	8.27	4.13	4.13	5.91	5.12	5.31	5.12	5.31	4.72	3	0.47	M10	M8	21.73	16.54	5.91	5.98	78.76

C.W.L.: Continuous Running Water Level

WT: Pump Weight

L.W.L.: Lowest Running Water Level

Specifications subject to change without notice



DIMENSIONS -INCH

WEIGHT: lb

MODEL	A	A1	A2	A3	A4	A5	A6	A7	A8	A9	A10	B	B1	B2	D	D1	D2	D3	D4	D5	D6	D7	DN	P	P1
SV-200	24.41	4.13	17.99	3.15	2.36	6.06	8.43	1	2.24	4.84	3.62	8.27	4.13	4.13	5.91	2.91	6.10	5.31	6.10	5.31	5.51	4.72	2	90°	90°
SV-200	24.41	4.13	17.99	3.15	2.36	6.06	8.43	1	2.24	4.84	3.62	8.27	4.13	4.13	5.91	2.91	6.10	5.31	6.10	5.31	5.51	4.72	3	90°	90°
SV-300	24.41	4.13	17.99	3.15	2.36	6.06	8.43	1	2.24	4.84	3.62	8.27	4.13	4.13	5.91	2.91	6.10	5.31	6.10	5.31	5.51	4.72	2	90°	90°
SV-300	24.41	4.13	17.99	3.15	2.36	6.06	8.43	1	2.24	4.84	3.62	8.27	4.13	4.13	5.91	2.91	6.10	5.31	6.10	5.31	5.51	4.72	3	90°	90°

MODEL	E	E1	F	F1	F2	G	G1	H	H1	H2	H3	H4	H5	H6	H7	H8	H9	I	J	K	L	M	WT	WT1
SV-200	7.09	5.91	13.78	9.45	7.09	7.52	2.76	28.15	21.46	10.43	5.28	7.95	9.92	10	0.79	8.07	0.87	0.71	0.71	0.59	0.71	0.47	76.34	30.58
SV-200	7.09	5.91	13.78	9.45	7.09	7.52	2.76	28.15	21.46	10.43	5.28	7.95	9.92	10	0.79	8.07	0.87	0.71	0.71	0.59	0.71	0.47	76.34	30.58
SV-300	7.09	5.91	13.78	9.45	7.09	7.52	2.76	28.94	22.24	10.43	5.28	7.95	9.92	10	0.79	8.07	0.87	0.71	0.71	0.59	0.71	0.47	78.76	30.58
SV-300	7.09	5.91	13.78	9.45	7.09	7.52	2.76	28.94	22.24	10.43	5.28	7.95	9.92	10	0.79	8.07	0.87	0.71	0.71	0.59	0.71	0.47	78.76	30.58

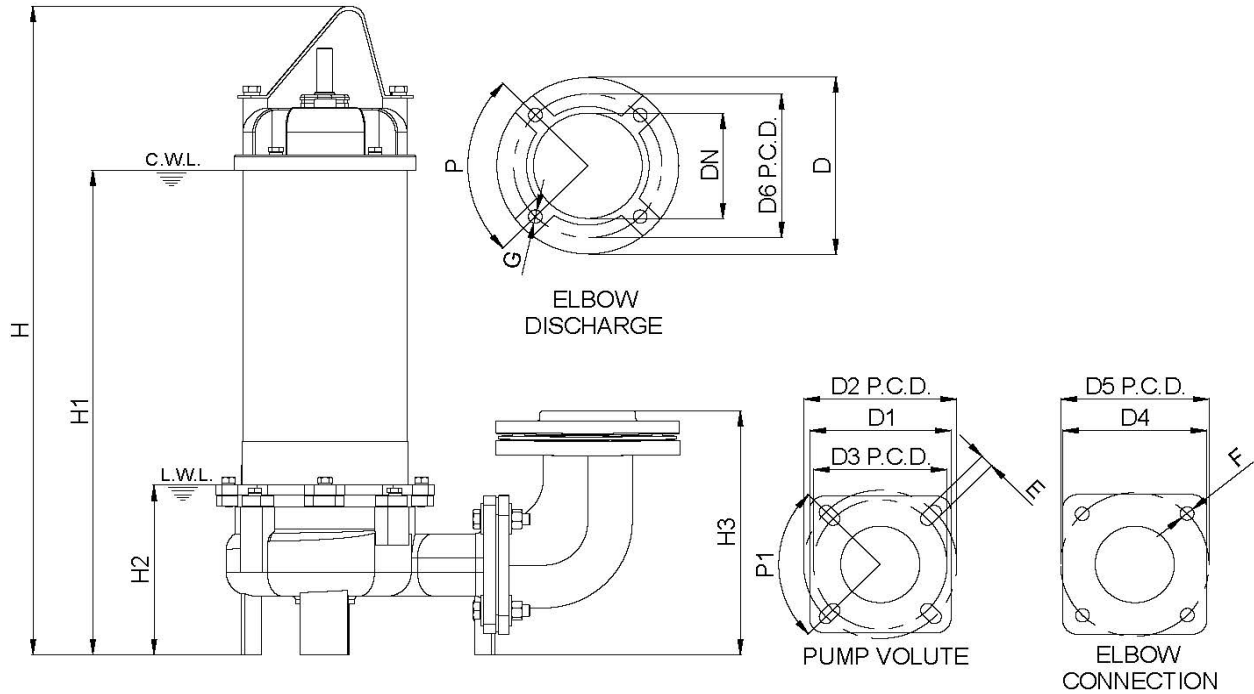
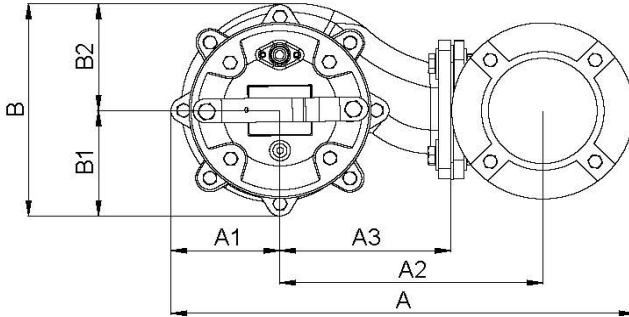
C.W.L.:Continuous Running Water Level

WT: Pump Weight

L.W.L.:Lowest Running Water Level

WT1: QDC Weight

Specifications subject to change without notice



DIMENSIONS - INCH

WEIGHT: lb

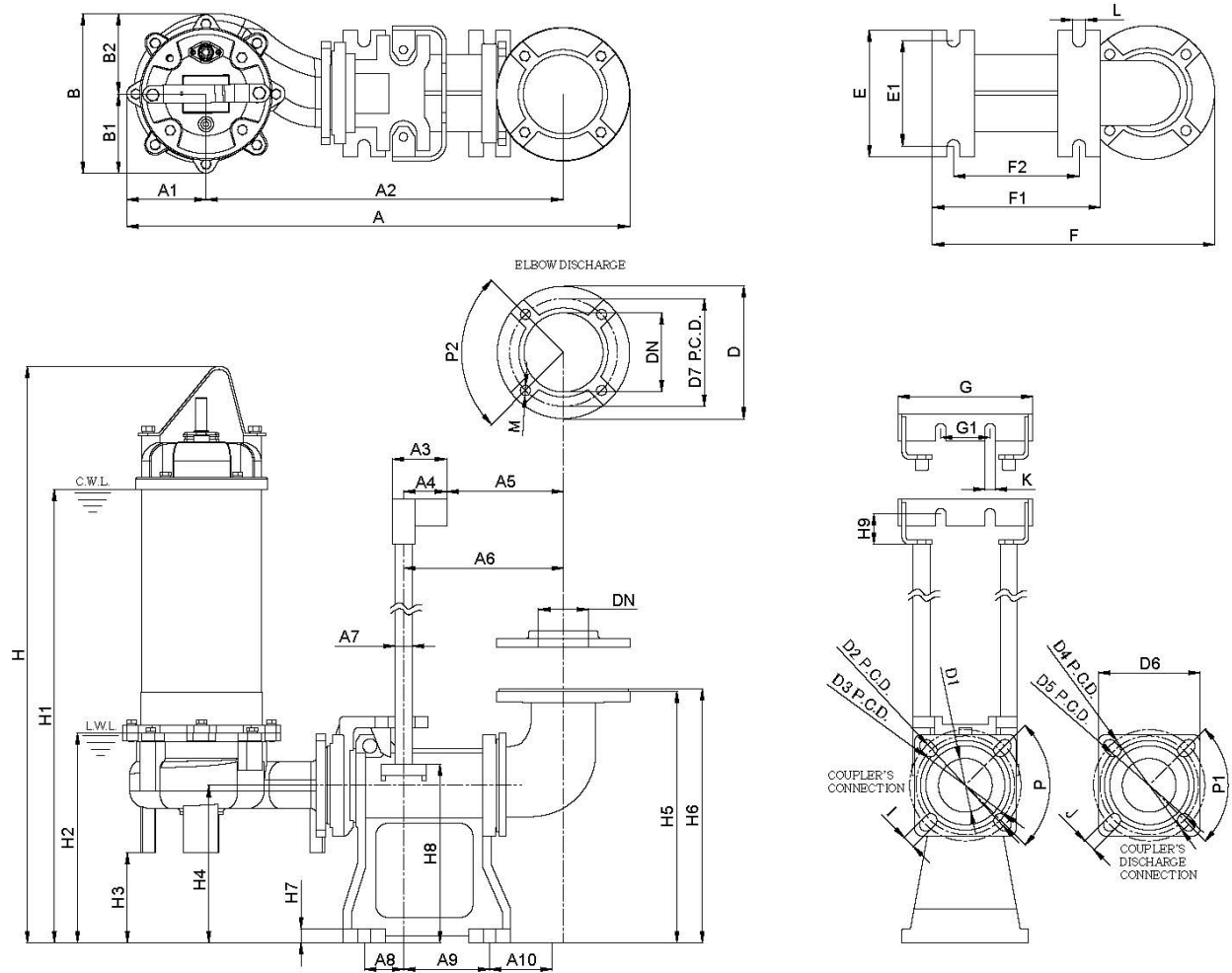
MODEL	A	A1	A2	A3	B	B1	B2	D	D1	D2	D3	D4	D5	D6	DN	E	F	G	P	P1	H	H1	H2	H3	WT
SV-500	18.50	4.33	10.12	6.69	8.58	3.86	4.72	7.24	5.75	6.10	5.31	5.75	5.91	5.91	3	0.51	M12	0.55	90°	90°	24.92	18.43	6.30	9.41	123.2
SV-500	18.50	4.33	10.12	6.69	8.58	3.86	4.72	7.24	5.75	6.10	5.31	5.75	5.91	5.91	4	0.51	M12	0.55	90°	90°	24.92	18.43	6.30	9.21	123.2
SV-750	18.50	4.33	10.12	6.69	8.58	3.86	4.72	7.24	5.75	6.10	5.31	5.75	5.91	5.91	3	0.51	M12	0.55	90°	90°	26.50	20.00	6.30	9.41	136.4
SV-750	18.50	4.33	10.12	6.69	8.58	3.86	4.72	7.24	5.75	6.10	5.31	5.75	5.91	5.91	4	0.51	M12	0.55	90°	90°	26.50	20.00	6.30	9.21	136.4

C.W.L.:Continuous Running Water Level

WT: Pump Weight

L.W.L.:Lowest Running Water Level

Specifications subject to change without notice



DIMENSIONS -INCH

WEIGHT: lb

MODEL	A	A1	A2	A3	A4	A5	A6	A7	A8	A9	A10	B	B1	B2	D	D1	D2	D3	D4	D5	D6	D7	DN	P
SV-500	27.56	4.33	23.90	3.15	2.36	6.34	8.70	1	2.24	4.84	3.86	8.58	3.86	4.72	7.24	2.91	6.10	5.31	6.10	5.31	5.51	5.91	3	90°
SV-500	27.56	4.33	23.90	3.15	2.36	6.34	8.70	1	2.24	4.84	3.86	8.58	3.86	4.72	7.24	2.91	6.10	5.31	6.10	5.31	5.51	5.91	4	90°
SV-750	27.56	4.33	23.90	3.15	2.36	6.34	8.70	1	2.24	4.84	3.86	8.58	3.86	4.72	7.24	2.91	6.10	5.31	6.10	5.31	5.51	5.91	3	90°
SV-750	27.56	4.33	23.90	3.15	2.36	6.34	8.70	1	2.24	4.84	3.86	8.58	3.86	4.72	7.24	2.91	6.10	5.31	6.10	5.31	5.51	5.91	4	90°

MODEL	P1	P2	E	E1	F	F1	F2	G	G1	H	H1	H2	H3	H4	H5	H6	H7	H8	H9	I	J	K	L	M	WT	WT1
SV-500	90°	90°	7.09	5.91	13.78	9.45	7.09	7.52	2.76	30.51	23.50	11.10	4.33	7.95	12.36	12.42	0.79	8.07	0.87	0.71	0.71	0.59	0.71	0.55	123.2	30.58
SV-500	90°	90°	7.09	5.91	13.78	9.45	7.09	7.52	2.76	30.51	23.50	11.10	4.33	7.95	12.36	12.42	0.79	8.07	0.87	0.71	0.71	0.59	0.71	0.55	123.2	30.58
SV-750	90°	90°	7.09	5.91	13.78	9.45	7.09	7.52	2.76	32.09	25.08	11.10	4.33	7.95	12.36	12.42	0.79	8.07	0.87	0.71	0.71	0.59	0.71	0.55	136.4	30.58
SV-750	90°	90°	7.09	5.91	13.78	9.45	7.09	7.52	2.76	32.09	25.08	11.10	4.33	7.95	12.36	12.42	0.79	8.07	0.87	0.71	0.71	0.59	0.71	0.55	136.4	30.58

C.W.L.:Continuous Running Water Level

WT: Pump Weight

L.W.L.:Lowest Running Water Level

WT1: QDC Weight

Specifications subject to change without notice