

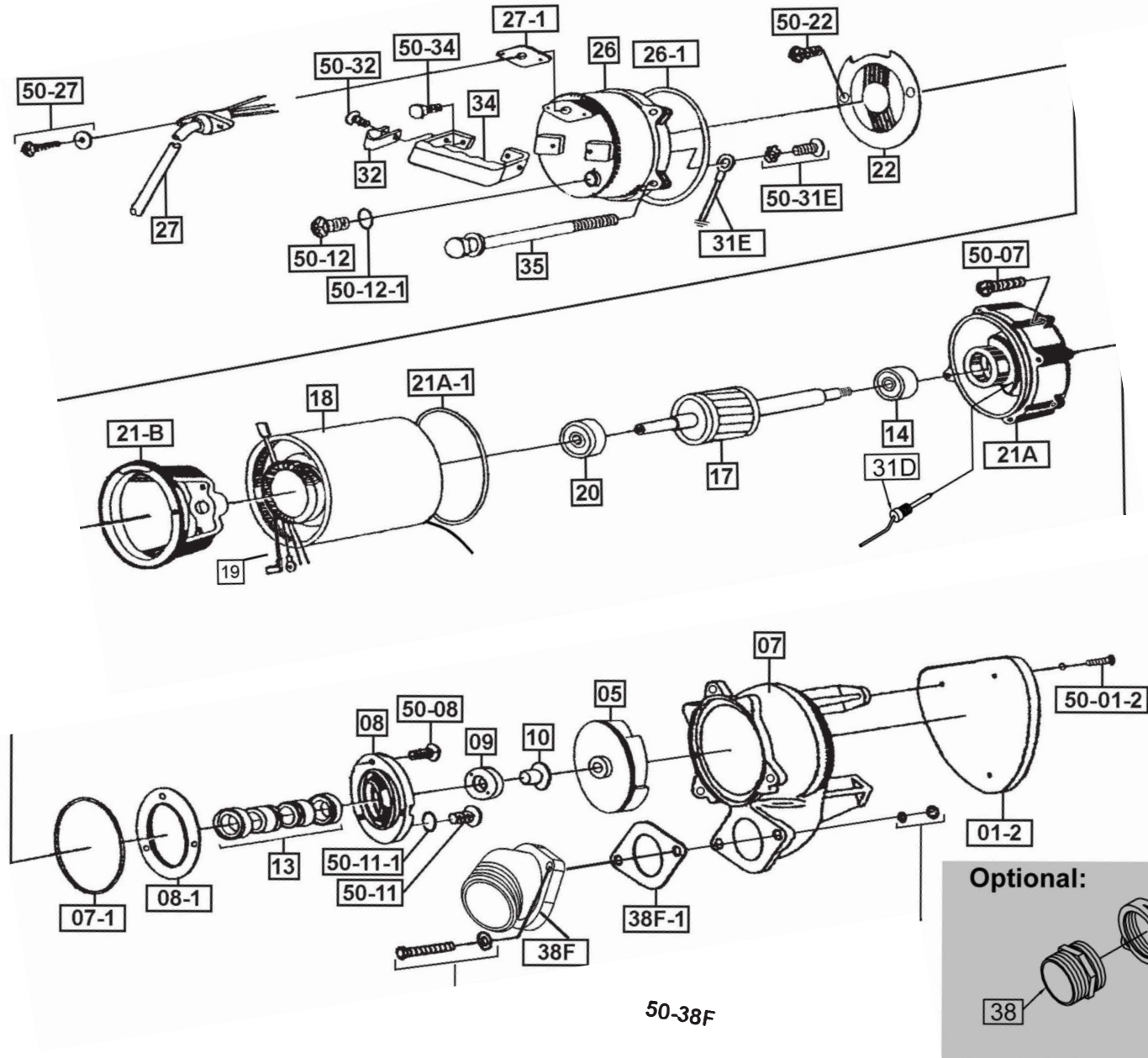
SVF HT SINGLE PHASE SERIES

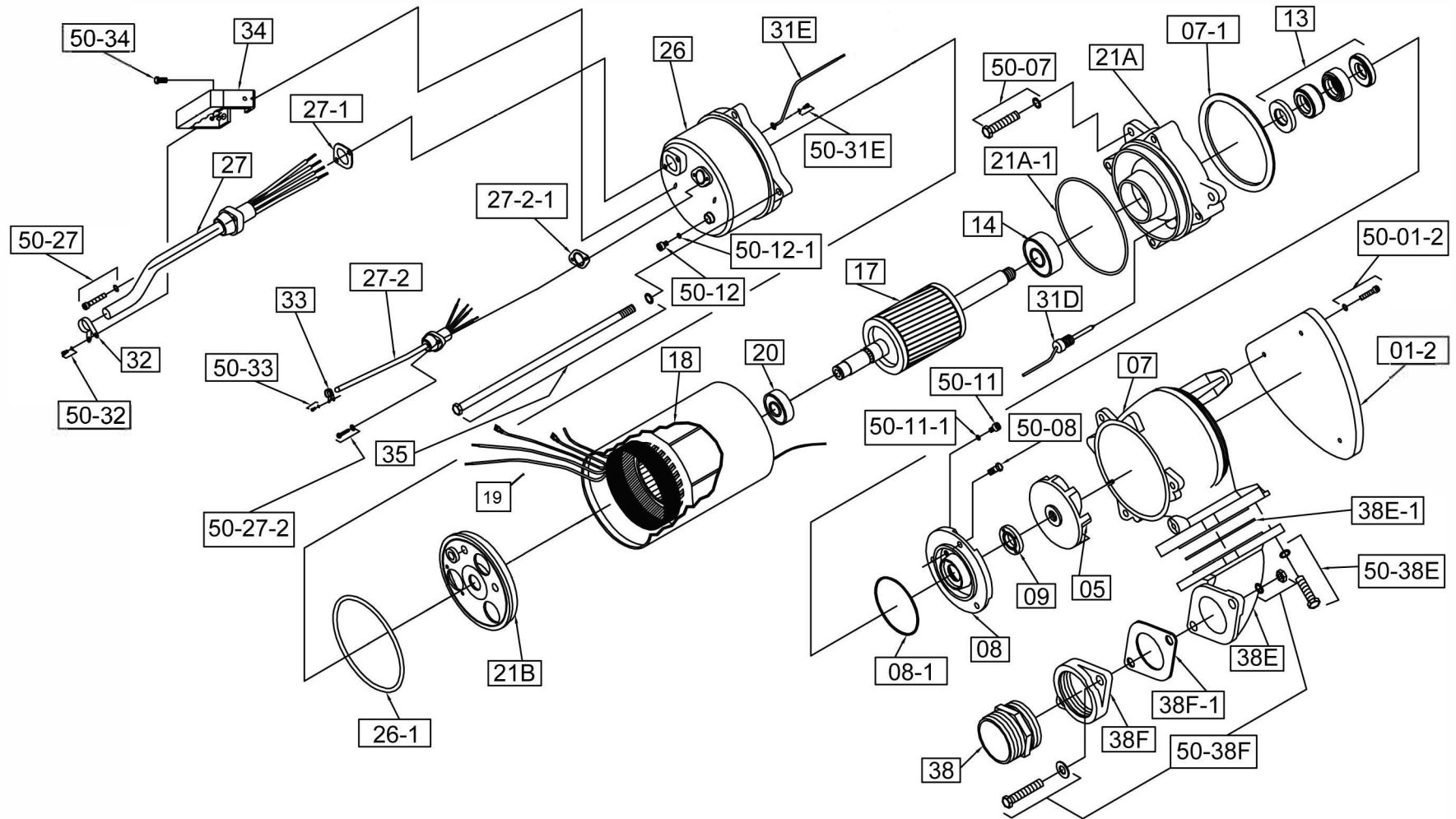
Pos. No.	Part Description	Pump Model	SV400F	SV750CF	SV1500CF
		Item #	Item #	Item #	
01-2	Bottom Plate	202868	202037	202035	
05	Impeller Vortex	202114	202115	202116	
07	Pump Housing w/ Bottom Plate	202185	203016	202187	
07-1	O-Ring (Kit Only)	Kit	Kit	Kit	
08	Oil Chamber Cover	202207	203045	202211	
08-1	O-Ring (Kit Only)	Kit	Kit	Kit	
09	Lip Seal FKM	202230	202233	202233	
10	Shaft Sleeve	202258	-	-	
13	Mechanical Seal FKM	202260	204240	204240	
14	Lower Ball Bearing	200493	200958	200958	
17	Rotor w/ Shaft 115/ 230V, 1 PH	202302	204060	-	
17	Rotor w/ Shaft 230V, 1 PH	-	-	204109	
18	Stator Coil w/ Casing 115V, 1PH (High-Temp)	201032	201036	-	
18	Stator Coil w/ Casing 230V, 1PH (High-Temp)	201033	201037	201040	
19	Wire Connection Kit*	204204	204211	204211	
20	Upper Ball Bearing	200957	200967	200967	
21A	Oil Chamber Housing	202796	203018	203019	
21A-1	O-Ring (Kit Only)	Kit	Kit	Kit	
21B	Motor Cover Upper	202365	202368	202368	
22	Motor Cover Plate	202380	-	-	
26	Pump Top Cover	203120	202433	202433	
26-1	O-Ring (Kit Only)	Kit	Kit	Kit	
27	Power Cable w/ Gland-115V,1PH (High-Temp)	204457	204454	-	
27	Power Cable w/ Gland-230V, 1PH (High-Temp)	204457	204456	204454	
27-1	O-Ring (Kit Only)	Kit	Kit	Kit	
27-2	Seal Minder Cable (High-Temp)	-	204455	204455	
27-2-1	O-Ring (Kit Only)	-	Kit	Kit	
31D	Seal Minder Probe	202409	202409	202409	
31E	Ground Wire w/ Ring Term.	203145	203145	203145	

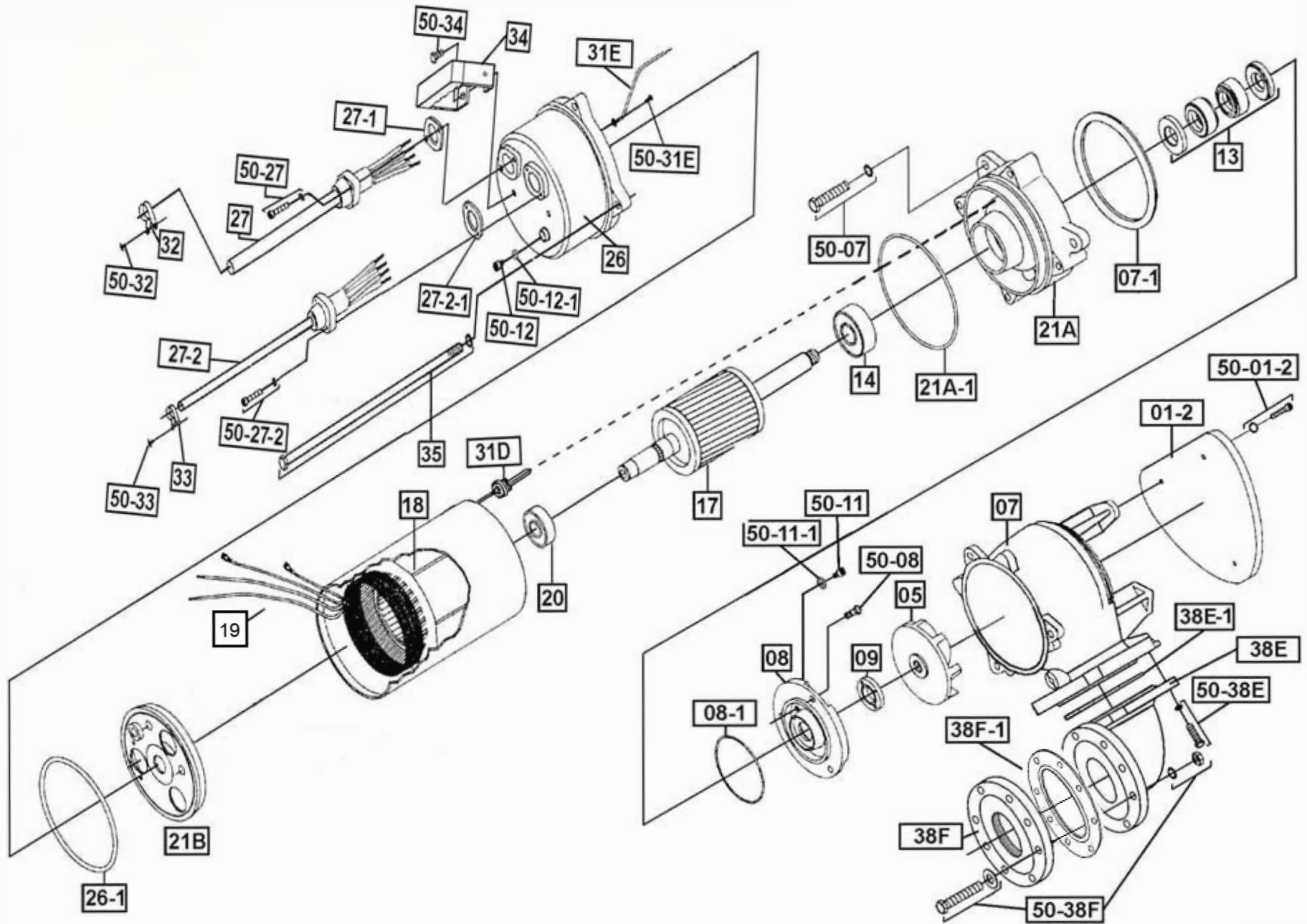
****F" Series High Temperature Pumps Only**

SVF HT SINGLE PHASE SERIES

	Pump Model	SV400F	SV750CF	SV1500CF
Pos. No.	Part Description	Item #	Item #	Item #
32	Power Cord Line Clip	203161	203161	203161
33	Seal Minder Cable Line Clip	-	203163	203163
34	Handle	202517	202517	202517
35	Rods Bolts	202665	202666	202668
38	Discharge Nipple 2"	202531	202531	-
38	Discharge Nipple 3"	-	202534	-
38E	Discharge Elbow	-	202558	202557
38E-1	Gasket, Disch. Elbow, FKM	-	203209	203209
38F	Discharge Flange 2", 45°	202569	-	-
38F	Discharge Flange 2"	202562	202543	-
38F	Discharge Flange 3"	-	202545	203188
38F	Discharge Flange 4"	-	-	202606
38F	Discharge Connection, 4" FNPT	-	202552	-
38F-1	Gasket, Disch. Flange, FKM	203207	202660	201565
50-01-2	Screw for Bottom Plate	203216	203216	203216
50-07	Screw for Pump Housing	203238	203283	203283
50-08	Screw for Oil Chamber Cover	203215	203219	203219
50-11	Screw for Oil Fill	203218	203218	203218
50-11-1	O-Ring (Kit Only)	Kit	Kit	Kit
50-12	Screw for Pressure Check	203218	203218	203218
50-12-1	O-Ring (Kit Only)	Kit	Kit	Kit
50-22	Screw for Cover Plate	203214	-	-
50-27	Screw for Power Cord	203295	203216	203216
50-27-2	Screw for Seal Minder Cable	-	203216	203216
50-31E	Screw for Ground Wire	202692	202692	202692
50-32	Screw for Line Clip	203214	203214	203214
50-33	Screw for Line Clip	-	203214	203214
50-34	Bolt for Handle	203219	203219	203219
50-38E	Bolt for Discharge Elbow	-	203267	203267
50-38F	Bolt for Discharge Flange	203230	203253	203277
	O-Ring Kit - FKM	202777	202798	202798







SVF HT TEMP SERIES

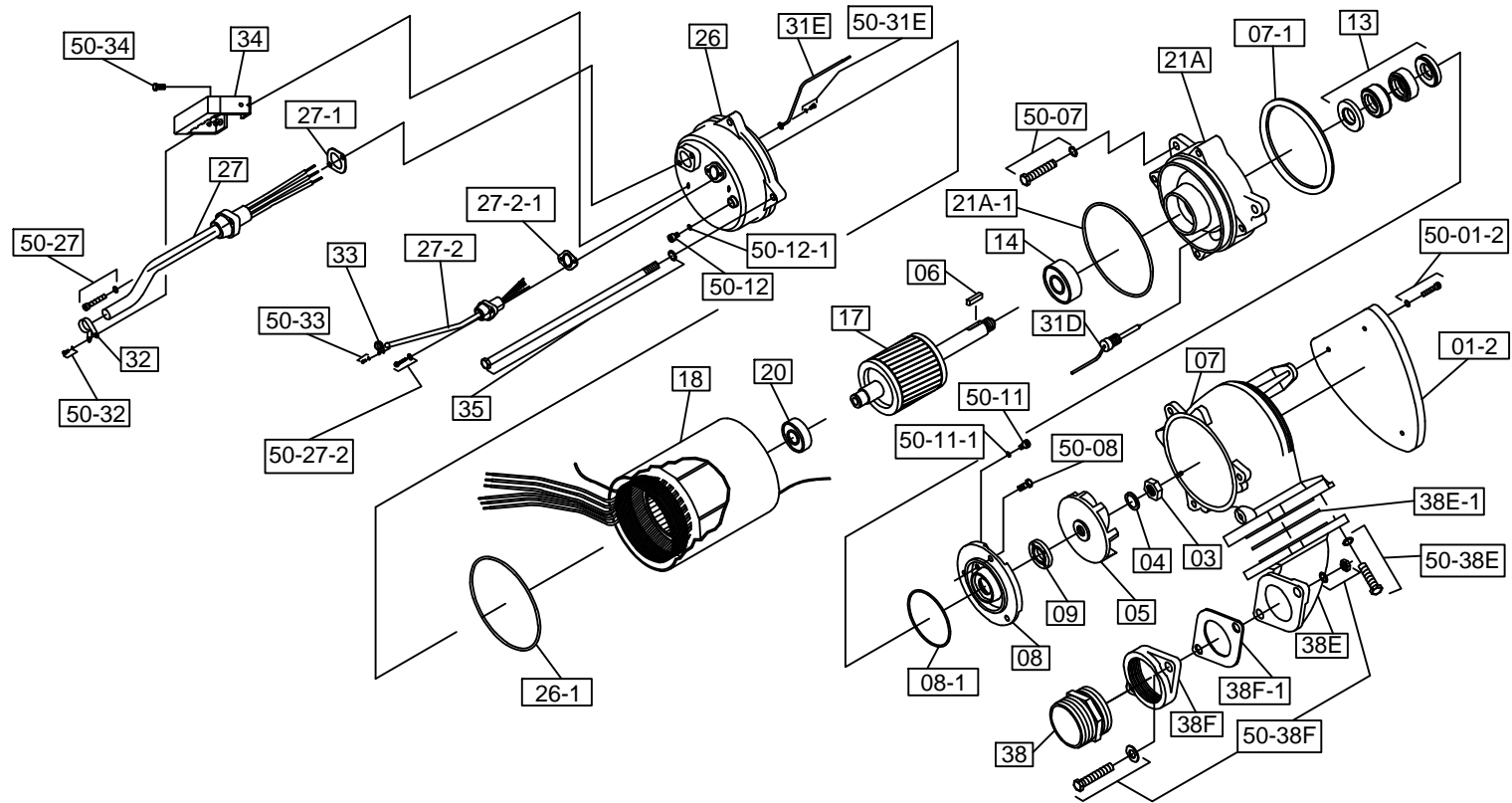
	Pump Model	SV08CF	SV15CF	SV22CF	SV37CF	SV55CF	SV75C
Pos. No.	Part Description	Item #	Item #	Item #	Item #	Item #	Item #
01-2	Bottom Plate	202037	202035	201018	201018	202036	202036
03	Impeller Nut	202894	202894	202894	202894	202895	202895
04	Washer	202907	202907	202907	202907	202904	202904
05	Impeller Vortex	202118	202119	202120	202121	202129	202130
06	Impeller Key	202140	202140	202140	202140	202141	202141
07	Pump Housing w/ Bottom Plate	203016	202187	202188	202188	203023	203023
07-1	O-Ring (Kit Only)	Kit	Kit	Kit	Kit	-	-
08	Oil Chamber Cover	203045	202211	203046	203046	203048	203048
08-1	O-Ring (Kit Only)	Kit	Kit	Kit	Kit	Kit	Kit
09	Lip Seal FKM	202233	202233	204389	204389	204390	204390
10	Shaft Sleeve	-	-	-	-	-	-
12	Lip Seal FKM	-	-	-	-	-	-
13	Mechanical Seal FKM**	204240	204240	204243	204243	200304	200304
14	Lower Ball Bearing	200958	200958	200959	200959	200961	200961
14-1	Lower Ball Bearing	-	-	-	-	200961	200961
14-2	Lower Bearing Retainer	-	-	-	-	202279	202279
17	Rotor w/ Shaft, 3PH	204015	204016	204475	204472	204717	204718
18	Stator w/ Casing 208, 3PH	200525	200529	200541	200543	-	-
18	Stator w/ Casing 230/460V, 3PH	200547	200551	200615	200621	200652	200654
18	Stator w/ Casing 575V, 3PH	200589	200593	200648	200650	200656	200658
20	Upper Ball Bearing	200967	200967	200958	200958	200959	200959
20-1	O-Ring (Kit Only)	-	-	-	-	Kit	Kit
21A	Oil Chamber Housing	203018	203019	203020	203020	203021	203021
21A-1	O-Ring (Kit Only)	Kit	Kit	Kit	Kit	Kit	Kit
21B	Motor Cover Upper	-	-	-	-	-	-
22	Motor Cover Plate	-	-	-	-	-	-
26	Pump Top Cover	202435	202435	202445	202445	202439	202439
26-1	O-Ring (Kit Only)	Kit	Kit	Kit	Kit	Kit	Kit
27	Power Cable w/ Gland- 3PH	204452	204452	203776	203776	203776	203776
27-1	O-Ring (Kit Only)	Kit	Kit	Kit	Kit	Kit	Kit
27-2	Seal Minder Cable	204453	204453	204453	204453	204453	204453
27-2-1	O-Ring (Kit Only)	Kit	Kit	Kit	Kit	Kit	Kit
31D	Seal Minder Probe	202409	202409	203998	203998	204000	204000
32	Power Cord Line Clip	203161	203161	204161	204161	204161	204161
33	Seal Minder Cable Line Clip	203163	203163	203163	203163	203163	203163
34	Handle	202517	202517	202517	202517	203171	203171
35	Rods Bolts	202669	202670	202671	202672	202674	202674
38	Discharge Nipple 2"	202531	-	-	-	-	-
38	Discharge Nipple 3"	202534	202534	202534	202534	-	-
38E	Discharge Elbow	202558	202557	202557	202557	202572	202572
38E-1	Gasket, Disch. Elbow, FKM	203209	203209	203209	203209	203211	203211
38F	Discharge Flange 2", 45°	-	-	-	-	-	-
38F	Discharge Flange 2"	202543	-	-	-	-	-
38F	Discharge Flange 3"	202545	203188	203188	203188	-	202575
38F	Discharge Flange 4"	-	202606	202606	202606	202575	-
38F	Discharge Connection, 4" FNPT	202552	-	-	-	-	202661
38F-1	Gasket, Disch. Flange, FKM	202660	201565	201565	201565	202661	202661
50-01-2	Screw for Bottom Plate	203216	203216	203220	203220	203220	203229
50-07	Screw for Pump Housing	203283	203283	203229	203229	203229	203220
50-08	Screw for Oil Chamber Cover	203219	203219	203219	203219	203220	203218
50-11	Screw for Oil Fill	203218	203218	203218	203218	203218	Kit
50-11-1	O-Ring (Kit Only)	Kit	Kit	Kit	Kit	Kit	203218
50-12	Screw for Pressure Check	203218	203218	203218	203218	203218	Kit
50-12-1	O-Ring (Kit Only)	Kit	Kit	Kit	Kit	Kit	203219
50-14-2	Screw Bearing Retainer	-	-	-	-	203219	-
50-19	Screw for Gov. Switch	-	-	-	-	-	-

SVF HT TEMP SERIES

50-19B	Screw for Gov. Switch Plate	-	-	-	-	-	-
50-22	Screw for Cover Plate	-	-	-	-	-	-
50-27	Screw for Power Cord	203216	203216	203220	203220	203220	203220
50-27-2	Screw for Seal Minder Cable	203216	203216	203216	203216	203216	203216
50-31E	Screw for Ground Wire	202692	202692	202692	202692	202692	202692
50-32	Screw for Line Clip	203214	203214	-	-	-	-
50-33	Screw for Line Clip	203214	203214	203214	203214	-	-
50-34	Bolt for Handle	203219	203219	203219	203219	-	-
50-34-1	Bolt for Handle w/ Cable Chain	-	-	-	-	203228	203228
50-34-2	Bolt for Handle	-	-	-	-	203288	203288
50-34-3	Lock Washer	-	-	-	-	202902	202902
50-38E	Bolt for Discharge Elbow	203267	203267	203267	203267	203286	203286
50-38F	Bolt for Discharge Flange	203253	203277	203277	203277	203277	203277
O-Ring Kit		204393	204393	204394	204394	204395	204395

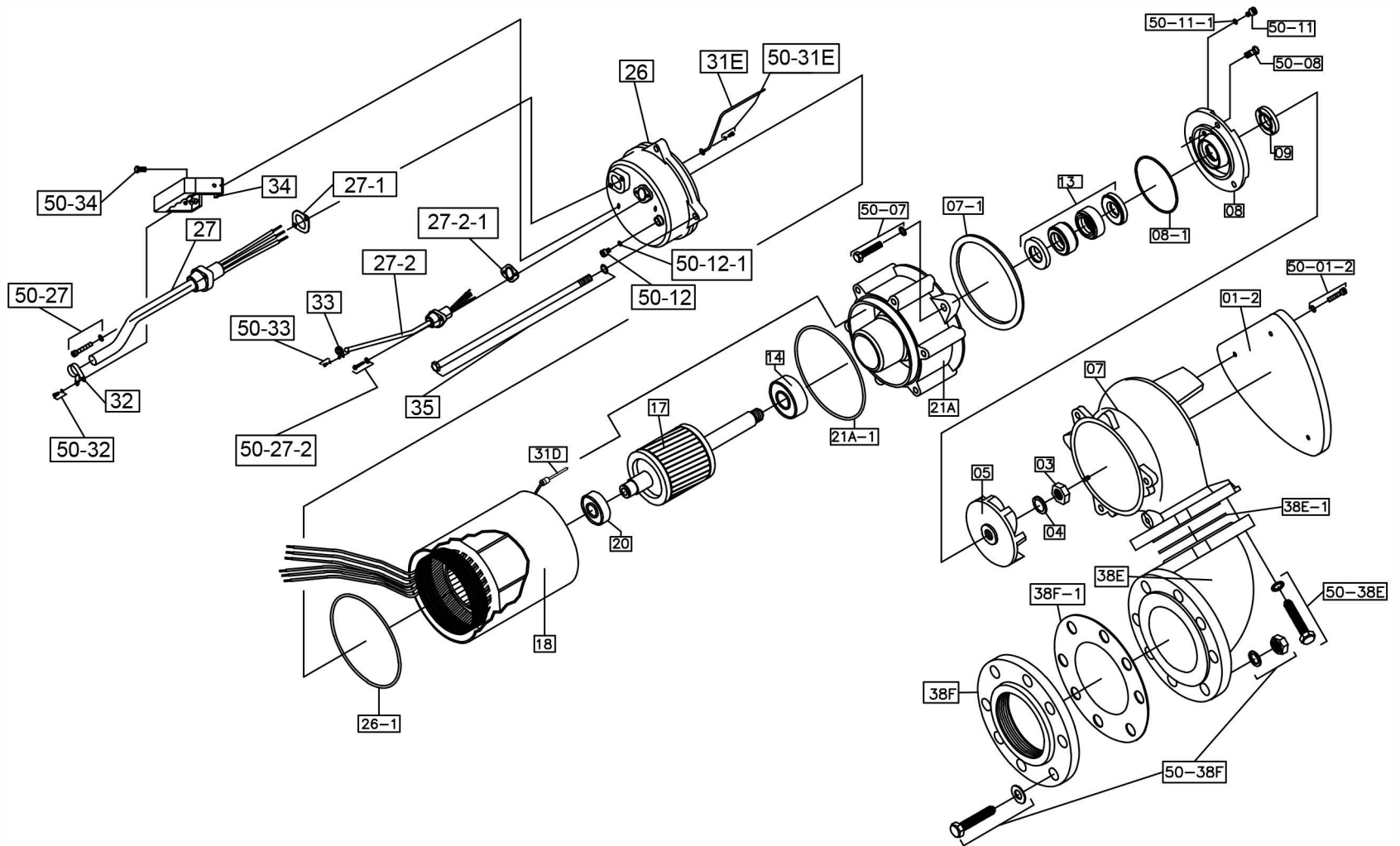
SV08CF

HIGH TEMPERATURE



SV15CF

HIGH TEMPERATURE



SV22CF, SV37CF

High Temperature

