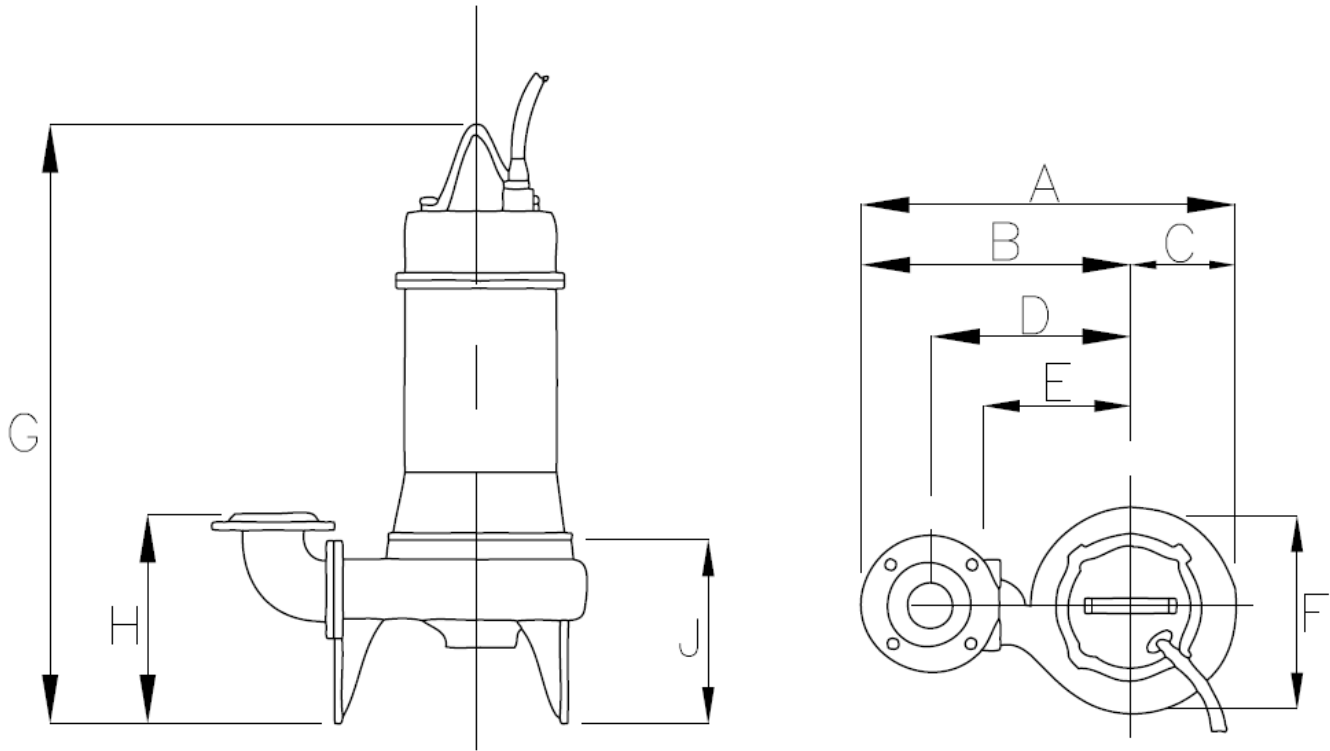


80LX62.2



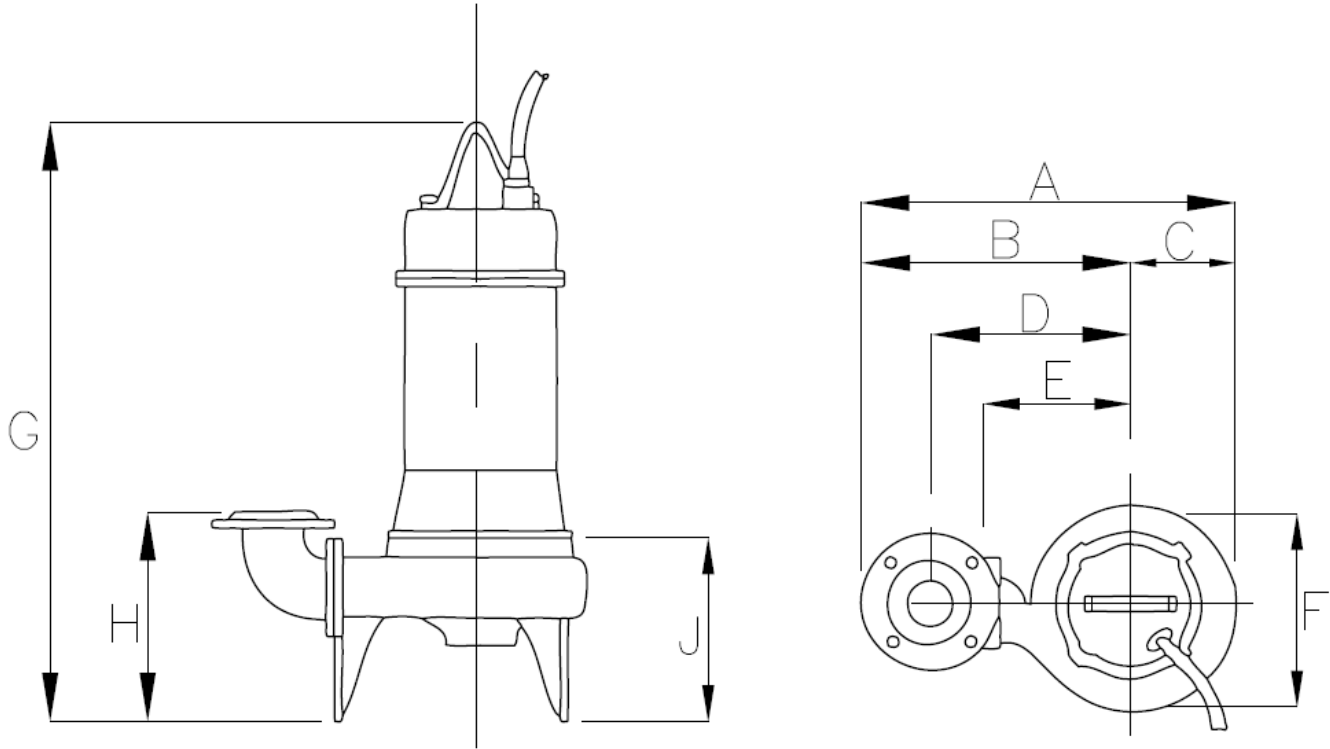
TYPE	DISCHARGE	A	B	C	D	E	F	G	H	J
INCHES	3" Class 125 F.F.	21.02"	14.88"	6.18"	11.22"	8.27"	12.6"	26.3"	11.73"	10.98"

Specifications subject to change without notice

Industrial Flow Solutions Operating, LLC • 104 John W Murphy Drive, New Haven, CT 06513, USA • (860) 631-3618 • www.flowsolutions.com

Stancor® is a registered trademark of Industrial Flow Solutions Operating, LLC. All rights reserved.

80LX63.7



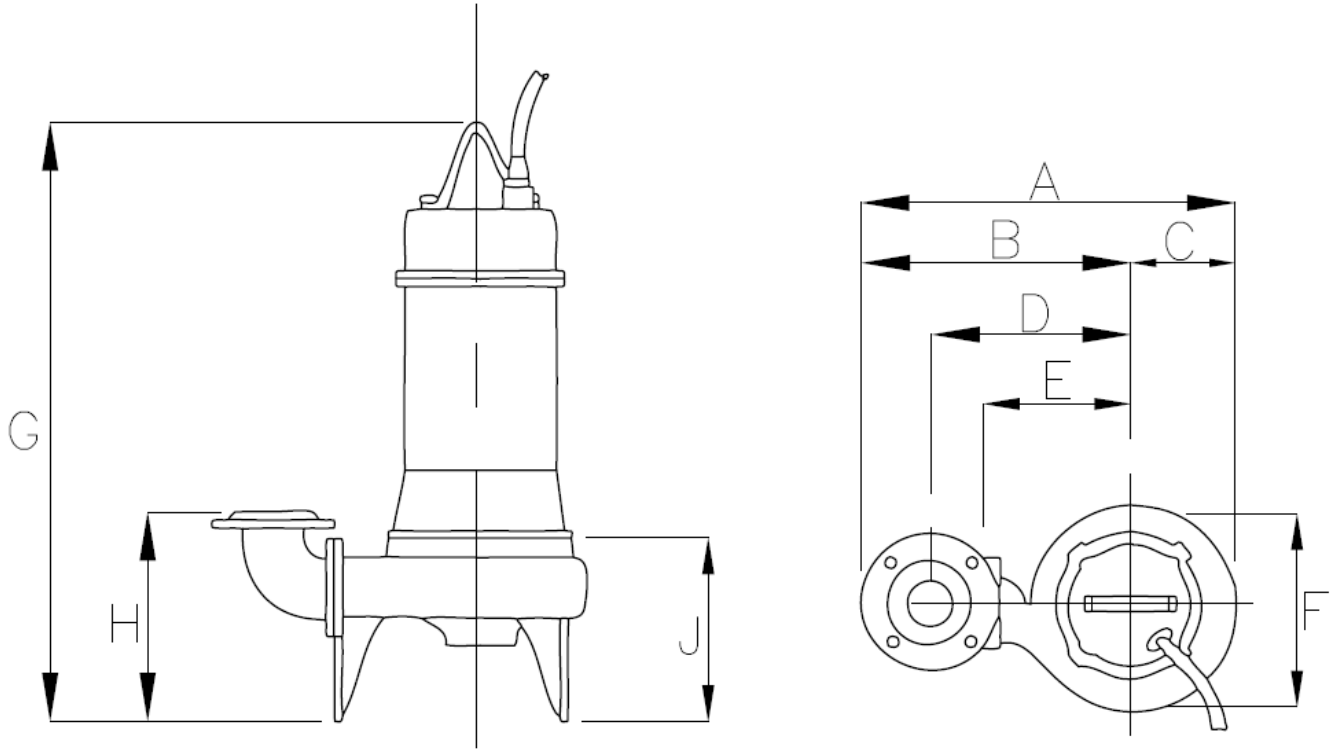
TYPE	DISCHARGE	A	B	C	D	E	F	G	H	J
INCHES	3" Class 125 F.F.	21.02"	14.88"	6.18"	11.22"	8.27"	12.6"	28.63"	11.73"	10.98"

Specifications subject to change without notice

Industrial Flow Solutions Operating, LLC • 104 John W Murphy Drive, New Haven, CT 06513, USA • (860) 631-3618 • www.flowsolutions.com

Stancor® is a registered trademark of Industrial Flow Solutions Operating, LLC. All rights reserved.

80LX65.5



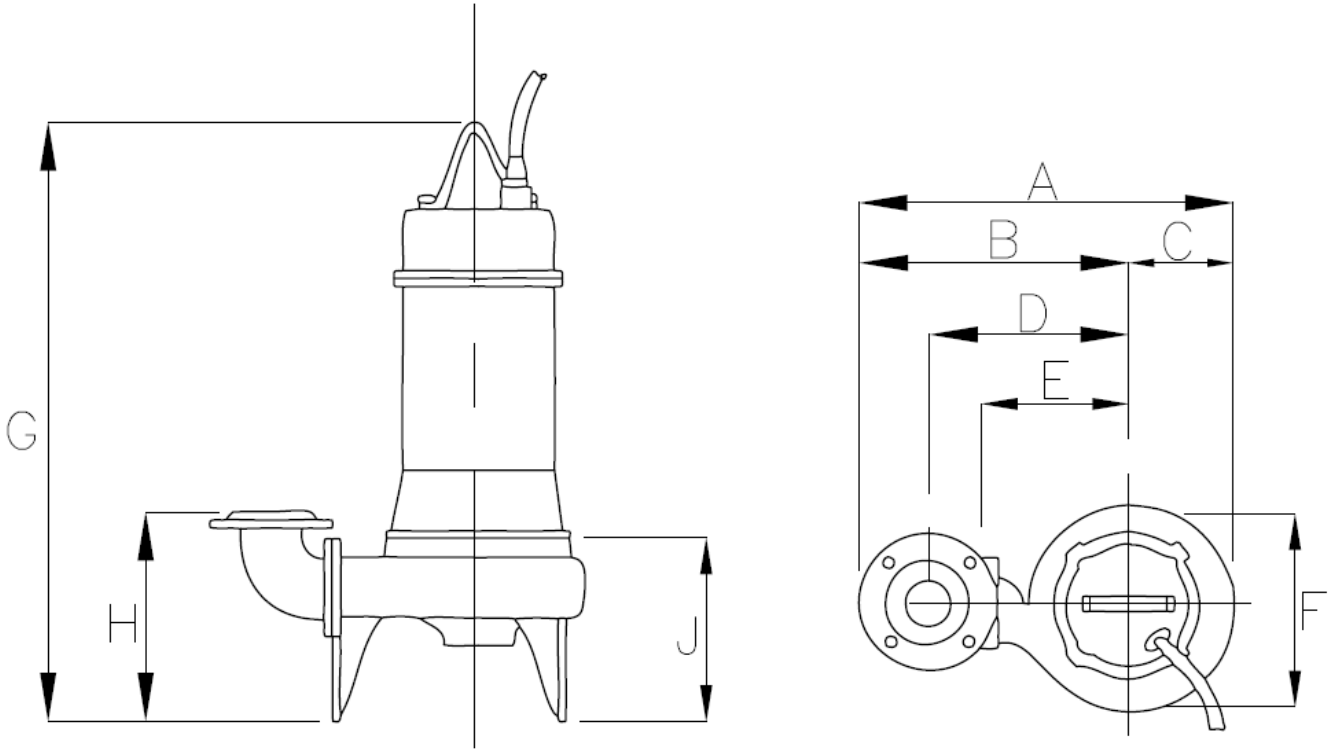
TYPE	DISCHARGE	A	B	C	D	E	F	G	H	J
INCHES	3" Class 125 F.F.	25.2"	17.83"	7.4"	14.17"	10.04"	15"	32.44"	13.15"	12.2"

Specifications subject to change without notice

Industrial Flow Solutions Operating, LLC • 104 John W Murphy Drive, New Haven, CT 06513, USA • (860) 631-3618 • www.flowsolutions.com

Stancor® is a registered trademark of Industrial Flow Solutions Operating, LLC. All rights reserved.

80LX67.5



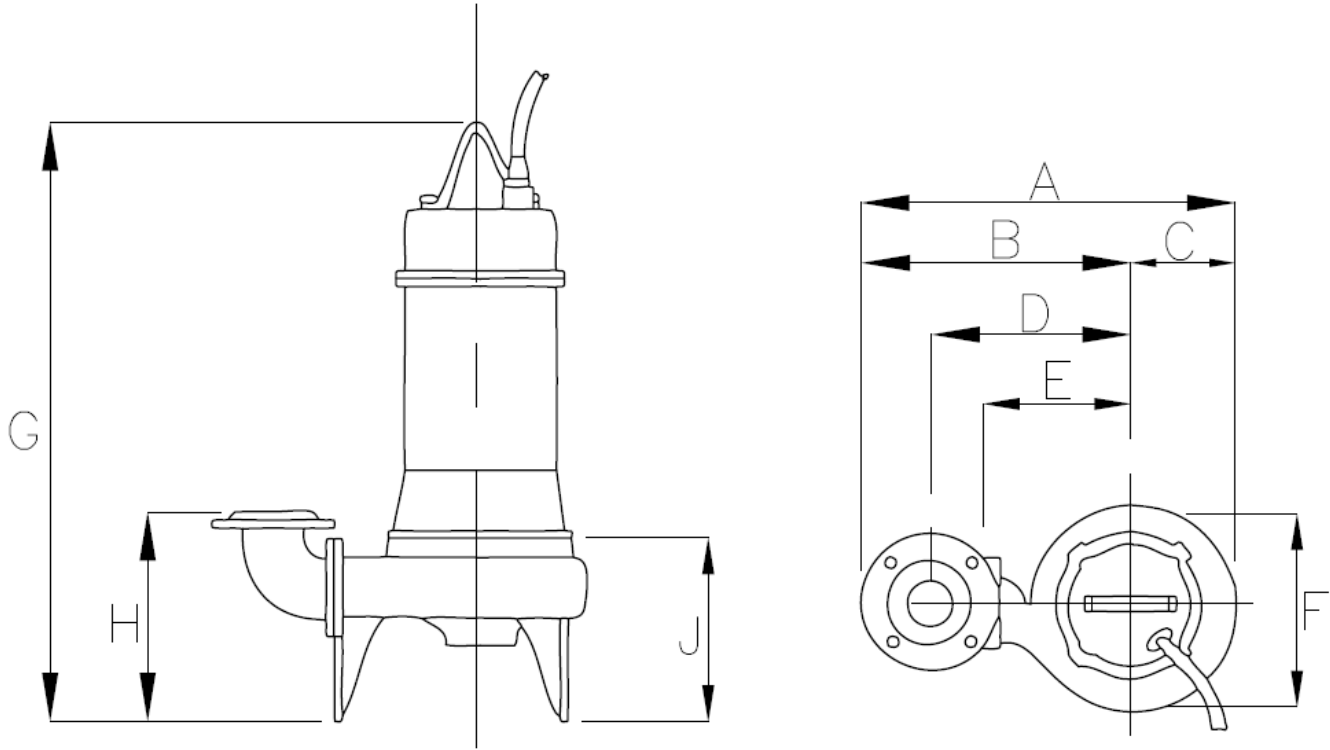
TYPE	DISCHARGE	A	B	C	D	E	F	G	H	J
INCHES	3" Class 125 F.F.	25.2"	17.83"	7.4"	14.17"	10.04"	15"	32.44"	13.15"	12.2"

Specifications subject to change without notice

Industrial Flow Solutions Operating, LLC • 104 John W Murphy Drive, New Haven, CT 06513, USA • (860) 631-3618 • www.flowsolutions.com

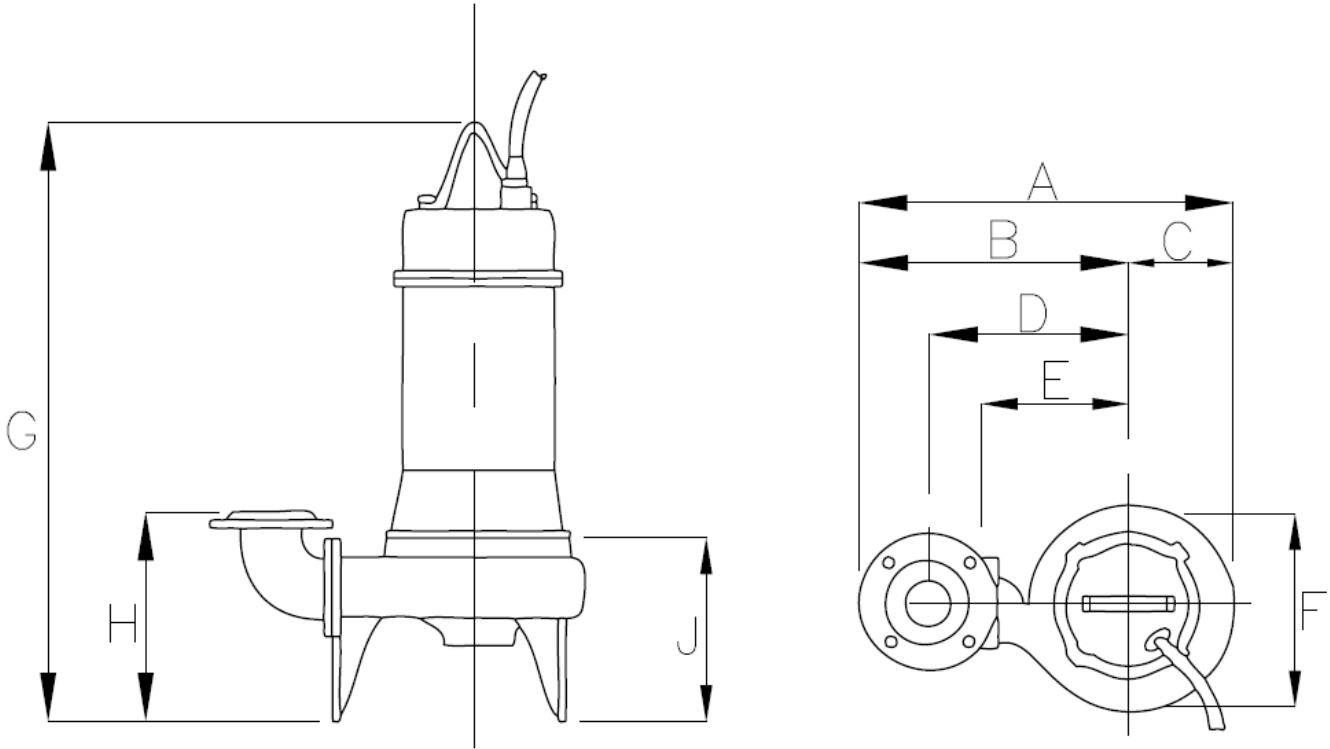
Stancor® is a registered trademark of Industrial Flow Solutions Operating, LLC. All rights reserved.

80LX611



TYPE	DISCHARGE	A	B	C	D	E	F	G	H	J
INCHES	3" Class 125 F.F.	28.9"	20.2"	8.7"	16.54"	12.4"	17.91"	36.93"	13.15"	12.95"

80LX615



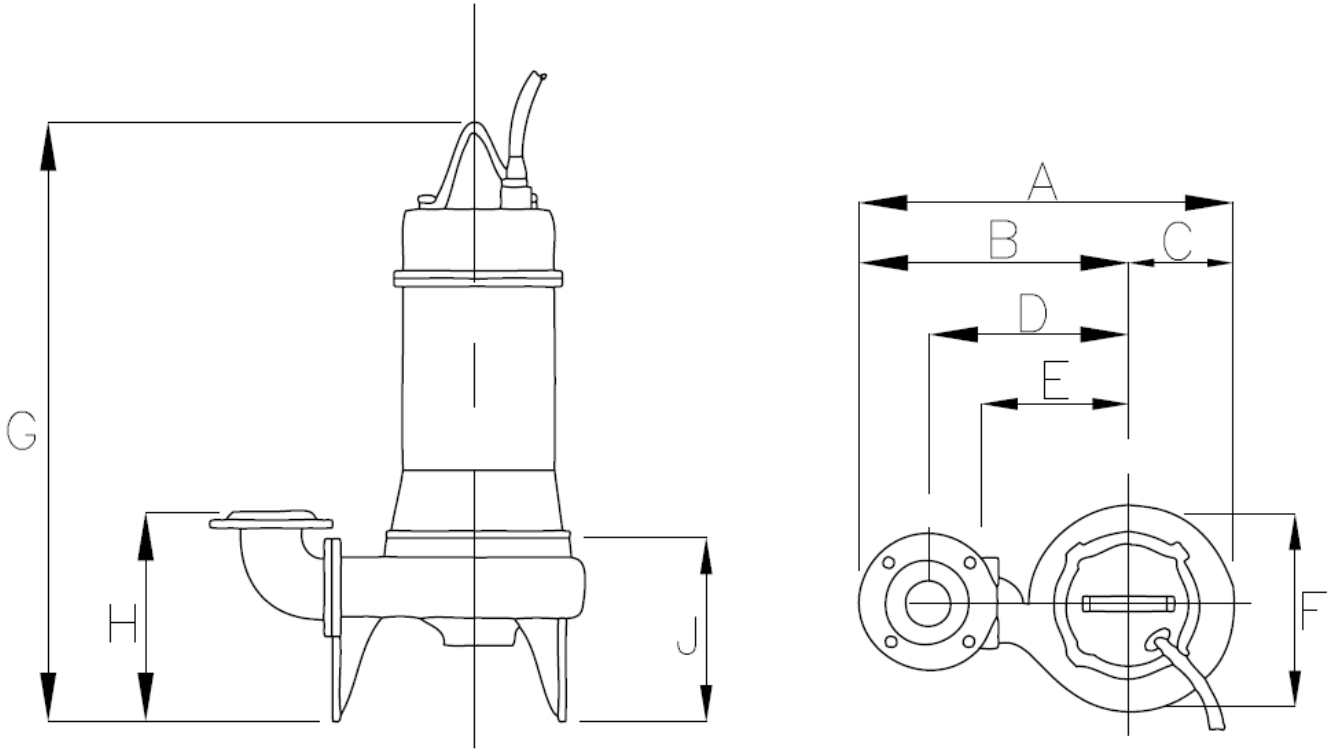
TYPE	DISCHARGE	A	B	C	D	E	F	G	H	J
INCHES	3" Class 125 F.F.	28.9"	20.2"	8.7"	16.54"	12.4"	17.91"	36.93"	13.78"	12.95"

Specifications subject to change without notice

Industrial Flow Solutions Operating, LLC • 104 John W Murphy Drive, New Haven, CT 06513, USA • (860) 631-3618 • www.flowsolutions.com

Stancor® is a registered trademark of Industrial Flow Solutions Operating, LLC. All rights reserved.

80LX622



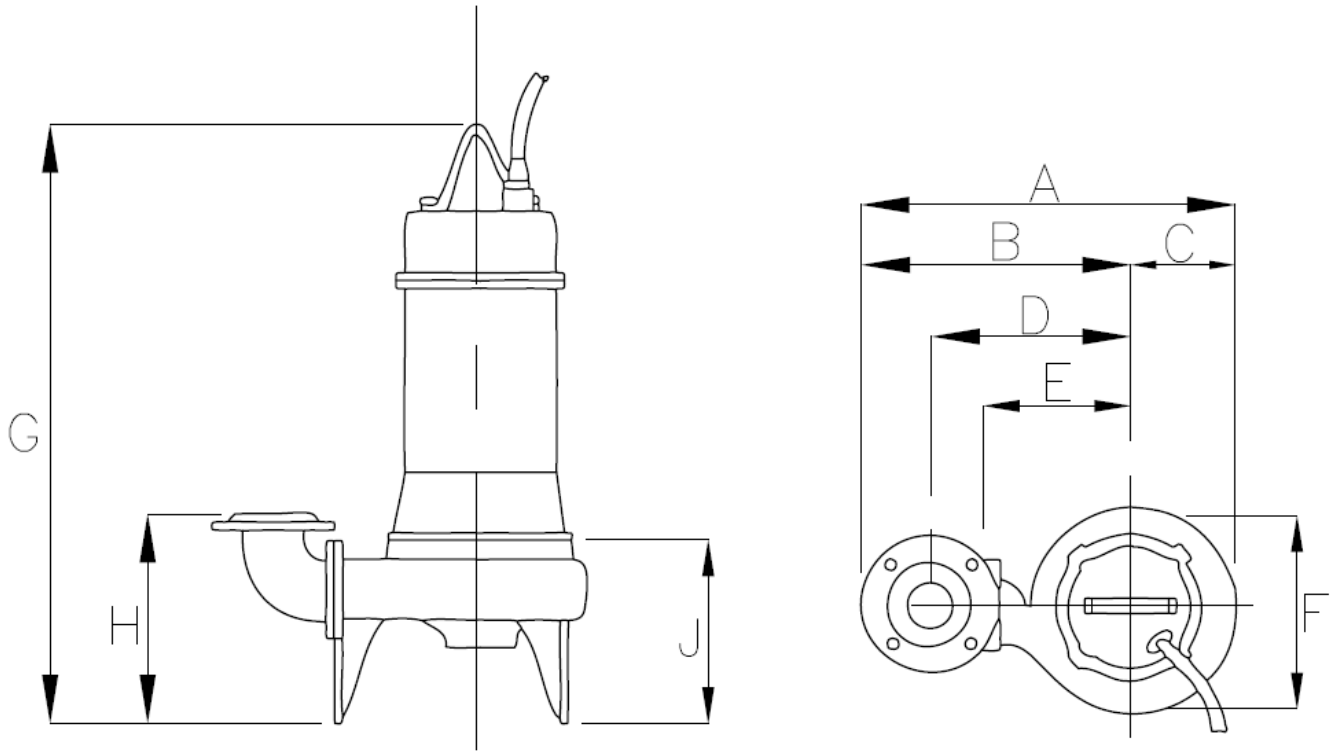
TYPE	DISCHARGE	A	B	C	D	E	F	G	H	J
INCHES	3" Class 125 F.F.	30.59"	20.98"	9.65"	17.32"	13.19"	19.57"	40.2"	14.29"	13.07"

Specifications subject to change without notice

Industrial Flow Solutions Operating, LLC • 104 John W Murphy Drive, New Haven, CT 06513, USA • (860) 631-3618 • www.flowsolutions.com

Stancor® is a registered trademark of Industrial Flow Solutions Operating, LLC. All rights reserved.

100LX63.7



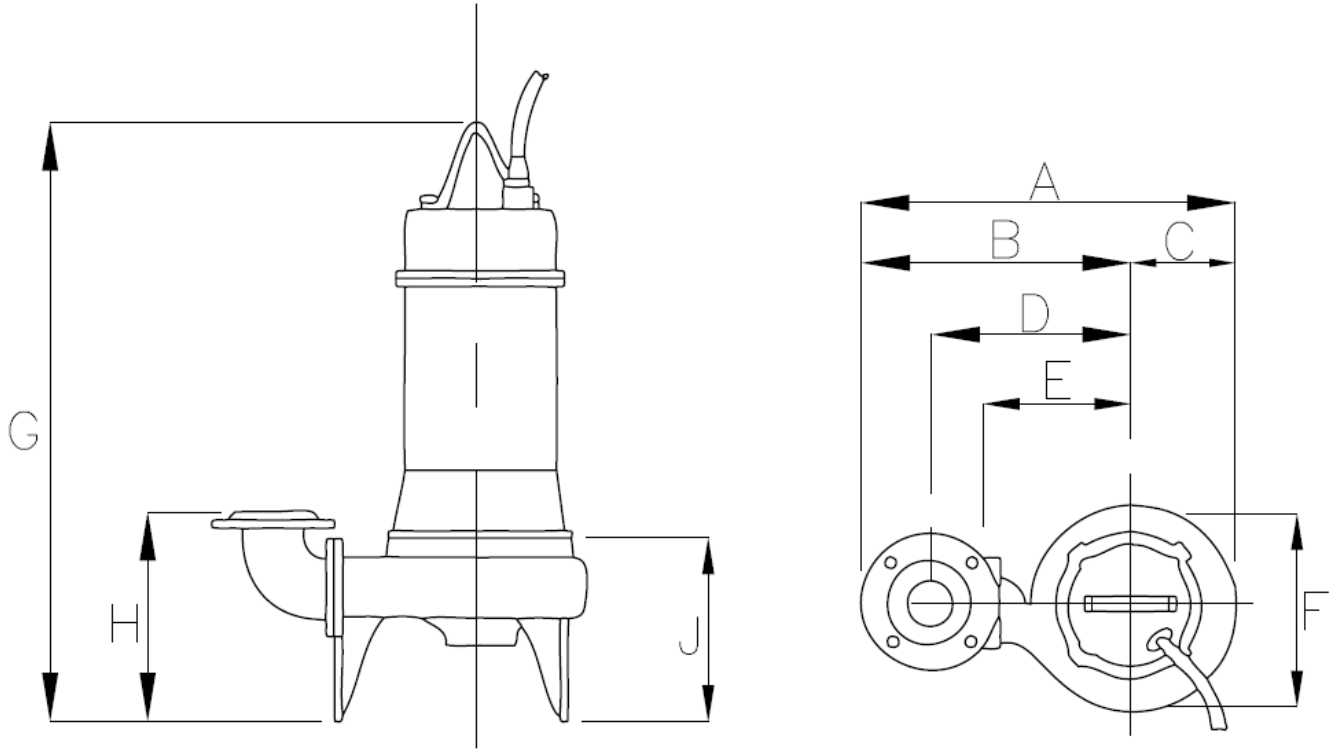
TYPE	DISCHARGE	A	B	C	D	E	F	G	H	J
INCHES	4" Class 125 F.F.	22.72"	16.54"	6.18"	12.4"	8.27"	12.6"	28.62"	12.32"	10.98"

Specifications subject to change without notice

Industrial Flow Solutions Operating, LLC • 104 John W Murphy Drive, New Haven, CT 06513, USA • (860) 631-3618 • www.flowsolutions.com

Stancor® is a registered trademark of Industrial Flow Solutions Operating, LLC. All rights reserved.

100LX65.5



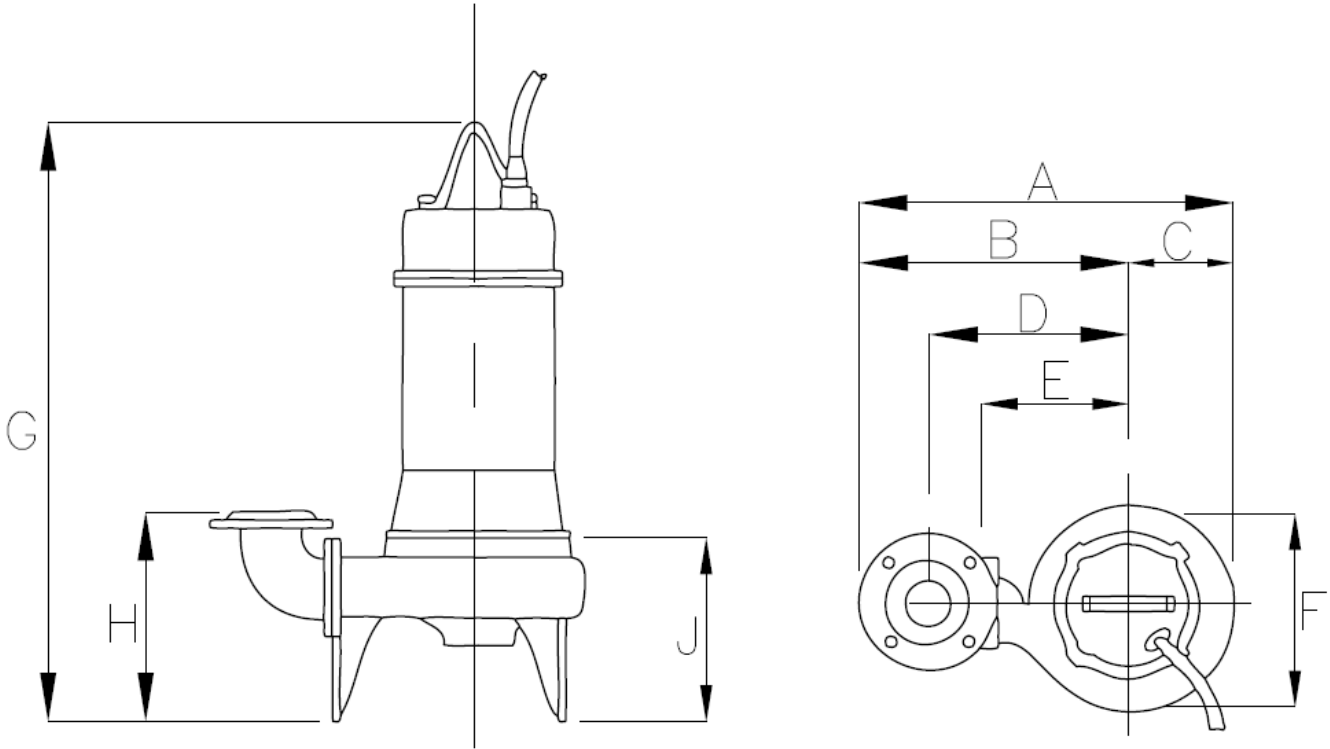
TYPE	DISCHARGE	A	B	C	D	E	F	G	H	J
INCHES	4" Class 125 F.F.	25.71"	18.31"	7.4"	14.17"	10.04"	15"	32.44"	13.15"	12.2"

Specifications subject to change without notice

Industrial Flow Solutions Operating, LLC • 104 John W Murphy Drive, New Haven, CT 06513, USA • (860) 631-3618 • www.flowsolutions.com

Stancor® is a registered trademark of Industrial Flow Solutions Operating, LLC. All rights reserved.

100LX67.5



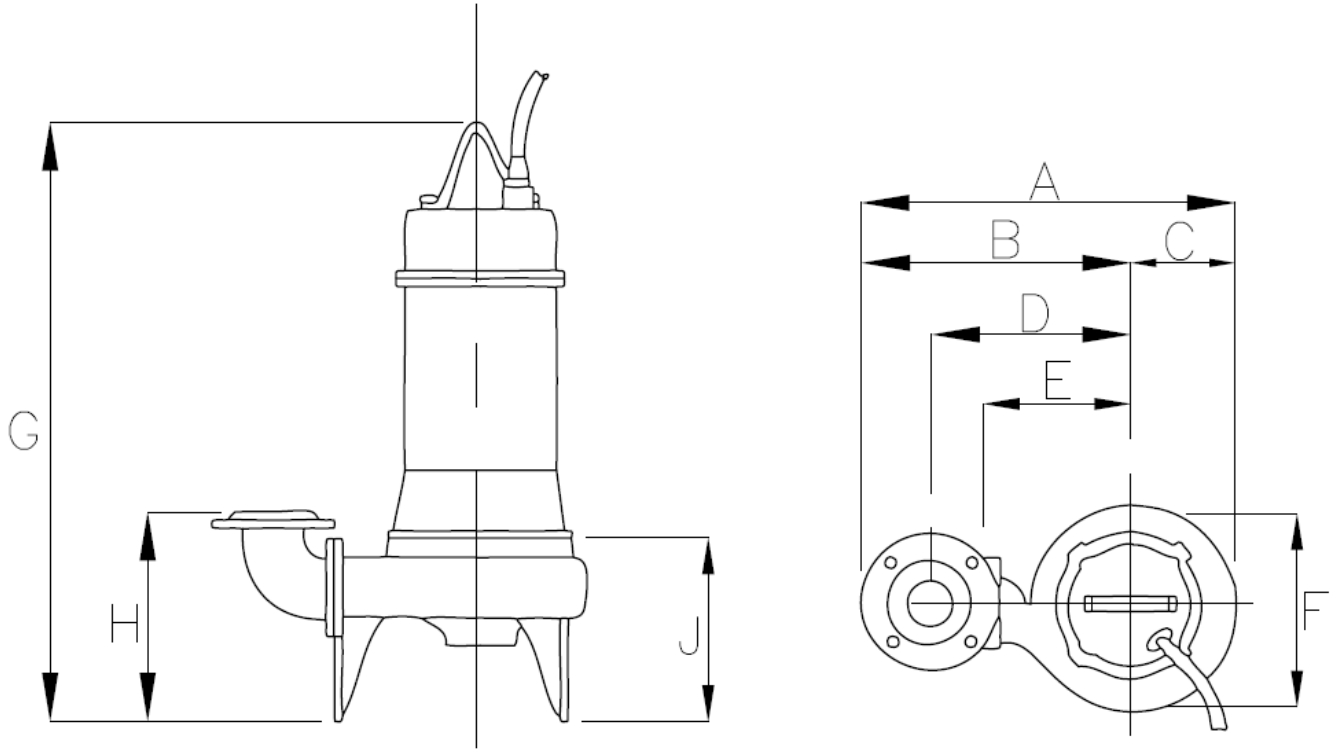
TYPE	DISCHARGE	A	B	C	D	E	F	G	H	J
INCHES	4" Class 125 F.F.	25.71"	18.31"	7.4"	14.17"	10.04"	15"	32.44"	13.15"	12.2"

Specifications subject to change without notice

Industrial Flow Solutions Operating, LLC • 104 John W Murphy Drive, New Haven, CT 06513, USA • (860) 631-3618 • www.flowsolutions.com

Stancor® is a registered trademark of Industrial Flow Solutions Operating, LLC. All rights reserved.

100LX611



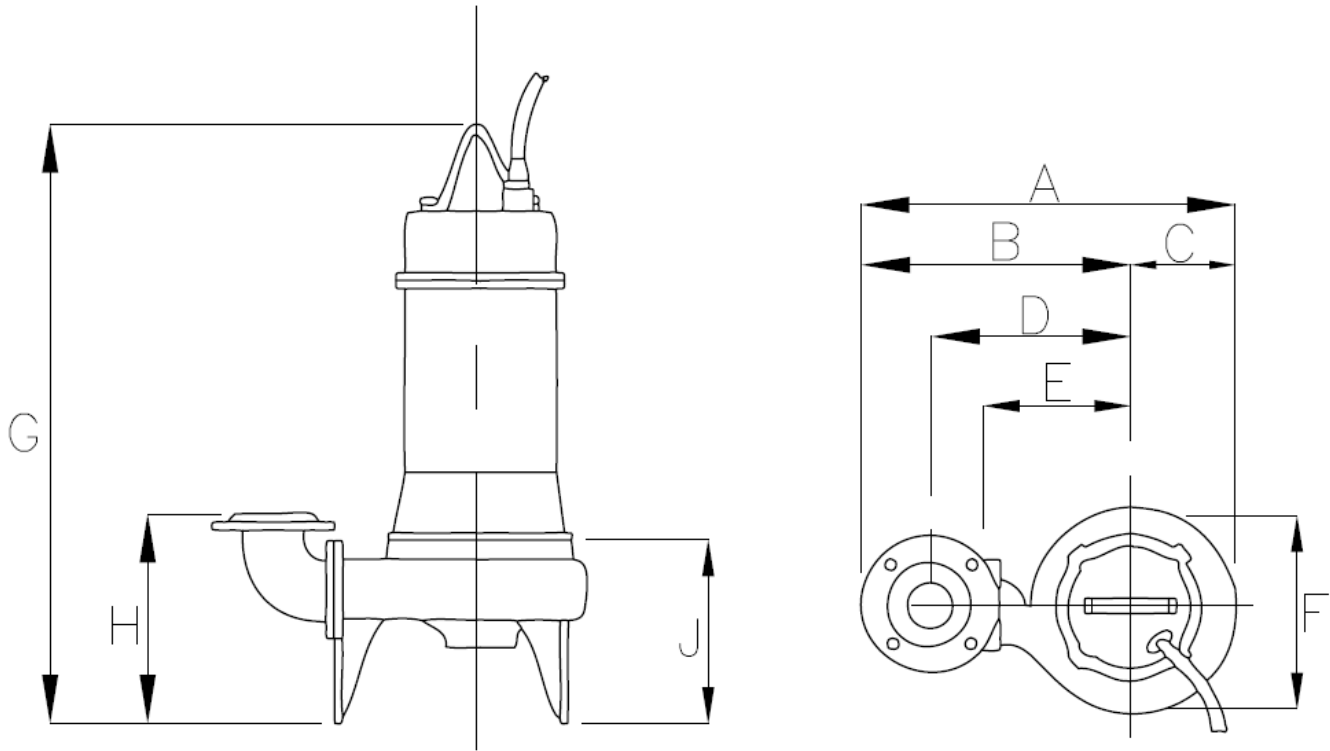
TYPE	DISCHARGE	A	B	C	D	E	F	G	H	J
INCHES	4" Class 125 F.F.	29.37"	20.67"	8.7"	16.54"	12.4"	17.91"	36.93"	13.78"	12.95"

Specifications subject to change without notice

Industrial Flow Solutions Operating, LLC • 104 John W Murphy Drive, New Haven, CT 06513, USA • (860) 631-3618 • www.flowsolutions.com

Stancor® is a registered trademark of Industrial Flow Solutions Operating, LLC. All rights reserved.

100LX615



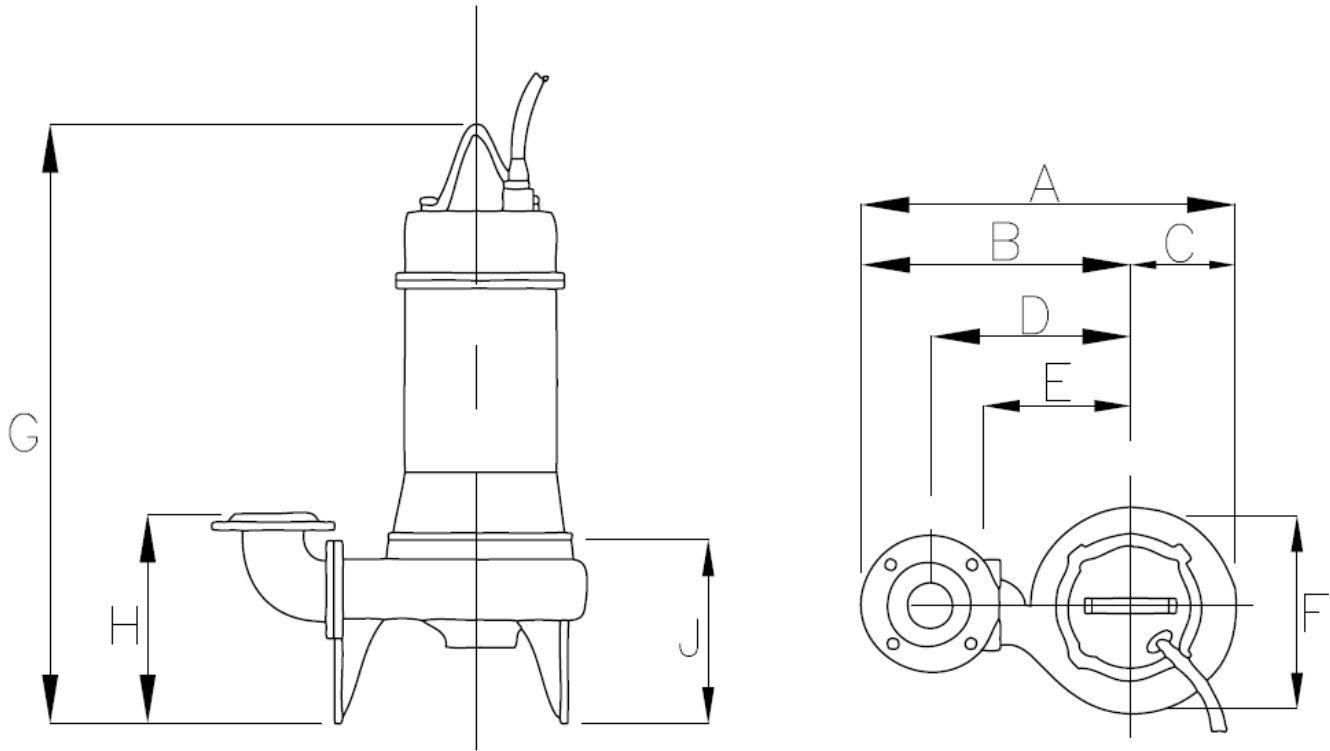
TYPE	DISCHARGE	A	B	C	D	E	F	G	H	J
INCHES	4" Class 125 F.F.	29.37"	20.67"	8.7"	16.54"	12.4"	17.91"	36.93"	13.78"	12.95"

Specifications subject to change without notice

Industrial Flow Solutions Operating, LLC • 104 John W Murphy Drive, New Haven, CT 06513, USA • (860) 631-3618 • www.flowsolutions.com

Stancor® is a registered trademark of Industrial Flow Solutions Operating, LLC. All rights reserved.

100LX622



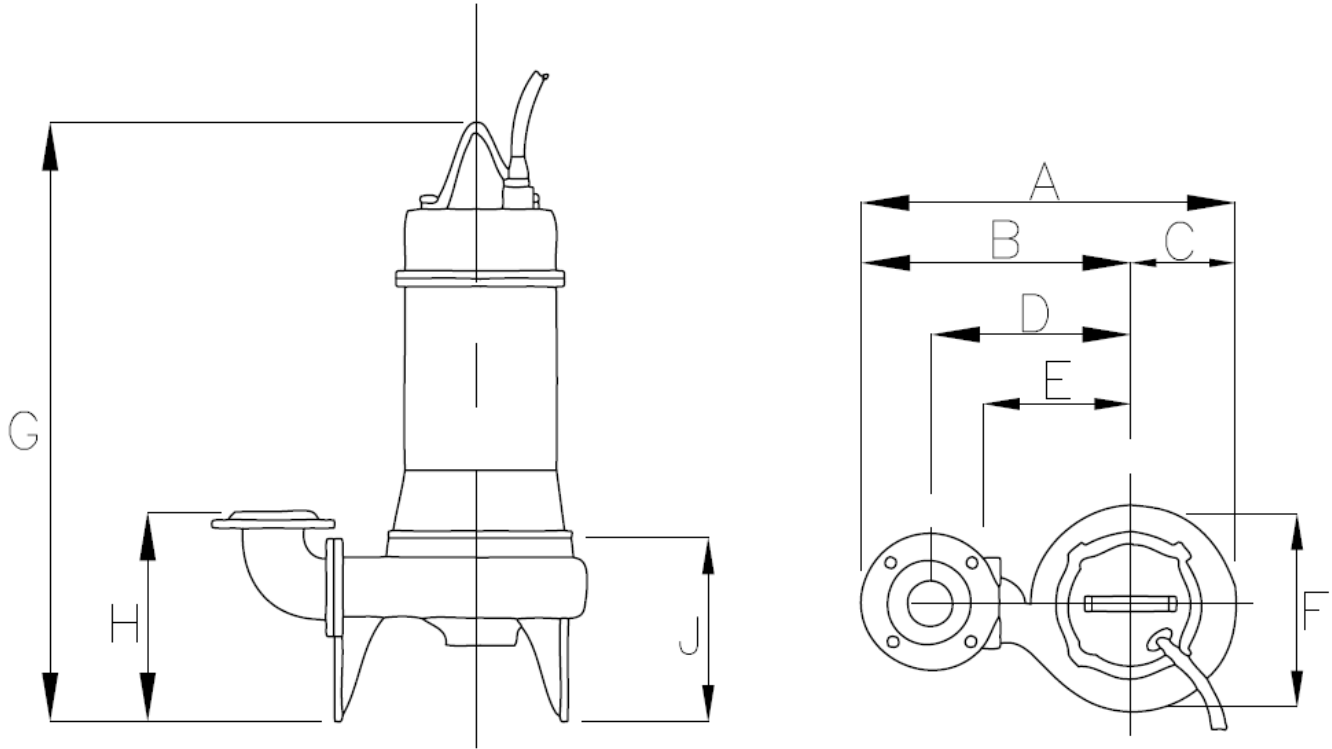
TYPE	DISCHARGE	A	B	C	D	E	F	G	H	J
INCHES	4" Class 125 F.F.	31.1"	21.46"	9.65"	17.32"	13.19"	19.57"	40.2"	14.29"	13.07"

Specifications subject to change without notice

Industrial Flow Solutions Operating, LLC • 104 John W Murphy Drive, New Haven, CT 06513, USA • (860) 631-3618 • www.flowsolutions.com

Stancor® is a registered trademark of Industrial Flow Solutions Operating, LLC. All rights reserved.

100LX65.5



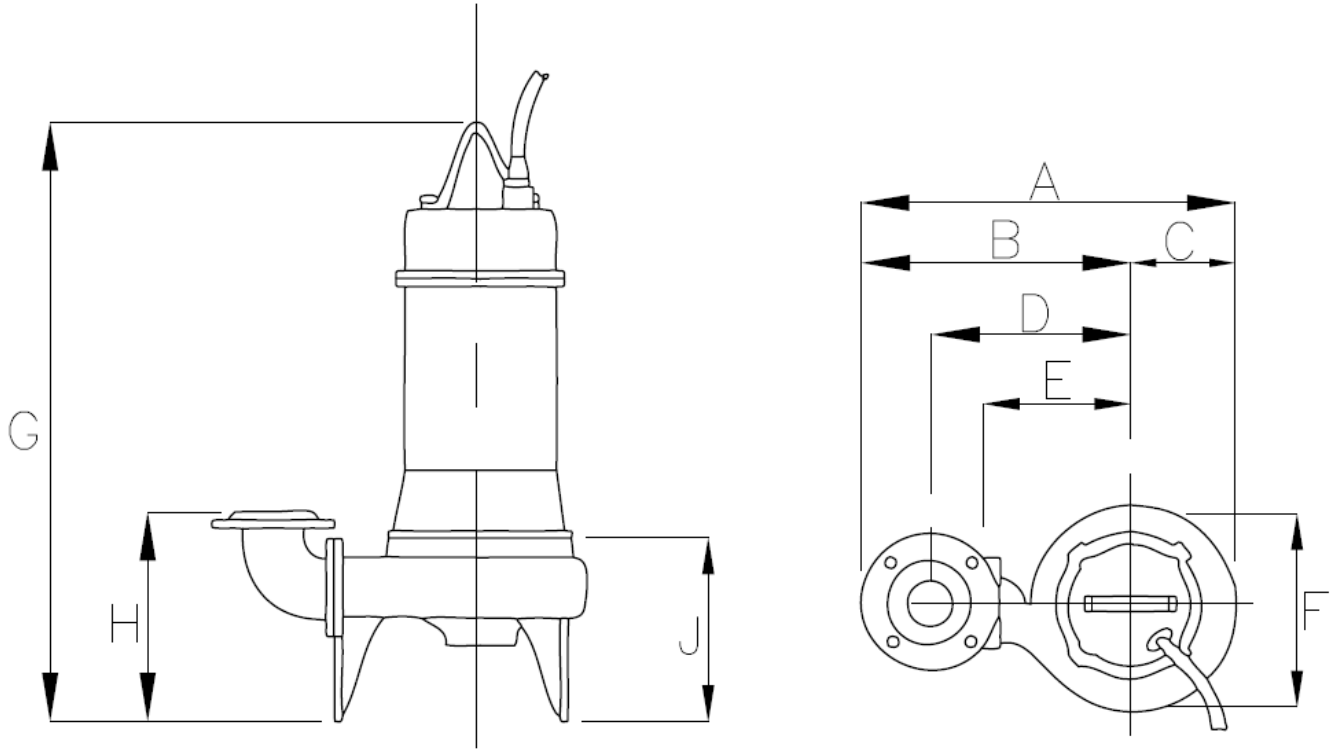
TYPE	DISCHARGE	A	B	C	D	E	F	G	H	J
INCHES	6" Class 125 F.F.	28.07"	20.67"	7.4"	15.16"	10.04"	15"	32.44"	14.53"	12.2"

Specifications subject to change without notice

Industrial Flow Solutions Operating, LLC • 104 John W Murphy Drive, New Haven, CT 06513, USA • (860) 631-3618 • www.flowsolutions.com

Stancor® is a registered trademark of Industrial Flow Solutions Operating, LLC. All rights reserved.

150LX67.5



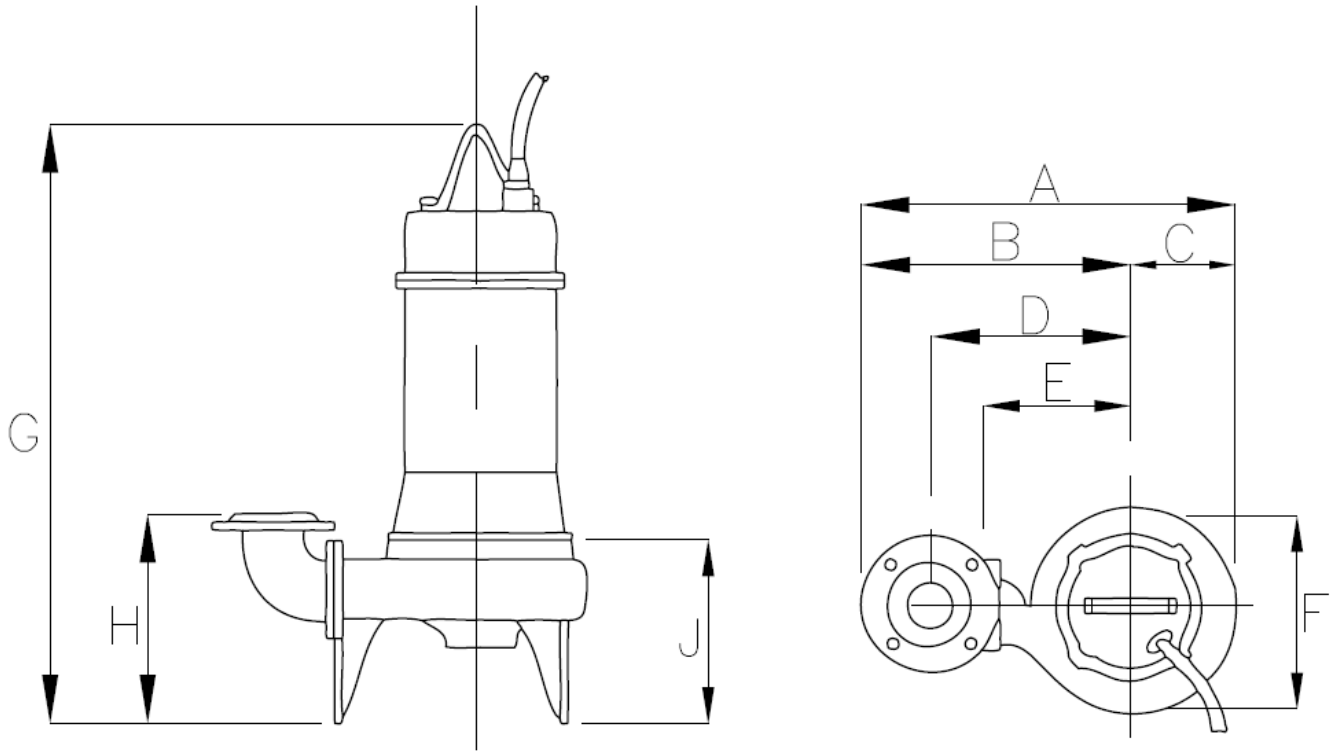
TYPE	DISCHARGE	A	B	C	D	E	F	G	H	J
INCHES	6" Class 125 F.F.	28.07"	20.67"	7.4"	15.16"	10.04"	15"	32.44"	14.53"	12.2"

Specifications subject to change without notice

Industrial Flow Solutions Operating, LLC • 104 John W Murphy Drive, New Haven, CT 06513, USA • (860) 631-3618 • www.flowsolutions.com

Stancor® is a registered trademark of Industrial Flow Solutions Operating, LLC. All rights reserved.

150LX611



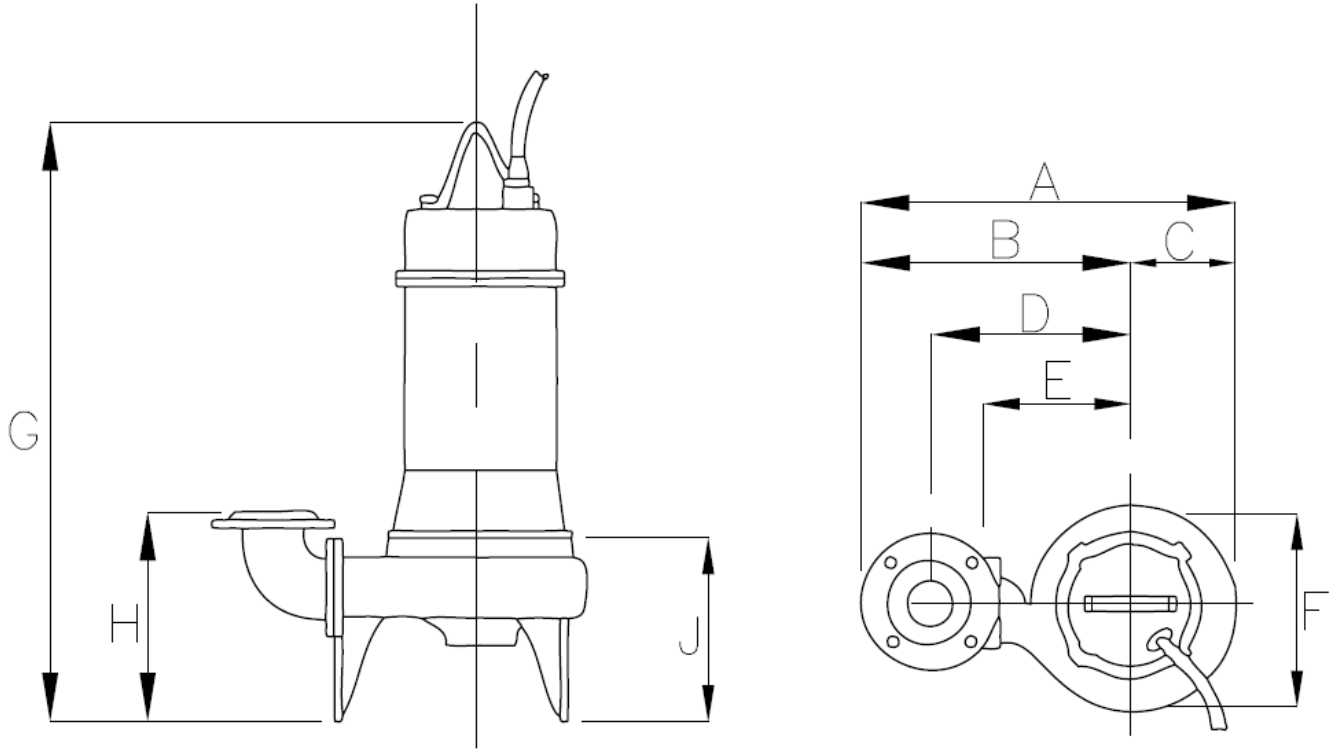
TYPE	DISCHARGE	A	B	C	D	E	F	G	H	J
INCHES	6" Class 125 F.F.	31.73"	23.03"	8.7"	17.52"	12.4"	17.91	36.93"	15.16"	12.95"

Specifications subject to change without notice

Industrial Flow Solutions Operating, LLC • 104 John W Murphy Drive, New Haven, CT 06513, USA • (860) 631-3618 • www.flowsolutions.com

Stancor® is a registered trademark of Industrial Flow Solutions Operating, LLC. All rights reserved.

150LX622



TYPE	DISCHARGE	A	B	C	D	E	F	G	H	J
INCHES	6" Class 125 F.F.	33.46"	23.82"	9.65"	18.31"	13.19"	19.57"	40.2"	15.67"	13.07"

Specifications subject to change without notice

Industrial Flow Solutions Operating, LLC • 104 John W Murphy Drive, New Haven, CT 06513, USA • (860) 631-3618 • www.flowsolutions.com

Stancor® is a registered trademark of Industrial Flow Solutions Operating, LLC. All rights reserved.