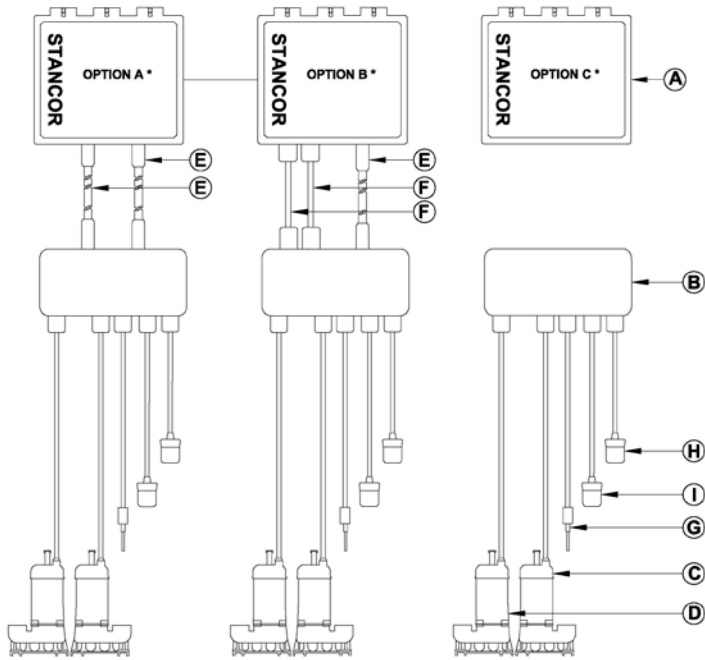


2 LO 0LQGHU 'XSOH[VWHP%R[7HWKHUHG)ORDWV				
'ZJ	DS-B10-008	5HY	'DWI 8/16	6HULSWV

&RQ VWUXFWLRQ

0RWRU/LJQ	Induction	0RWRU +RXVLQJ	Stainless Steel
0RWRU 7\SH	Enclosed submersible	9ROXWH	Cast Iron
,QVXODWLRQ &O	Class E	([WHUQDO +DUGZ	Stainless Steel
0RWRU 3URWHFV	Bi-metallic Thermal Switch	2 5LQJV	Nitrile (Buna N)
%DHWDOOLF 7HF	120 cC r 5 cC	0RWRU 6KDIW	Stainless Steel
0D[)OXLG WHP	104 (40 (,PSHOHU	Cast Iron
8SSHU 6KDIW 6H	carbon/ceramic	/RZHU 6KDIW 6HD	Sic/Sic

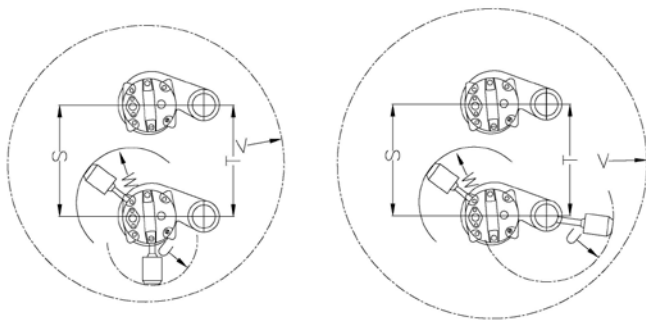
&RQUXUDWLRQ



,WH	'HVFULSWLRQ
\$	Control Panel
%	J-Box
&	Pump A
'	Pump B
(8 Pin Cable
)	Pump Power Cable
*	Sensor Probe
+	High Float
,	ON Float

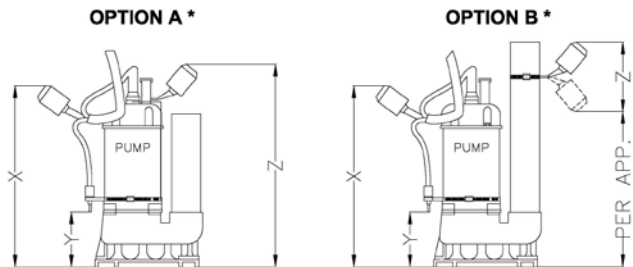
6HH 20 &RQILJXUD
IRU VSHFLILF RSW

,QVODWLRQ 'LPHQVLRQV



,WH	'HVFULSWLRQ
6	Min. Pump Dist.**
7	Min. Fitting Dist.***
8	High Float Radius
9	Min. Sump Ø
:	ON Float Radius
;	Pump ON
<	Pump OFF
=	High Alarm

6HH 20 &RQILJXUDV
IRU VSHFLILF RSWLF
GLPHQVLRQV



0LQPXP GLVWDQFH UHTXLUHG
IRU SURSHU SXPS SHUIRUPDQFH

)LWWLQJ GLPHQVLRQV DUH
EDVHG RQ \$60%
VWDQGDUG