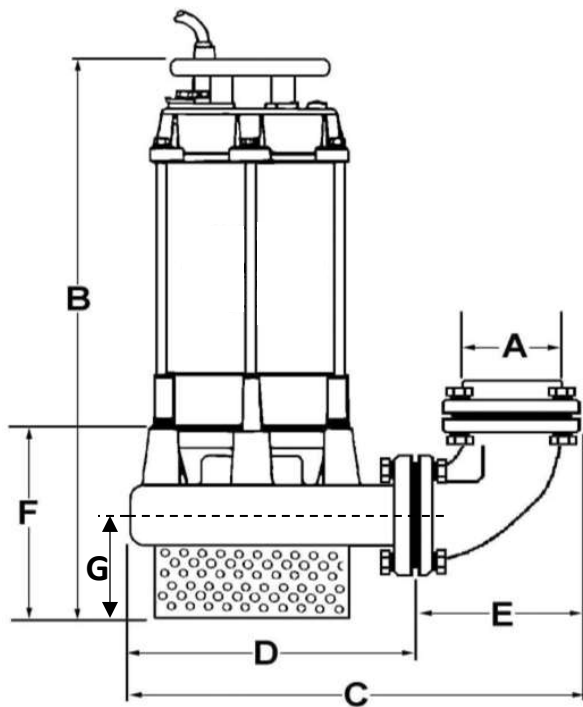
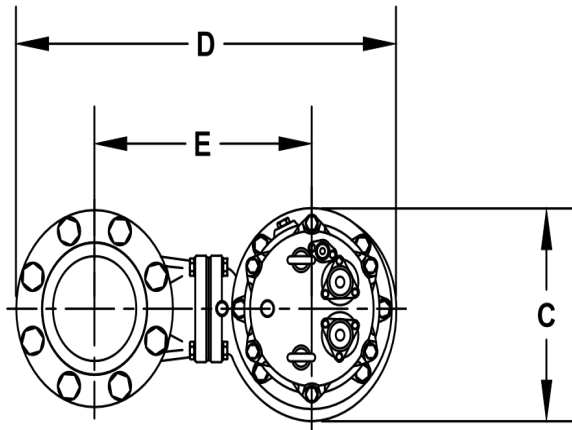


MODEL	A	B	C	F	G
JX400	2.0"	15.7"	8.5"	4.75"	2.36"
JX750	2.0"	17.3"	11.2"	5.25"	3.15"
JX08	2.0"	15.2"	11.2"	5.25"	3.15"
JX15	3.0"	16.4"	11.2"	5.25"	3.15"
JX22	3.0"	18.5"	12.5"	6.25"	4.53"
JX37	4.0"	19.7"	12.5"	6.25"	4.53"
C.W.L. – Continuous Running Water Level = B					
L.W.L. – Lowest Running Water Level = F					



MODEL	A	B	C	D	E	F	G
JX55C	4.0"	25.5"	20.5"	13.25"	7.25"	8.0"	5.12"
JX75C	4.0"	27.75"	20.5"	13.25"	7.25"	8.0"	5.12"
C.W.L. – Continuous Running Water Level = B							
L.W.L. – Lowest Running Water Level = F							



MODEL	A	B	C	D	E	F	G	H	I
JX150C	6.0" ANSI	34.6"	12.3"	27.4"	15.7"	10.8"	15.5"	7.87"	4" JIS
JX220C	6.0" ANSI	34.6"	12.3"	27.4"	15.7"	10.8"	15.5"	7.87"	4" JIS
C.W.L. – Continuous Running Water Level = B									
L.W.L – Lowest Running Water Level = F									

