

©2024 Industrial Flow Solutions Operating, LLC. All rights reserved.

Industrial Flow Solutions Operating, LLC • 104 John W Murphy Drive, New Haven, CT 06513, USA
(860) 631-3618 • www.flowsolutions.com



Dwg:

DS-C42-001

Rev:

2

Date:

9/10/2024

Pump Model

Pos.	Part Description	Qty ¹	Pump Model					
			A2-19	A2-22	A2-41	A2-56	A2-75	A2-97
01	[+] MOTOR CASING Pack	1	6100455116	6100455124	6100530016	6100622115	6100622116	6100622124
02	Cable	1	206039	206039	206039	206041	206041	206041
03	Cable Gland	1	07316100EX	07316100EX	07316100EX	07310220	07310220	07316130
04	Washer	1	6508240	6508240	6508240	6508260	6508260	6508260
05	Cable Grommet	1	7316100	7316100	7316100	7316130	7316130	7316130
06	Screw	1	7007160	7007160	7007160	7007160	7007160	7007160
07	Terminal blue cap	#	8201120 (X5)	8201120 (X5)	8201120 (X2)	8201120 (X2)	8201120 (X2)	8201120 (X2)
08	Terminal white cap	#	8201110 (X1)	8201110 (X1)	8201110 (X3)	8201110 (X6)	8201110 (X6)	8201110 (X6)
09	Terminal yellow cap	#	---	---	8201130 (X1)	---	---	---
11	Connector	1	8202100	8202100	8202100	8202100	8202100	8202100
12	[+] MOTOR SHAFT Pack	1	6010444015	6010444020	6010555010	6010666005	6010666010	6010666020
13	Oring	1	7210980	7210980	7211460	7211500	7211500	7211500
14	AVP Ring	1	6001100	6001100	6001120	6001160	6001160	6001160
15	Retaining Ring	1	6100140	6100140	6100160	6100200	6100200	6100200
16	Oring	1	7210280	7210280	7210700	7210340	7210340	7210340
17	Locking Ring	1	32804470	32804470	32805320	32806310	32806310	32806310
18	Retaining Ring	1	6100540	6100540	6100560	6100580	6100580	6100580
19	Upper Mechanical Seal	1	10011223	10011223	10011224	10011225	10011225	10011225
20	AVP Ring	1	6001100	6001100	6001120	6001160	6001160	6001160
21	Retaining Ring	1	6100140	6100140	6100160	6100200	6100200	6100200
22	Oil Chamber	1	33604590	33604590	33605060	33606060	33606060	33606060
23	Screw	4	7007520	7007500	7007660	7007760	7007760	7007760
24	Lower Mechanical Seal	1	7508180	7508180	7502120	7508150	7508150	7508150
25	Oring	1	7210980	7210980	7211160	7211160	7211160	7211160
26	Shaft Key	1	6406180	6406180	6406220	6406240	6406240	6406240
27	Impeller	1	43004063	43004062	43005101	43000051	43006111	43000041
28	Washer	1	6507100	6507100	6508100	6508100	6508120	6508120

1 - Some quantities vary per model

©2024 Industrial Flow Solutions Operating, LLC. All rights reserved.

Industrial Flow Solutions Operating, LLC • 104 John W Murphy Drive, New Haven, CT 06513, USA
(860) 631-3618 • www.flowsolutions.com



Pump Model

Pos.	Part Description	Qty ¹	A2-15	A2-22	A2-41	A2-56	A2-75	A2-97
29	Spring Washer	1	---	6605140	6605160	6605170	6605170	6605170
30	Screw	1	7007520	7007520	7007700	7007780	7007780	7007780
32	O-ring	1	7210184	7210184	7210184	7210184	7210184	7210184
33	Oil Cap	1	6700100	6700100	6700100	6700100	6700100	6700100
34	Chain Ring	1	6002100	6002100	6002120	6002120	6002120	6002120
35	Screw	1	7007540	7007540	7007540	7007560	7007560	7007560
36	Self locking Nut	1	6206100	6206100	6206100	6206100	6206100	6206100
37	Volute	1	31804042	31804042	31805290	31806081	31806081	31806081
38	Screw	4	7007500	7007500	7007680	7007760	7007760	7007760
39	Cable Gland Tab	1	6404120	6404120	6404120	6404160	6404160	6404160
40	Screw	2	7007240	7007240	7007240	7007240	7007240	7007240
A	Discharge Seal	1	---	---	7204120	7204120	7204120	7204120

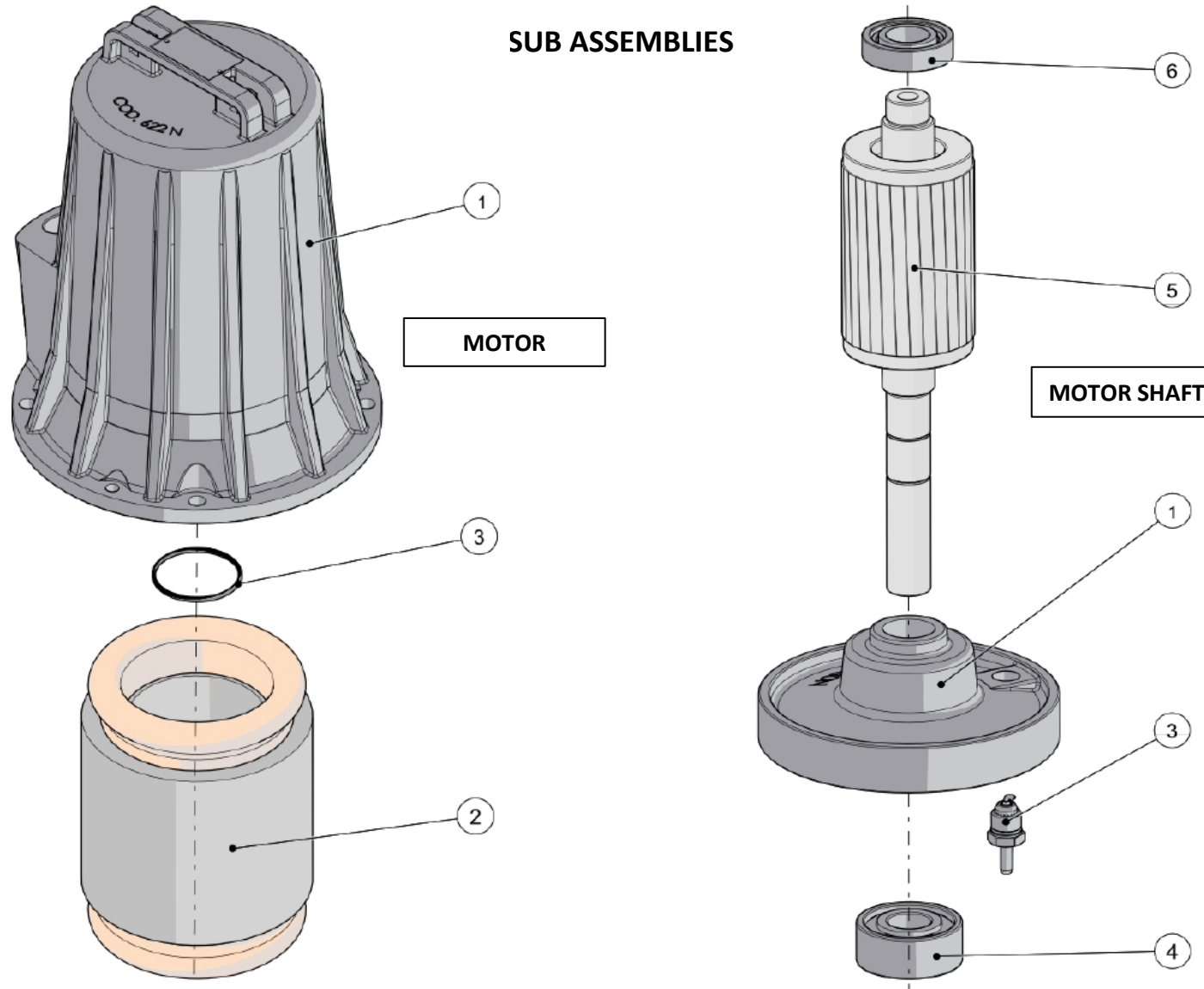
1 - Some quantities vary per model

©2024 Industrial Flow Solutions Operating, LLC. All rights reserved.

Industrial Flow Solutions Operating, LLC • 104 John W Murphy Drive, New Haven, CT 06513, USA
(860) 631-3618 • www.flowsolutions.com



SUB ASSEMBLIES



©2024 Industrial Flow Solutions Operating, LLC. All rights reserved.

Industrial Flow Solutions Operating, LLC • 104 John W Murphy Drive, New Haven, CT 06513, USA
(860) 631-3618 • www.flowsolutions.com



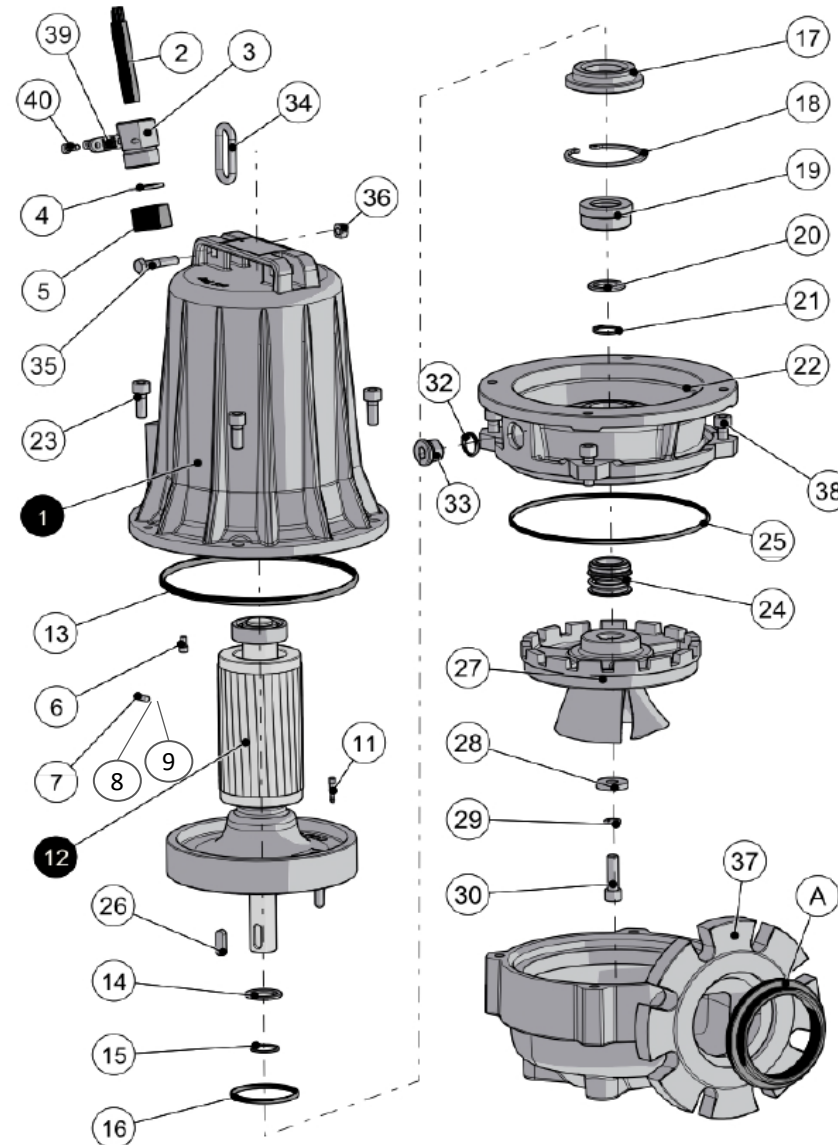
SUB ASSEMBLIES

			Pump Model					
Pos.	Part Description	Qty ¹	A2-15	A2-22	A2-41	A2-56	A2-75	A2-97
[+] MOTOR CASING Pack			6100455116	6100455124	6100530016	6100622115	6100622116	6100622124
1	Motor Casing	1	51004551	51004551	51005300	51006221	51006221	51006221
2	Stator - 3PH	1	3520340210	3520360220	3520600220	3520700215	3520740210	3520760215
3	Oring	1	7210660	7210660	7210260	7210300	7210300	7210300
[+] MOTOR SHAFT Pack			6010444015	6010444020	6010555010	6010666005	6010666010	6010666020
1	Intermediate Flange	1	33404460	33404460	33405310	33406300	33406300	33406300
3	Seal Leak Detector w/ Oring	1	6250222010	6250222010	6250222010	6250222010	6250222010	6250222010
4	Lower Bearing	1	7703100	7703100	7703120	7703160	7703160	7703160
5	Rotor + Shaft	1	4010444015	4010444020	4010555010	4010666005	4010666010	4010666020
6	Upper Bearing	1	7706420	7706420	7706480	7706520	7706520	7706520

©2024 Industrial Flow Solutions Operating, LLC. All rights reserved.

Industrial Flow Solutions Operating, LLC • 104 John W Murphy Drive, New Haven, CT 06513, USA

(860) 631-3618 • www.flowsolutions.com



©2024 Industrial Flow Solutions Operating, LLC. All rights reserved.

Industrial Flow Solutions Operating, LLC • 104 John W Murphy Drive, New Haven, CT 06513, USA
(860) 631-3618 • www.flowsolutions.com



Dwg:

DS-C43-001

Rev:

1

Date:

4/5/2024

Pump Model

Pos.	Part Description	Qty ¹	Pump Model					
			A4-15	A4-22	A4-30	A4-41	A4-56	A4-75
01	[+] MOTOR CASING Pack	1	6100455138	6100530020	6100530022	6100622128	6100622130	6100622136
02	Cable	1	206039	206039	206039	206039	206040	206040
03	Cable Gland	1	43005092	07316100EX	07316100EX	07310220	07310220	07310220
04	Washer	1	06508240	06508240	06508240	06508260	06508260	06508260
05	Cable Grommet	1	07316100	07316100	07316100	07316130	07316130	07316130
06	Screw	1	07007160	07007160	07007160	07007160	07007160	07007160
07	Terminal blue cap	#	08201120	08201120	08201120	08201120	08201120	08201120
08	Terminal white cap	#	08201110	08201110	08201110	08201110	08201110	08201110
09	Terminal yellow cap	#	---	08201130	08201130	---	---	---
11	RF Connector	1	08202100	08202100	08202100	08202100	08202100	08202100
12	[+] MOTOR SHAFT Pack	1	6010444035	6010555015	6010555020	6010666025	6010666030	6010666035
13	Oring	1	07210980	07211460	07211460	07211500	07211500	07211500
14	AVP Ring	1	06001100	06001120	06001120	06001160	06001160	06001160
15	Retaining Ring	1	06100140	06100160	06100160	06100200	06100200	06100200
16	Oring	1	07210280	07210700	07210700	07210340	07210340	07210340
17	Locking Ring	1	32804470	32805320	32805320	32806310	32806310	32806310
18	Retaining Ring	1	06100540	06100560	06100560	06100580	06100580	06100580
19	Upper Mechanical Seal	1	10011223	10011224	10011224	10011225	10011225	10011225
20	AVP Ring	1	06001100	06001120	06001120	06001160	06001160	06001160
21	Retaining Ring	1	06100140	06100160	06100160	06100200	06100200	06100200
22	Oil Chamber	#	33604630	33605050	33605050	33606070	33606070	33606070
23	Screw	#	07007520	07007680	07007680	07007760	07007760	07007760
24	Lower Mechanical Seal	1	07508180	07508160	07508160	07508150	07508150	07508150
25	Oring	1	07211220	07211260	07211260	07211280	07211280	07211280
26	Shaft Key	1	06406180	06406220	06406220	06406240	06406240	06406240
27	Impeller	1	43004671	43005141	43005092	43006091	43006092	43006093
28	Washer	1	06507100	06508100	06508100	06508120	06508120	06508120

1 - Some quantities vary per model

©2024 Industrial Flow Solutions Operating, LLC. All rights reserved.

Industrial Flow Solutions Operating, LLC • 104 John W Murphy Drive, New Haven, CT 06513, USA
(860) 631-3618 • www.flowsolutions.com



Pump Model

Pos.	Part Description	Qty ¹	A4-15	A4-22	A4-30	A4-41	A4-56	A4-75
29	Spring Washer	1	06605140	06605160	06605160	06605170	06605170	06605170
30	Screw	1	07007520	07007700	07007700	07007780	07007780	07007780
32	Oring	1	07210184	07210184	07210184	07210184	07210184	07210184
33	Oil Cap	1	06700100	06700100	06700100	06700100	06700100	06700100
34	Chain Ring	1	06002100	06002120	06002120	06002120	06002120	06002120
35	Screw	1	07007540	07007540	07007540	07007560	07007560	07007560
36	Self locking Nut	1	06206100	06206100	06206100	06206100	06206100	06206100
37	Volute	1	31804650	31805370	31805370	31806170	31806170	31806170
38	Screw	4	07007680	07007680	07007680	07007760	07007760	07007760
39	Cable Gland Tab	1	06404120	06404120	06404120	06404160	06404160	06404160
40	Screw	2	07007240	07007240	07007240	07007240	07007240	07007240
A	Discharge Seal	1	07204120	07204120	07204120	07204140	07204140	07204160

1 - Some quantites vary per model

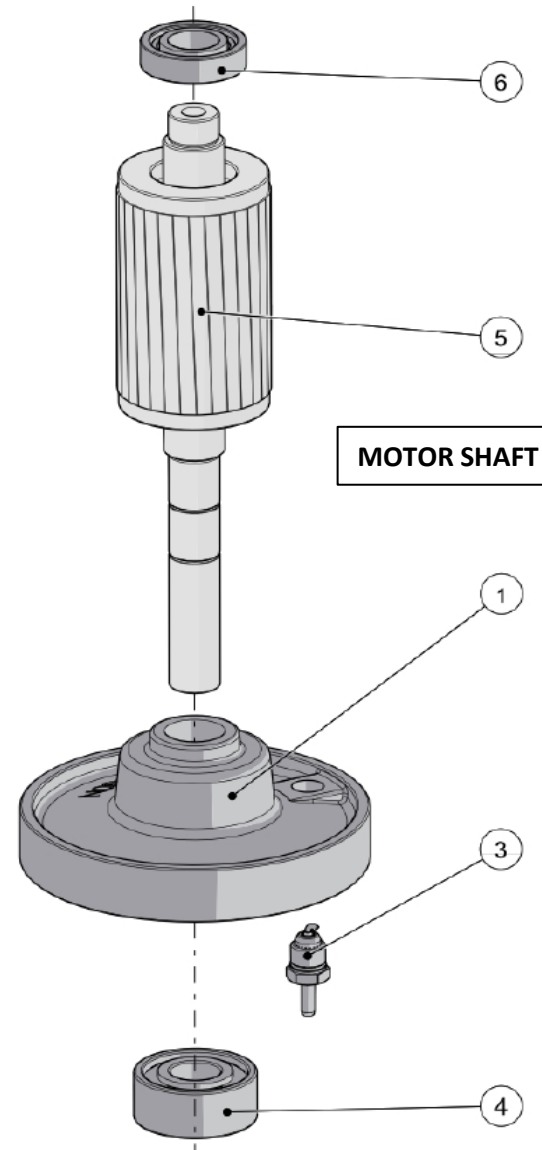
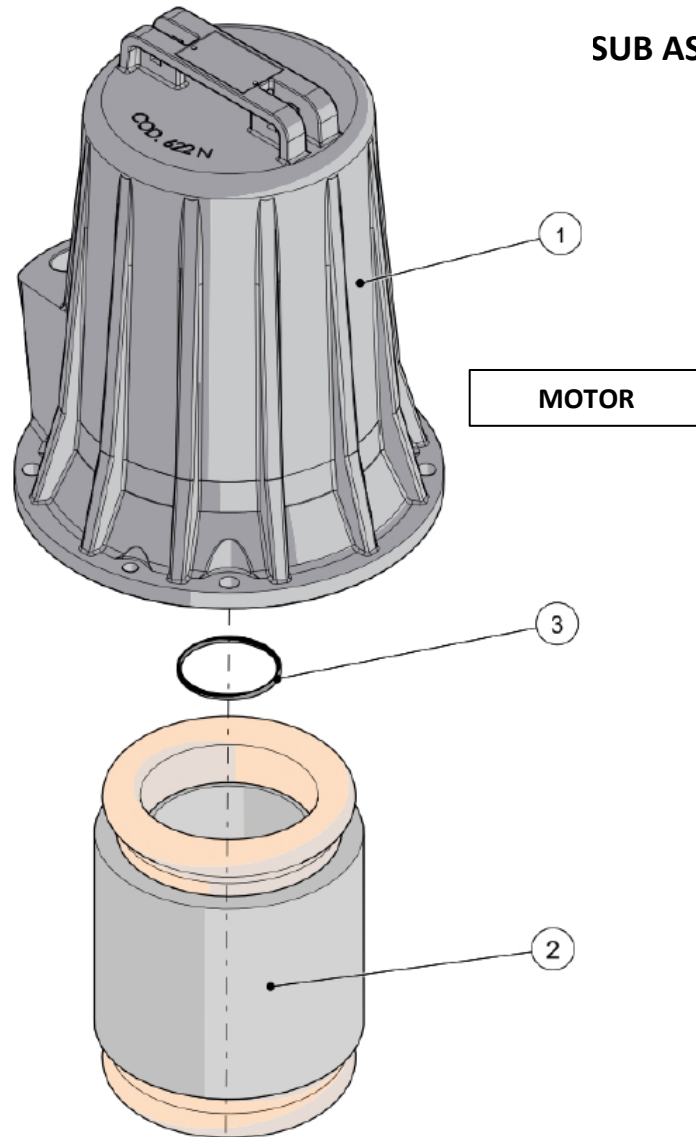
©2024 Industrial Flow Solutions Operating, LLC. All rights reserved.

Industrial Flow Solutions Operating, LLC • 104 John W Murphy Drive, New Haven, CT 06513, USA

(860) 631-3618 • www.flowsolutions.com



SUB ASSEMBLIES



©2024 Industrial Flow Solutions Operating, LLC. All rights reserved.

Industrial Flow Solutions Operating, LLC • 104 John W Murphy Drive, New Haven, CT 06513, USA
(860) 631-3618 • www.flowsolutions.com



SUB ASSEMBLIES

Pos.	Part Description	Qty ¹	Pump Model					
			A4-15	A4-22	A4-30	A4-41	A4-56	A4-75
	[+] MOTOR CASING Pack		6100455138	6100530020	6100530022	6100622128	6100622130	6100622136
1	Motor Casing	1	51004551	51005300	51005300	51006221	51006221	51006221
2	Stator - 3PH	1	3520420220	3520640215	3520660210	3520800215	3520820210	3520840215
3	Oring	1	07210660	07210260	07210260	07210300	07210300	07210300
	[+] MOTOR SHAFT Pack		6010444035	6010555015	6010555020	6010666025	6010666030	6010666035
1	Intermediate Flange	1	33404460	33405310	33405310	33406300	33406300	33406300
3	Seal Leak Detector w/ Oring	1	6250222010	6250222010	6250222010	6250222010	6250222010	6250222010
4	Lower Bearing	1	07703100	07703120	07703120	07703160	07703160	07703160
5	Rotor + Shaft	1	4010444035	4010555015	4010555020	4010666025	4010666030	4010666035
6	Upper Bearing	1	07706420	07706480	07706480	07706520	07706520	07706520

©2024 Industrial Flow Solutions Operating, LLC. All rights reserved.

Industrial Flow Solutions Operating, LLC • 104 John W Murphy Drive, New Haven, CT 06513, USA

(860) 631-3618 • www.flowsolutions.com