

©2023 Industrial Flow Solutions Operating, LLC. All rights reserved.

Industrial Flow Solutions Operating, LLC • 104 John W Murphy Drive, New Haven, CT 06513, USA

(860) 631-3618 • www.flowsolutions.com



Dwg:

DS-C56-001

Rev:

1

Date:

11/27/2023

Pump Model

Pos.	Part Description	Qty ¹	Pump Model					
			G2-19	G2-22	G2-41	G2-63	G2-78	G2-97
01	[+] MOTOR CASING Pack	1	6100455116	6100455124	6100530016	6100622115	6100622116	6100622124
02	Cable	1	206039	206039	206039	206041	206041	206041
03	Cable Gland	1	07316100EX	07316100EX	07316100EX	07310220	07310220	07316130
04	Washer	1	6508240	6508240	6508240	6508260	6508260	6508260
05	Cable Grommet	1	7316100	7316100	7316100	7316130	7310220	7316130
06	Screw	1	7007160	7007160	7007160	7007160	7007160	7007160
07	Terminal blue cap	#	8201120 (X5)	8201120 (X5)	8201120 (X2)	8201120 (X2)	8201120 (X2)	8201120 (X2)
08	Terminal white cap	#	8201110 (X1)	8201110 (X1)	8201110 (X3)	8201110 (X6)	8201110 (X6)	8201110 (X6)
09	Terminal yellow cap	#	---	---	8201130 (X1)	---	---	---
11	Connector	1	8202100	8202100	8202100	8202100	8202100	8202100
12	[+] MOTOR SHAFT Pack	1	6010444015	6010444020	6010555010	6010666005	6010666010	6010666020
13	Oring	1	7210980	7210980	7211460	7211500	7211500	7211500
14	AVP Ring	1	6001100	6001100	6001120	6001160	6001160	6001160
15	Retaining Ring	1	6100140	6100140	6100160	6100200	6100200	6100200
16	Oring	1	7210280	7210280	7210700	7210340	7210340	7210340
17	Locking Ring	1	32804470	32804470	32805320	32806310	32806310	32806310
18	Retaining Ring	1	6100540	6100540	6100560	6100580	6100580	6100580
19	Upper Mechanical Seal	1	10011223	10011223	10011224	10011225	10011225	10011225
20	AVP Ring	1	6001100	6001100	6001120	6001160	6001160	6001160
21	Retaining Ring	1	6100140	6100140	6100160	6100200	6100200	6100200
22	Pump Body	1	31204511	31204511	31205540	31206601	31206601	31206601
23	Screw	4	7007520	7007520	7007680	7007760	7007760	7007760
24	Lower Mechanical Seal	1	7508180	7508180	7502120	7508150	7508150	7508150
25	Shaft Key	1	6406180	6406180	6406220	6406240	6406240	6406240
26	Impeller	1	43004504	43004503	43005574	43006575	43006574	43006573
27	Closing Plate	1	31404521	31404521	31405560	31406560	31406560	31406560
28	Oring	1	7210980	7210980	7211160	7211200	7211200	7211200

1 - Some quantities vary per model

©2023 Industrial Flow Solutions Operating, LLC. All rights reserved.

Industrial Flow Solutions Operating, LLC • 104 John W Murphy Drive, New Haven, CT 06513, USA
(860) 631-3618 • www.flowsolutions.com



Pump Model

Pos.	Part Description	Qty ¹	Pump Model					
			G2-19	G2-22	G2-45	G2-63	G2-78	G2-97
29	Screw	#	6402120 (X4)	6402120 (X4)	6402120 (X6)	6402120 (X6)	6402120 (X6)	6402120 (X6)
30	Spring Washer	#	6605140 (X4)	6605140 (X4)	6605140 (X6)	6605160 (X6)	6605160 (X6)	6605160 (X6)
31	Screw	#	7007500 (X4)	7007500 (X4)	7007500 (X6)	7007660 (X6)	7007660 (X6)	7007660 (X6)
32	Cutter Kit	1	10011242	10011242	10011243	10011244	10011244	10011244
33	Spring Washer	2	6605140	6605140	6605160	6605160	6605160	6605160
34	Screw	2	7007480	7007480	7007660	7007660	7007660	7007660
35	Pin	2	6108100	6108100	6108120	6108140	6108140	6108140
37	Spring Washer	1	6605140	6605140	6605160	6605170	6605170	6605170
38	Screw	1	7007580	7007600	7007720	7007820	7007820	7007820
40	Oring	1	7210184	7210184	7210184	7210184	7210184	7210184
41	Oil Cap	1	6700100	6700100	6700100	6700100	6700100	6700100
42	Chain Ring	1	6002100	6002100	6002120	6002120	6002120	6002120
43	Screw	1	7007540	7007540	7007540	7007560	7007560	7007560
44	Self Locking Nut	1	6206100	6206100	6206100	6206100	6206100	6206100
45	Cable Gland	1	6404120	6404120	6404120	6404160	6404160	6404160
46	Screw	2	7007240	7007240	7007240	7007240	7007240	7007240

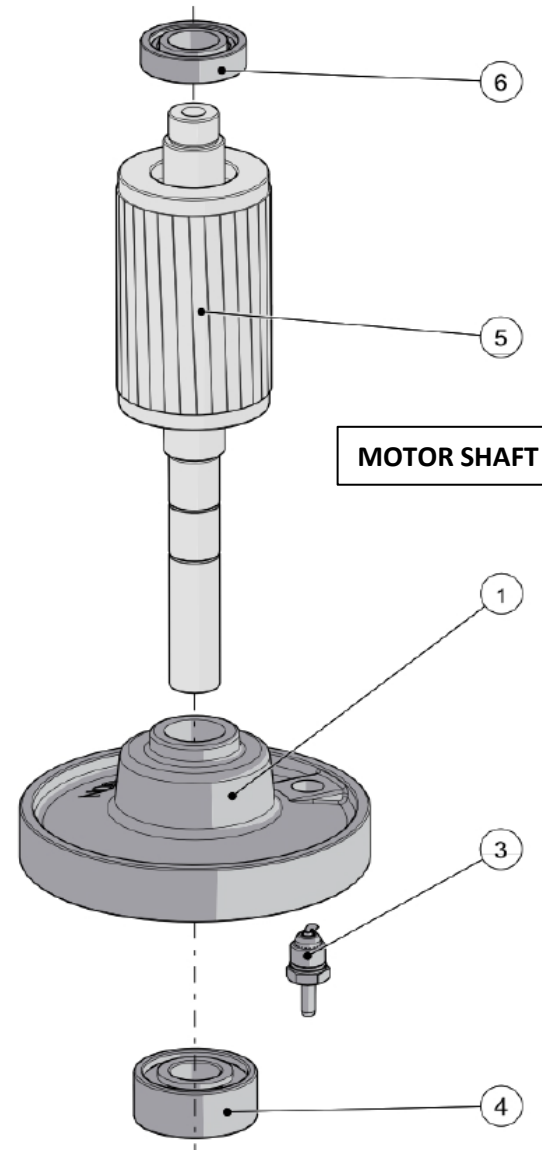
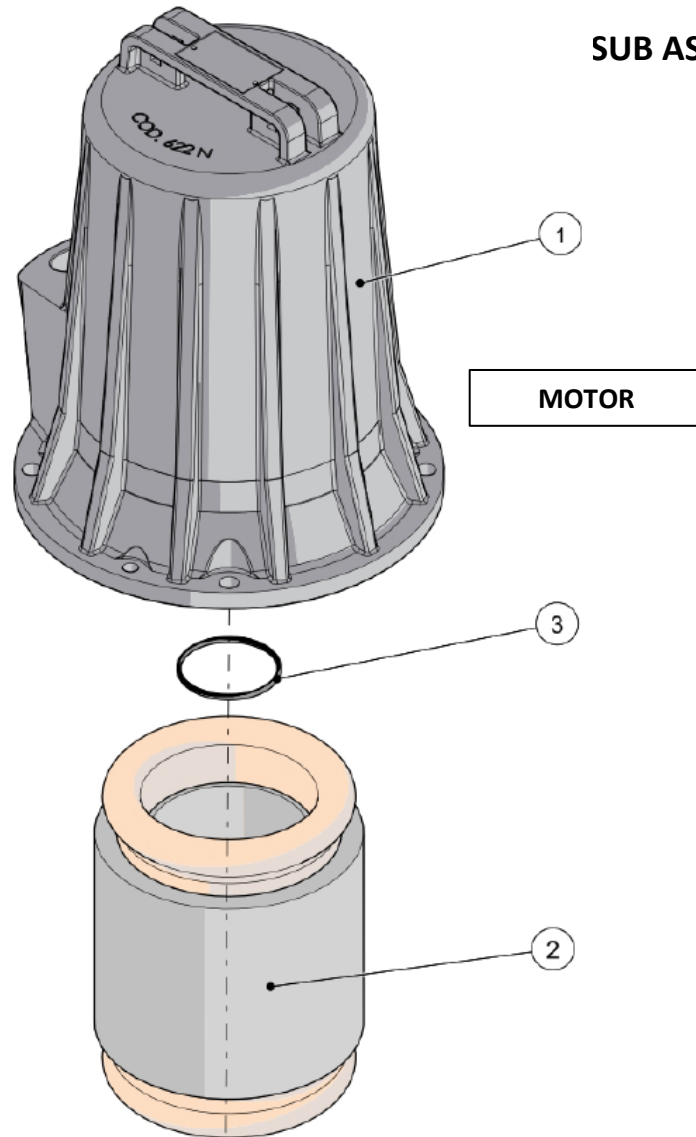
1 - Some quantities vary per model

©2023 Industrial Flow Solutions Operating, LLC. All rights reserved.

Industrial Flow Solutions Operating, LLC • 104 John W Murphy Drive, New Haven, CT 06513, USA
(860) 631-3618 • www.flowsolutions.com



SUB ASSEMBLIES



©2023 Industrial Flow Solutions Operating, LLC. All rights reserved.

Industrial Flow Solutions Operating, LLC • 104 John W Murphy Drive, New Haven, CT 06513, USA
(860) 631-3618 • www.flowsolutions.com



SUB ASSEMBLIES

			Pump Model					
Pos.	Part Description	Qty ¹	G2-19	G2-22	G2-45	G2-63	G2-78	G2-97
[+] MOTOR CASING Pack			6100455116	6100455124	6100530016	6100622115	6100622116	6100622124
1	Motor Casing	1	51004551	51004551	51005300	51006221	51006221	51006221
2	Stator - 3PH	1	3520340210	3520360220	3520600220	3520700215	3520740210	3520760215
3	Oring	1	07210660	07210660	07210260	07210300	07210300	07210300
[+] MOTOR SHAFT Pack			6010444015	6010444020	6010555010	6010666005	6010666010	6010666020
1	Intermediate Flange	1	33404460	33404460	33405310	33406300	33406300	33406300
3	Seal Leak Detector w/ Oring	1	6250222010	6250222010	6250222010	6250222010	6250222010	6250222010
4	Lower Bearing	1	07703100	07703100	07703120	07703160	07703160	07703160
5	Rotor + Shaft	1	4010444015	4010444020	4010555010	4010666005	4010666010	4010666020
6	Upper Bearing	1	07706420	07706420	07706480	07706520	07706520	07706520

©2023 Industrial Flow Solutions Operating, LLC. All rights reserved.

Industrial Flow Solutions Operating, LLC • 104 John W Murphy Drive, New Haven, CT 06513, USA

(860) 631-3618 • www.flowsolutions.com