



Dwg:

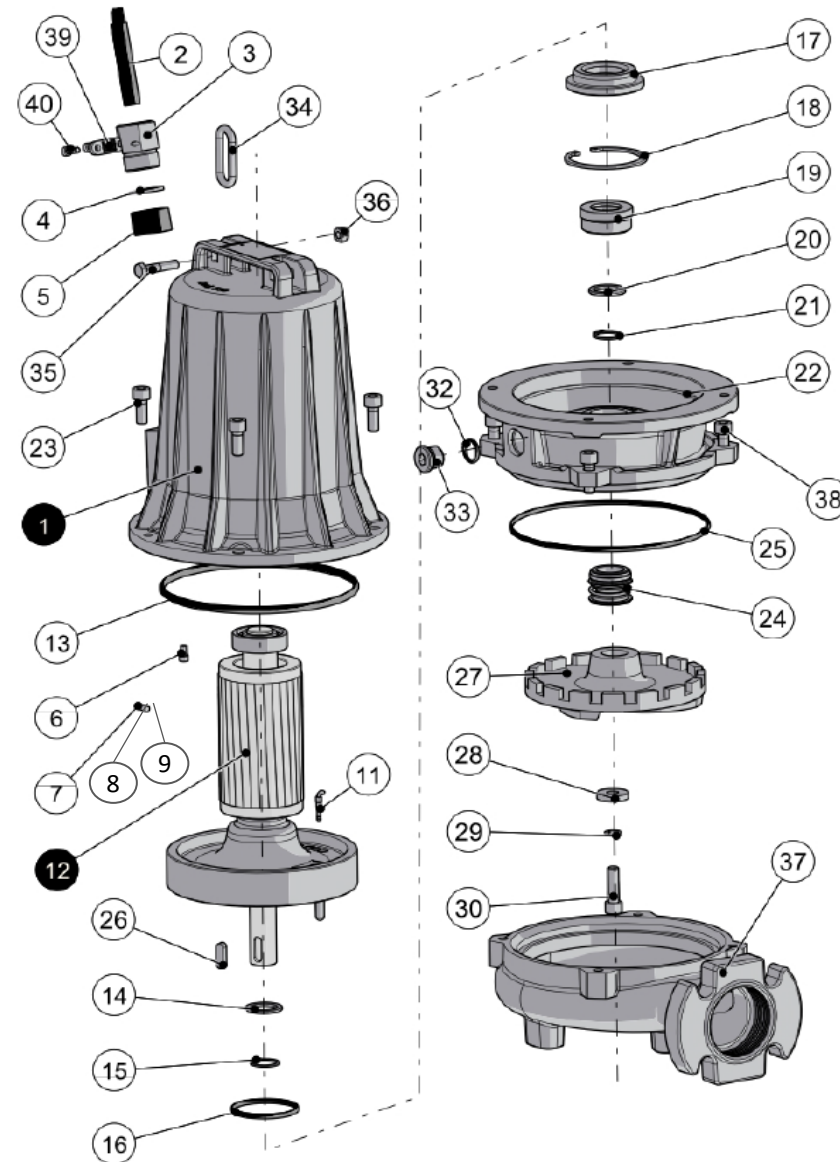
DS-C59-001

Rev:

1

Date:

12/26/2023



©2023 Industrial Flow Solutions Operating, LLC. All rights reserved.

Industrial Flow Solutions Operating, LLC • 104 John W Murphy Drive, New Haven, CT 06513, USA  
(860) 631-3618 • [www.flowsolutions.com](http://www.flowsolutions.com)



**Dwg:**

DS-C59-001

**Rev:**

1

**Date:**

12/26/2023

**Pump Model**

Pos.	Part Description	Qty <sup>1</sup>	H2-15	H2-22	H2-41	H2-56	H2-75	H2-98
01	[+] MOTOR CASING Pack	1	6100455116	6100455124	6100530016	6100622115	6100622116	6100622124
02	Cable	1	206039	206039	206039	206041	206041	206041
03	Cable Gland	1	07316100EX	07316100EX	07316100EX	07316130	07316130	07316130
04	Washer	1	6508240	6508240	6508240	6508260	6508260	6508260
05	Cable Grommet	1	7316100	7316100	7316100	7316130	7316130	7316130
06	Screw	1	7007160	7007160	7007160	7007160	7007160	7007160
07	Terminal blue cap	#	8201120 (X5)	8201120 (X5)	8201120 (X2)	8201120 (X2)	8201120 (X2)	8201120 (X2)
08	Terminal white cap	#	8201110 (X1)	8201110 (X1)	8201110 (X3)	8201110 (X6)	8201110 (X6)	8201110 (X6)
09	Terminal yellow cap	#	---	---	8201130 (X1)	---	---	---
11	Connector	1	8202100	8202100	8202100	8202100	8202100	8202100
12	[+] MOTOR SHAFT Pack	1	6010444015	6010444020	6010555010	6010666005	6010666010	6010666020
13	Oring	1	7210980	7210980	7211460	7211500	7211500	7211500
14	AVP Ring	1	6001100	6001100	6001120	6001160	6001160	6001160
15	Retaining Ring	1	6100140	6100140	6100160	6100200	6100200	6100200
16	Oring	1	7210280	7210280	7210700	7210340	7210340	7210340
17	Locking Ring	1	32804470	32804470	32805320	32806310	32806310	32806310
18	Retaining Ring	1	6100540	6100540	6100560	6100580	6100580	6100580
19	Upper Mechanical Seal	1	10011223	10011223	10011224	10011225	10011225	10011225
20	AVP Ring	1	6001100	6001100	6001120	6001160	6001160	6001160
21	Retaining Ring	1	6100140	6100140	6100160	6100200	6100200	6100200
22	Oil Chamber	1	33604590	33604590	33605060	33606060	33606060	33606060
23	Screw	4	7007500	7007500	7007660	7007760	7007760	7007760
24	Lower Mechanical Seal	1	7508180	7508180	7502120	7508150	7508150	7508150
25	Oring	1	7210980	7210980	7211160	7211160	7211160	7211160
26	Shaft Key	1	6406180	6406180	6406220	6406240	6406240	6406240
27	Impeller	1	43004413	43004412	43005412	43006413	43006412	43006411
28	Washer	1	6507100	6507100	6508100	6508120	6508120	6508120

1 - Some quantities vary per model

**©2023 Industrial Flow Solutions Operating, LLC. All rights reserved.**

Industrial Flow Solutions Operating, LLC • 104 John W Murphy Drive, New Haven, CT 06513, USA  
(860) 631-3618 • [www.flowsolutions.com](http://www.flowsolutions.com)



**Pump Model**

Pos.	Part Description	Qty <sup>1</sup>	H2-15	H2-22	H2-41	H2-56	H2-75	H2-98
29	Washer Grower	1	---	6605140	6605160	6605170	6605170	6605170
30	Screw	1	7007520	7007520	7007700	7007780	7007780	7007780
32	Oring	1	7210184	7210184	7210184	7210184	7210184	7210184
33	Oil Cap	1	6700100	6700100	6700100	6700100	6700100	6700100
34	Chain Ring	1	6002100	6002100	6002120	6002120	6002120	6002120
35	Screw	1	7007540	7007540	7007540	7007560	7007560	7007560
36	Self locking Nut	1	6206100	6206100	6206100	6206100	6206100	6206100
37	Volute	1	31804400	31804400	31805400	31806400	31806400	31806400
38	Screw	4	7007500	7007500	7007680	7007760	7007760	7007760
39	Cable Gland Tab	1	6404120	6404120	6404120	6404160	6404160	6404160
40	Screw	2	7007240	7007240	7007240	7007240	7007240	7007240

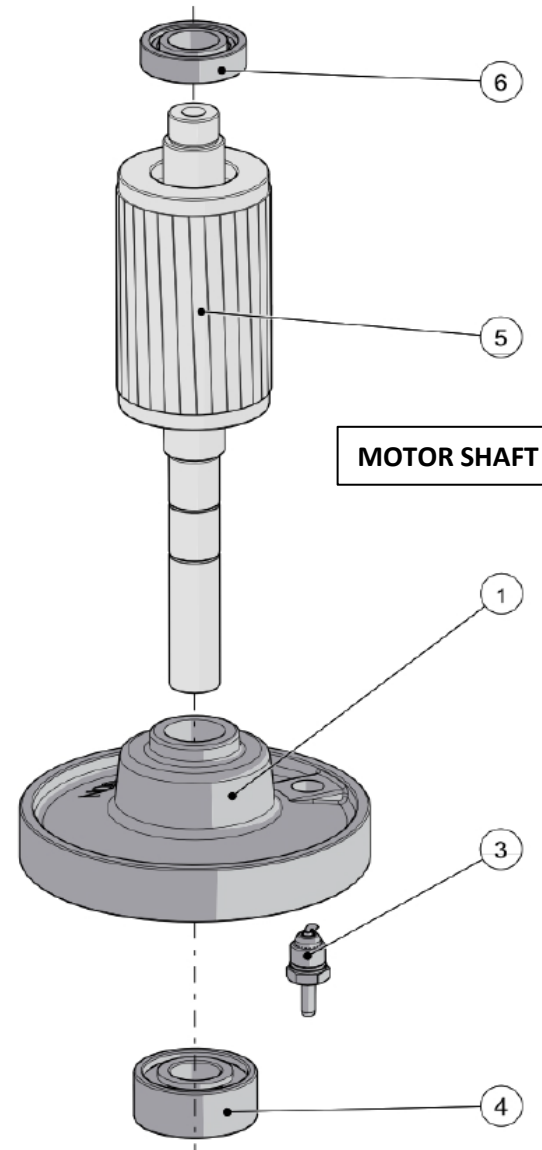
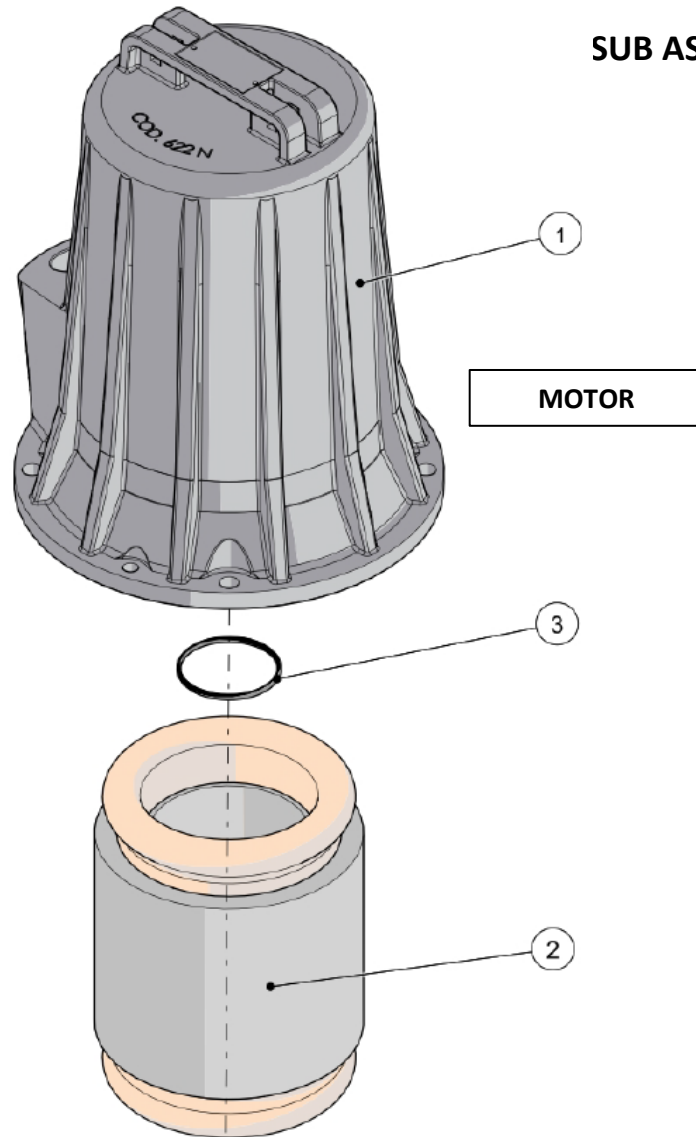
1 - Some quantites vary per model

**©2023 Industrial Flow Solutions Operating, LLC. All rights reserved.**

Industrial Flow Solutions Operating, LLC • 104 John W Murphy Drive, New Haven, CT 06513, USA  
(860) 631-3618 • [www.flowsolutions.com](http://www.flowsolutions.com)



SUB ASSEMBLIES



©2023 Industrial Flow Solutions Operating, LLC. All rights reserved.

Industrial Flow Solutions Operating, LLC • 104 John W Murphy Drive, New Haven, CT 06513, USA  
(860) 631-3618 • [www.flowsolutions.com](http://www.flowsolutions.com)



**SUB ASSEMBLIES**

			Pump Model					
Pos.	Part Description	Qty <sup>1</sup>	H2-15	H2-22	H2-41	H2-56	H2-75	H2-98
[+] MOTOR CASING Pack			6100455116	6100455124	6100530016	6100622115	6100622116	6100622124
1	Motor Casing	1	51004551	51004551	51005300	51006221	51006221	51006221
2	Stator - 3PH	1	3520340210	3520360220	3520620220	3520700215	3520740210	3520760215
3	Oring	1	7210660	7210660	7210260	7210300	7210300	7210300
[+] MOTOR SHAFT Pack			6010444015	6010444020	6010555010	6010666005	6010666010	6010666020
1	Intermediate Flange	1	33404460	33404460	33405310	33406300	33406300	33406300
3	Seal Leak Detector w/ Oring	1	6250222010	6250222010	6250222010	6250222010	6250222010	6250222010
4	Lower Bearing	1	7703100	7703100	7703120	7703160	7703160	7703160
5	Rotor + Shaft	1	4010444015	4010444020	4010555010	4010666005	4010666010	4010666020
6	Upper Bearing	1	7706420	7706420	7706480	7706520	7706520	7706520

©2023 Industrial Flow Solutions Operating, LLC. All rights reserved.

Industrial Flow Solutions Operating, LLC • 104 John W Murphy Drive, New Haven, CT 06513, USA  
(860) 631-3618 • [www.flowsolutions.com](http://www.flowsolutions.com)