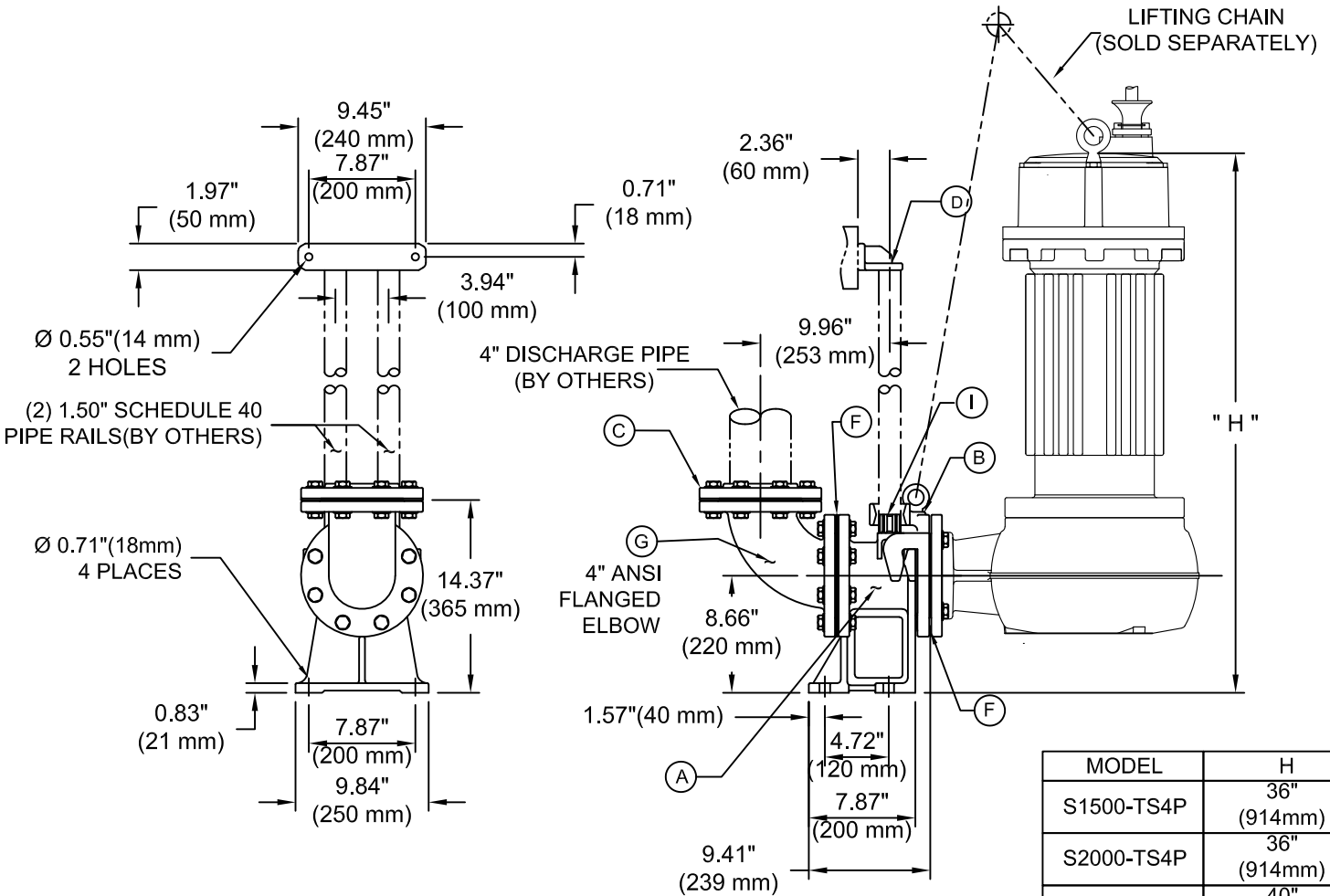
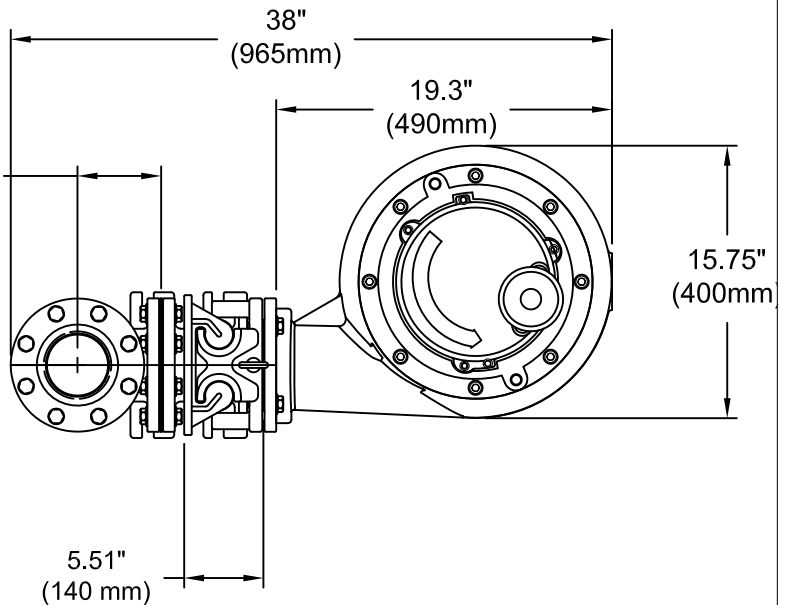
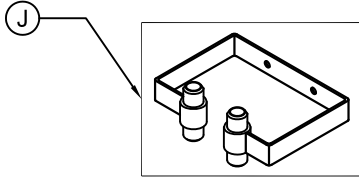


INTERMEDIATE GUIDE RAIL BRACKET - OPTIONAL
(RECOMMENDED INSTALLATION EVERY 8 FT OF RAIL PIPE)



MODEL	H
S1500-TS4P	36" (914mm)
S2000-TS4P	36" (914mm)
S3000-TS4P	40" (1008mm)

SR100-ANSI CAST IRON (4" DISCHARGE)

SRX100SS-ANSI 316 CAST STAINLESS (4" DISCHARGE)

