



LIST OF PARTS

Trash Vortex Pumps S1500-TS4P

Drawing Number: DS-A24-008

Rev: 1

Date: 3/15/2017

Position	Stancor Part #	Description	Qty.
1	41194	Screw	3
2	41181-2	Lock Washer	3
3	152-002-1-CI1	Stand	1
4	411-016-1-SS1	Screw	4
5	150-004-1-SS1	Strainer	1
7	330-002-1-NP2	Discharge Gasket	1
8	161-001-1-CI2	Discharge Elbow	1
9	411-015-1-SS1	Screw	4
10	111-001-1-CI2	Volute	1
11	422-001-1-SS1	Washer	4
12	431-001-1-SS1	Nut	4
13	425-001-1-SS4	Impeller washer	1
14	411-018-1-SS1	Screw	1
15	41181-2	Lock Washer	1
16	440-004-1-SS3	Key	1
17	122-003-1-CI2	Impeller	1
-	122-004-1-CI2	Impeller (optional)	-
18	310-003-1-XX2	Lower Seal Assembly	1
19	411-014-1-SS1	Screw	3
20	40115	Dubo Ring	3
21	213-004-1-SS2	Lower Seal Housing	1
22	320-012-1-BN1	O-Ring	1
23	453-003-1-CS1	Retaining Ring	1
24	421-007-1-SS1	Support Washer	1
25	31620	Upper Seal Assembly	1
26	320-013-1-BN1	O-Ring	1
27	40117	Dubo Ring	2
28	40216	Screw	2
29	40221	Screw	6
30	40218-1	Lock Washer	6
31	213-003-1-DI1	Upper Seal Housing	1
32	320-011-1-BN1	O-Ring	1
33	41375	Lock Washer	6
34	411-013-1-SS1	Screw	6
35	41278	Lip Seal	1
36	453-005-1-SS5	Spiral Ring	1
37	41185-1	Lower Bearing	1
38	211-004-1-CI1P1	Motor Housing	1
39	240-005-1-XXX	Stator	1
40	230-005-1-XXX	Rotor Assembly	1
42	30813	Nameplate	1
43	41199	Rivet	4
44	40268-1	Upper Bearing	1
45	41180	O-Ring	1
46	30821	Bearing Cover	1



LIST OF PARTS

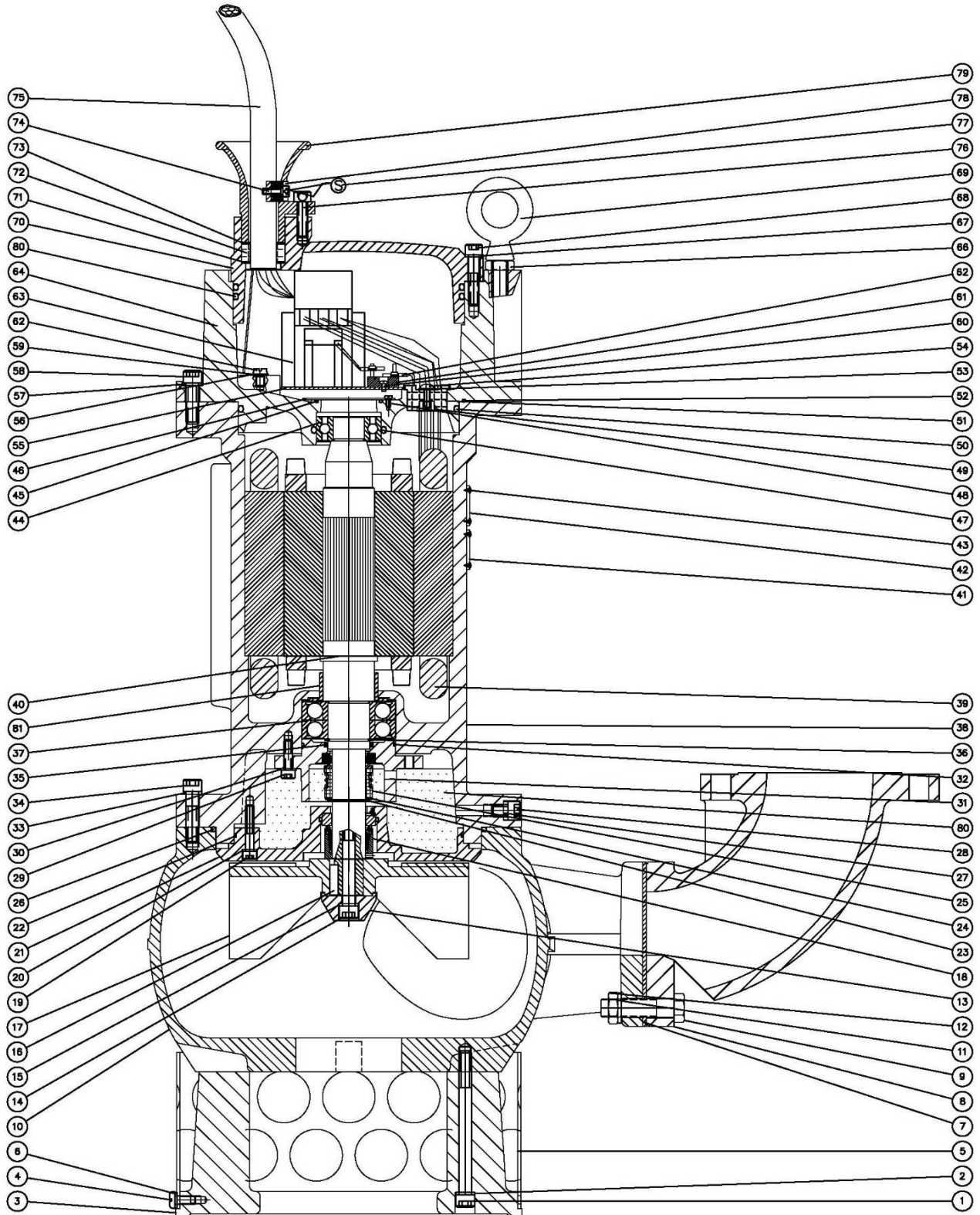
Trash Vortex Pumps S1500-TS4P

Drawing Number: DS-A24-008

Rev: 1

Date: 3/15/2017

Position	Stancor Part #	Description	Qty.
47	41190	O-Ring	1
48	40208	Screw	3
49	434-001-1-ZN1	Tee Nut	1
50	41192	O-Ring	1
51	31573	Stator Lead Grommet	1
52	40181	O-Ring	1
53	31573-2	Washer	1
54	411-017-1-S1	Screw	1
55	31576-1	Contacto Plate	1
56	721-002-1-XXX	Ring Terminal	3
57	41181-2	Lockwasher	8
58	41203-1	Screw	8
59	30724-1	Washer	3
60	40208	Screw	1
61	30400	Terminal block	1
62	41203	Screw	3
63	55015/460	Contacto	1
64	212-004-1-CI1P1	Upper Bearing Housing	1
65	721-001-1-XXX	Connector for thermal	3
66	431-002-1-SS1	Nut	2
67	41372	Lock Washer	3
68	411-019-1-SS1	Screw	3
69	224-003-1-SS1	Lifting Lug	2
70	223-002-1-CI1P1	Top Cover	1
71	31556	Washer S.S.	1
72	31457	Cable Gland	1
73	31555	Washer Nylon	1
74	31418	Strain Relief Clamp, Screw	2
75	6/3G-GC	Cable (Feet)	50
76	31449	Screw	2
77	CB-817	Lock Wire	2
78	30779	Strain Relief Clamp,	1
79	620-002-1-SS1	Cable Entry	1
80	41192	O Ring	2
81	830-001-1-OIL	Motor Oil (Quarts)	2.4
82	31380	Shield	1
83	402117	Screw	2
84	414-003-1-PL2	Plastic Plug	2





LIST OF PARTS

Trash Vortex Pumps S2000-TS4P

Drawing Number: DS-A24-009

Rev: 1

Date: 3/15/2017

Position	Stancor Part #	Description	Qty.
1	41194	Screw	3
2	41181-2	Lock Washer	3
3	152-002-1-CI1	Stand	1
4	411-016-1-SS1	Screw	4
5	150-004-1-SS1	Strainer	1
7	330-002-1-NP2	Discharge Gasket	1
8	161-001-1-CI2	Discharge Elbow	1
9	411-015-1-SS1	Screw	4
10	111-001-1-CI2	Volute	1
11	422-001-1-SS1	Washer	4
12	431-001-1-SS1	Nut	4
13	425-001-1-SS4	Impeller washer	1
14	411-018-1-SS1	Screw	1
15	41181-2	Lock Washer	1
16	440-004-1-SS3	Key	1
17	122-002-1-CI2	Impeller	1
-	122-003-1-CI2	Impeller (optional)	-
18	310-003-1-XX2	Lower Seal Assembly	1
19	411-014-1-SS1	Screw	3
20	40115	Dubo Ring	3
21	213-004-1-SS2	Lower Seal Housing	1
22	320-012-1-BN1	O-Ring	1
23	453-003-1-CS1	Retaining Ring	1
24	421-007-1-SS1	Support Washer	1
25	31620	Upper Seal Assembly	1
26	320-013-1-BN1	O-Ring	1
27	40117	Dubo Ring	2
28	40216	Screw	2
29	40221	Screw	6
30	40218-1	Lock Washer	6
31	213-003-1-DI1	Upper Seal Housing	1
32	320-011-1-BN1	O-Ring	1
33	41375	Lock Washer	6
34	411-013-1-SS1	Screw	6
35	41278	Lip Seal	1
36	453-005-1-SS5	Spiral Ring	1
37	41185-1	Lower Bearing	1
38	211-004-1-CI1P1	Motor Housing	1
39	240-004-1-XXX	Stator	1
40	230-004-1-XXX	Rotor Assembly	1
42	30813	Nameplate	1
43	41199	Rivet	4
44	40268-1	Upper Bearing	1
45	41180	O-Ring	1
46	30821	Bearing Cover	1



LIST OF PARTS

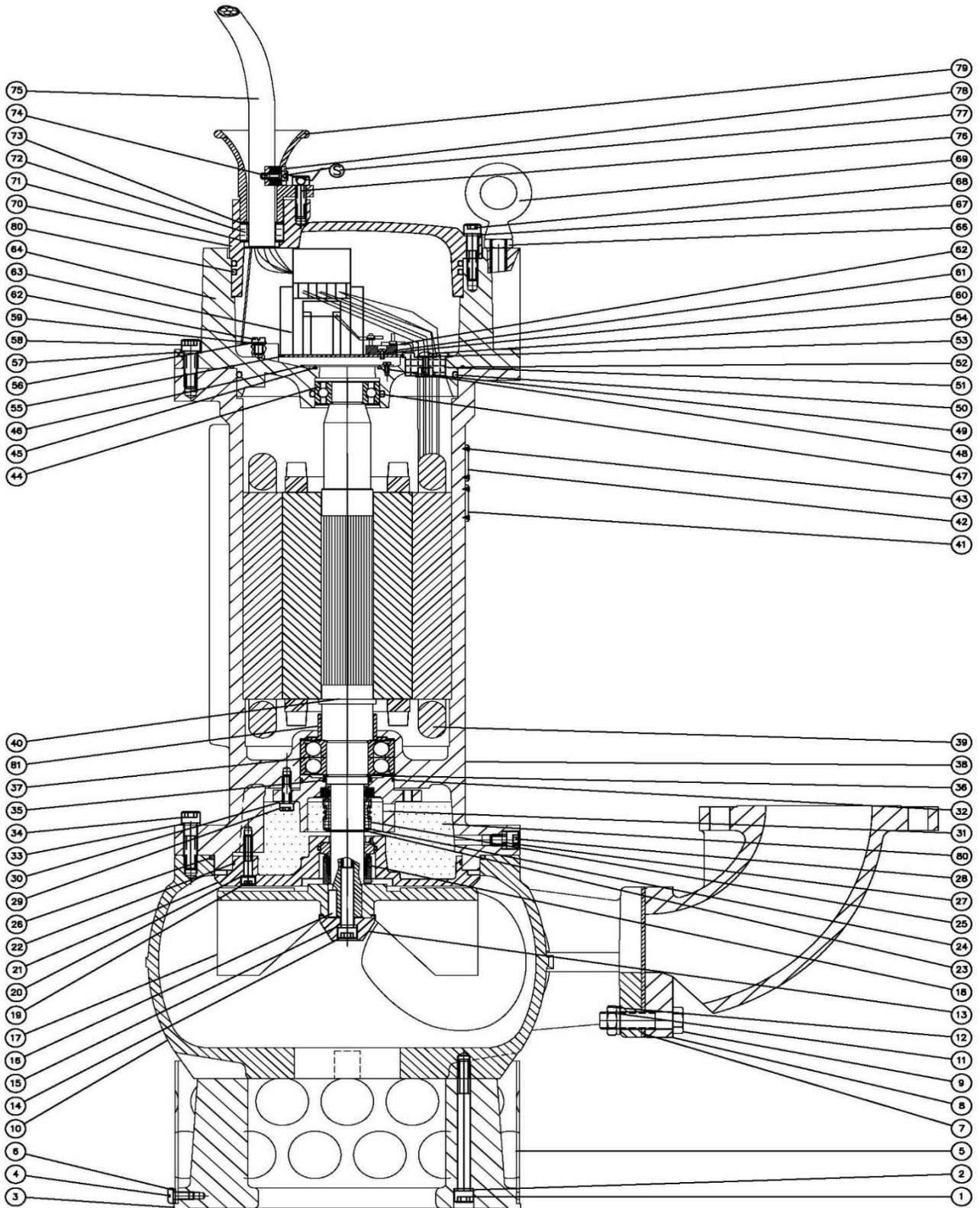
Trash Vortex Pumps S2000-TS4P

Drawing Number: DS-A24-009

Rev: 1

Date: 3/15/2017

Position	Stancor Part #	Description	Qty.
47	41190	O-Ring	1
48	40208	Screw	3
49	434-001-1-ZN1	Tee Nut	1
50	41192	O-Ring	1
51	31573	Stator Lead Grommet	1
52	40181	O-Ring	1
53	31573-2	Washer	1
54	411-017-1-S1	Screw	1
55	31576-1	Contactator Plate	1
56	721-002-1-XXX	Ring Terminal	3
57	41181-2	Lockwasher	8
58	41203-1	Screw	8
59	30724-1	Washer	3
60	40208	Screw	1
61	30400	Terminal block	1
62	41203	Screw	3
63	55015/460	Contactator	1
64	212-004-1-CI1P1	Upper Bearing Housing	1
65	721-001-1-XXX	Connector for thermal	3
66	431-002-1-SS1	Nut	2
67	41372	Lock Washer	3
68	411-019-1-SS1	Screw	3
69	224-003-1-SS1	Lifting Lug	2
70	223-002-1-CI1P1	Top Cover	1
71	31556	Washer S.S.	1
72	31457	Cable Gland	1
73	31555	Washer Nylon	1
74	31418	Strain Relief Clamp, Screw	2
75	6/3G-GC	Cable (Feet)	50
76	31449	Screw	2
77	CB-817	Lock Wire	2
78	30779	Strain Relief Clamp,	1
79	620-002-1-SS1	Cable Entry	1
80	41192	O Ring	2
81	830-001-1-OIL	Motor Oil (Quarts)	2.4
82	31380	Shield	1
83	402117	Screw	2
84	414-003-1-PL2	Plastic Plug	2





LIST OF PARTS

Trash Vortex Pumps S3000-TS4P

Drawing Number: DS-A24-010

Rev: 1

Date: 3/15/2017

Position	Stancor Part #	Description	Qty.
1	41194	Screw	3
2	41181-2	Lock Washer	3
3	152-002-1-CI1	Stand	1
4	411-016-1-SS1	Screw	4
5	150-004-1-SS1	Strainer	1
7	330-002-1-NP2	Discharge Gasket	1
8	161-001-1-CI2	Discharge Elbow	1
9	411-015-1-SS1	Screw	4
10	111-001-1-CI2	Volute	1
11	422-001-1-SS1	Washer	4
12	431-001-1-SS1	Nut	4
13	425-001-1-SS4	Impeller washer	1
14	411-018-1-SS1	Screw	1
15	41181-2	Lock Washer	1
16	440-004-1-SS3	Key	1
17	122-001-1-CI2	Impeller	1
-	122-002-1-CI2	Impeller (optional)	-
18	310-003-1-XX2	Lower Seal Assembly	1
19	411-014-1-SS1	Screw	3
20	40115	Dubo Ring	3
21	213-004-1-SS2	Lower Seal Housing	1
22	320-012-1-BN1	O-Ring	1
23	453-003-1-CS1	Retaining Ring	1
24	421-007-1-SS1	Support Washer	1
25	31620	Upper Seal Assembly	1
26	320-013-1-BN1	O-Ring	1
27	40117	Dubo Ring	2
28	40216	Screw	2
29	40221	Screw	6
30	40218-1	Lock Washer	6
31	213-003-1-DI1	Upper Seal Housing	1
32	320-011-1-BN1	O-Ring	1
33	41375	Lock Washer	6
34	411-013-1-SS1	Screw	6
35	41278	Lip Seal	1
36	453-005-1-SS5	Spiral Ring	1
37	41185-1	Lower Bearing	1
38	211-003-1-CI1P1	Motor Housing	1
39	240-003-1-XXX	Stator	1
40	230-003-1-XXX	Rotor Assembly	1
42	30813	Nameplate	1
43	41199	Rivet	4
44	40268-1	Upper Bearing	1
45	41180	O-Ring	1
46	30821	Bearing Cover	1



LIST OF PARTS

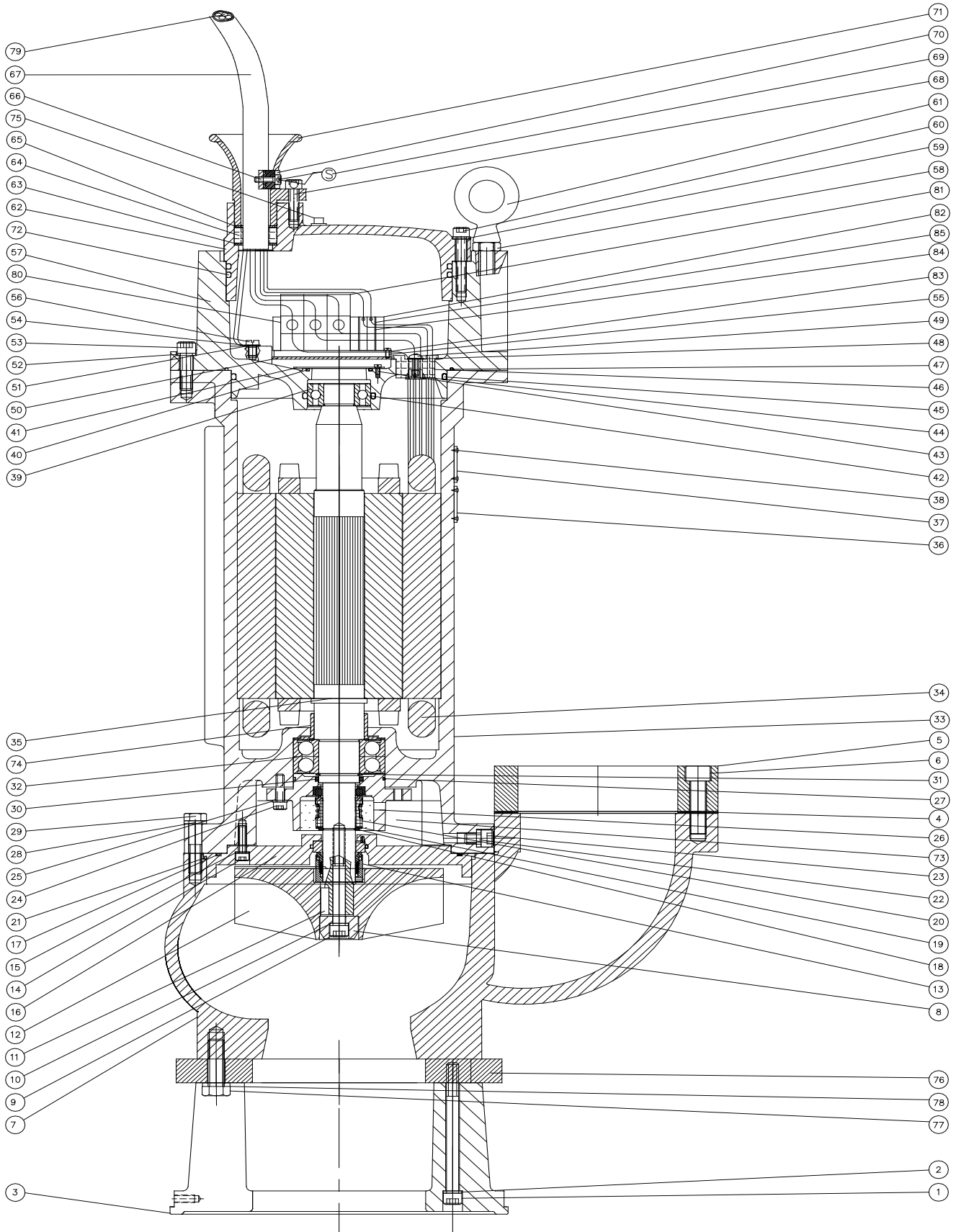
Trash Vortex Pumps S3000-TS4P

Drawing Number: DS-A24-010

Rev: 1

Date: 3/15/2017

Position	Stancor Part #	Description	Qty.
47	41190	O-Ring	1
48	40208	Screw	3
49	434-001-1-ZN1	Tee Nut	1
50	41192	O-Ring	1
51	31573	Stator Lead Grommet	1
52	40181	O-Ring	1
53	31573-2	Washer	1
54	411-017-1-S1	Screw	1
55	31576-1	Contacto Plate	1
56	721-002-1-XXX	Ring Terminal	3
57	41181-2	Lockwasher	8
58	41203-1	Screw	8
59	30724-1	Washer	3
60	40208	Screw	1
61	30400	Terminal block	1
62	41203	Screw	3
63	55015/460	Contacto	1
64	212-004-1-CI1P1	Upper Bearing Housing	1
65	721-001-1-XXX	Connector for thermal	3
66	431-002-1-SS1	Nut	2
67	41372	Lock Washer	3
68	411-019-1-SS1	Screw	3
69	224-003-1-SS1	Lifting Lug	2
70	223-002-1-CI1P1	Top Cover	1
71	31556	Washer S.S.	1
72	31457	Cable Gland	1
73	31555	Washer Nylon	1
74	31418	Strain Relief Clamp, Screw	2
75	6/3G-GC	Cable (Feet)	50
76	31449	Screw	2
77	CB-817	Lock Wire	2
78	30779	Strain Relief Clamp,	1
79	620-002-1-SS1	Cable Entry	1
80	41192	O Ring	2
81	830-001-1-OIL	Motor Oil (Quarts)	2.4
82	31380	Shield	1
83	402117	Screw	2
84	414-003-1-PL2	Plastic Plug	2



Specifications subject to change without notice



LIST OF PARTS

Trash Vortex Pumps S3000-TS4P V6

Drawing Number: DS-A24-040

Rev:

Date: 8/16/2019

Position	Stancor Part #	Description	Qty.
1	41194	Screw	3
2	41181-2	Lock Washer	3
3	152-002-1-CI1	Stand	1
4	330-003-1-NP2	Discharge Gasket	1
5	163-001-1-DI2	Discharge Flange	1
6	411-030-1-SS1	Screw	4
7	111-007-1-DI2	Volute	1
8	425-001-2-SS4	Impeller washer	1
9	411-018-1-SS1	Screw	1
10	41181-2	Lock Washer	1
11	440-004-1-SS3	Key	1
12	122-020-1-DI2	Impeller	1
13	310-003-1-XX2	Lower Seal Assembly	1
14	CE-111	Screw	3
15	40115	Dubo Ring	3
16	213-031-1-SS2	Lower Seal Housing	1
17	320-020-1-BN1	O-Ring	1
18	453-003-1-CS1	Retaining Ring	1
19	421-007-1-SS1	Support Washer	1
20	31620	Upper Seal Assembly	1
21	320-020-1-BN1	O-Ring	1
22	40117	Dubo Ring	2
23	40216	Screw	2
24	40221	Screw	6
25	40218-1	Lock Washer	6
26	213-003-1-DI1	Upper Seal Housing	1
27	320-011-1-BN1	O-Ring	1
28	422-002-1-SS1	Lock Washer	8
29	411-029-1-SS1	Screw	8
30	41278	Lip Seal	1
31	453-005-1-SS5	Retaining Ring	1
32	41185-1	Lower Bearing	1
33	211-003-2-CI1P1	Motor Housing	1
34	240-003-1-480	Stator	1
-	240-003-1-600	Stator	1
35	230-003-1-XXX	Rotor Assembly	1
36	CE-112	MSHA Tag	1
37	30813	Nameplate	1
38	41199	Rivet	8
39	40268-1	Upper Bearing	1
40	41180	O-Ring	1
41	30821	Bearing Cover	1
42	41190	O-Ring	1
43	40208	Screw	3
44	434-001-1-GS1	Tee Nut	1
45	41192	O-Ring	1
46	31573	Stator Lead Grommet	1
47	40181	O-Ring	1
48	31573-2	Washer	1
49	411-017-1-S1	Screw	1



LIST OF PARTS

Trash Vortex Pumps S3000-TS4P V6

Drawing Number: DS-A24-040

Rev:

Date: 8/16/2019

Position	Stancor Part #	Description	Qty.
50	31576-1	Contactora Plate	1
51	721-002-1-XXX	Ring Terminal	3
52	41181-2	Lockwasher	8
53	41203-1	Screw	8
54	30724-1	Washer	3
55	40208	Screw	1
56	41203	Screw	3
57	212-004-1-C11P1	Upper Bearing Housing	1
58	431-002-1-SS1	Nut	2
59	41372	Lock Washer	3
60	411-019-1-SS1	Screw	3
61	224-003-1-SS1	Lifting Lug	2
62	223-002-1-C11P1	Top Cover	1
63	31556	Washer S.S.	1
64	31457	Cable Gland	1
65	31555	Washer Nylon	1
66	31418	Strain Relief Clamp, Screw	2
67	610-017-1	Cable (Feet)	50
68	31449	Screw	2
69	CB-817	Lock Wire	2
70	30779	Strain Relief Clamp,	1
71	620-002-1-SS1	Cable Entry	1
72	41192	O Ring	2
73	830-001-1-OIL	Motor Oil (Quarts)	0.54
74	31380	Shield	2
75	414-003-1-PL2	Plastic Plug	2
76	151-008-1-SS1	Adapter Ring	1
77	411-028-1-SS1	Screw,Hex head	4
78	422-003-1-SS1	Lock Washer	4
79	750-001-1-CU1	Ferrule,4 AWG	3
80	CB-875	Terminal block	3
81	CB-875A	Cover for Terminal block	3
82	70136	End bracket for din rail	2
83	CB-876	Din rail	1
84	70159	Terminal block,22-AWG	2
85	70160	Cover for Terminal block,22-AWG	2