



## LIST OF PARTS

## Mine Trash Vortex Pumps P60CEM-TS4P

Drawing Number: DS-A23-008

Rev: 1

Date: 3/15/2017

Position	Stancor Part #	Description	Qty.
1	41194	Screw	3
2	41181-2	Lock Washer	3
3	152-002-1-CI1	Stand	1
4	411-016-1-SS1	Screw	4
5	150-004-1-SS1	Strainer	1
7	330-002-1-NP2	Discharge Gasket	1
8	161-001-1-CI2	Discharge Elbow	1
9	411-015-1-SS1	Screw	4
10	111-001-1-CI2	Volute	1
11	422-001-1-SS1	Washer	4
12	431-001-1-SS1	Nut	4
13	425-001-1-SS4	Impeller washer	1
14	411-018-1-SS1	Screw	1
15	41181-2	Lock Washer	1
16	440-004-1-SS3	Key	1
17	122-003-1-CI2	Impeller	1
-	122-004-1-CI2	Impeller (optional)	1
18	310-003-1-XX2	Lower Seal Assembly	1
19	411-014-1-SS1	Screw	3
20	40115	Dubo Ring	3
21	213-004-1-SS2	Lower Seal Housing	1
22	320-012-1-BN1	O-Ring	1
23	453-003-1-CS1	Retaining Ring	1
24	421-007-1-SS1	Support Washer	1
25	31620	Upper Seal Assembly	1
26	320-013-1-BN1	O-Ring	1
27	40117	Dubo Ring	2
28	40216	Screw	2
29	40221	Screw	6
30	40218-1	Lock Washer	6
31	213-003-1-DI1	Upper Seal Housing	1
32	320-011-1-BN1	O-Ring	1
33	41375	Lock Washer	6
34	411-013-1-SS1	Screw	6
35	41278	Lip Seal	1
36	453-005-1-SS5	Spiral Ring	1
37	41185-1	Lower Bearing	1
38	211-004-1-CI1P1	Motor Housing	1
39	240-005-1-XXX	Stator	1
40	230-005-1-XXX	Rotor Assembly	1
41	CE-112	MSHA Tag	1
42	30813	Nameplate	1
43	41199	Rivet	8
44	40268-1	Upper Bearing	1
45	41180	O-Ring	1



## LIST OF PARTS

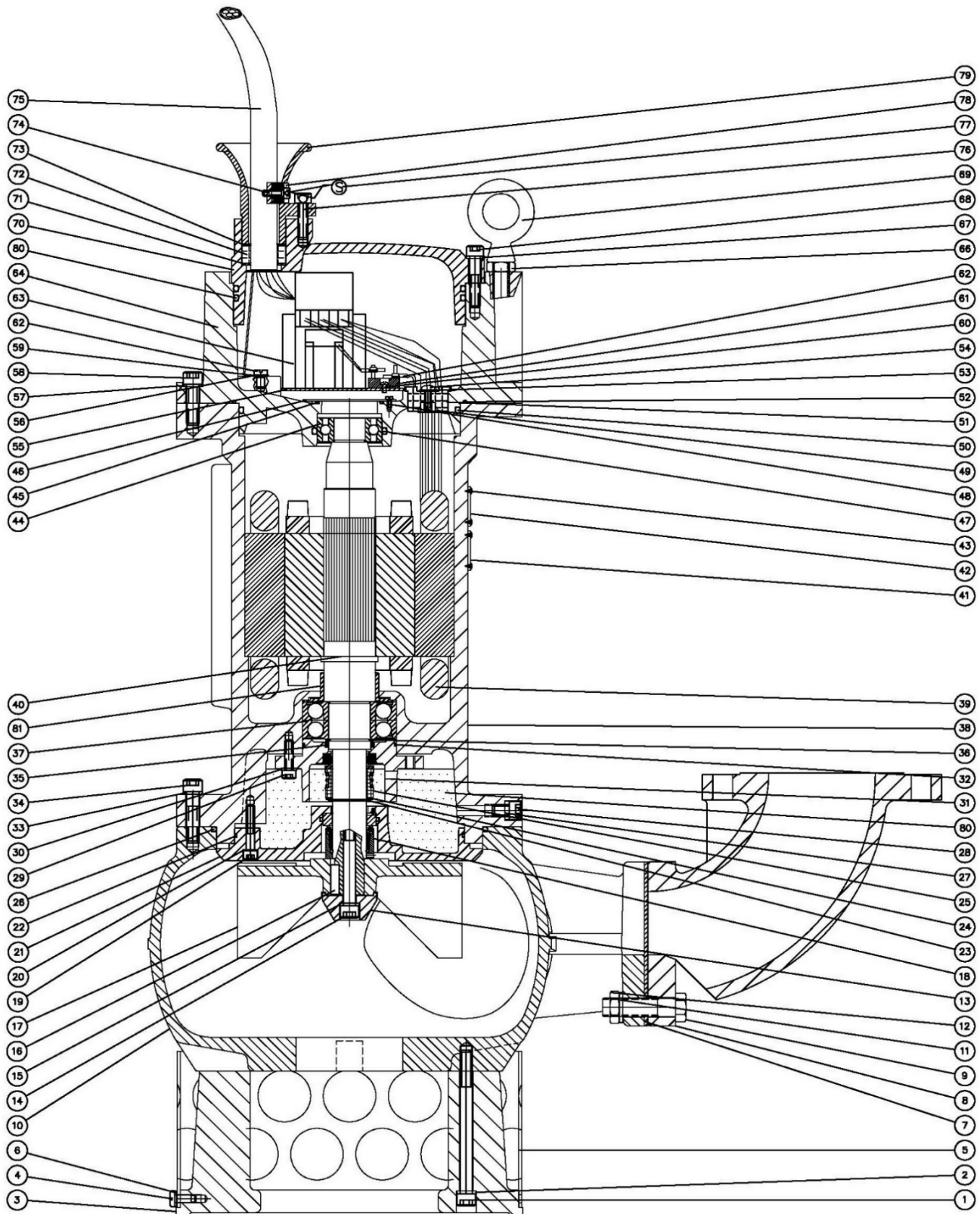
## Mine Trash Vortex Pumps P60CEM-TS4P

**Drawing Number:** DS-A23-008

**Rev:** 1

**Date:** 3/15/2017

Position	Stancor Part #	Description	Qty.
46	30821	Bearing Cover	1
47	41190	O-Ring	1
48	40208	Screw	3
49	434-001-1-ZN1	Tee Nut	1
50	41192	O-Ring	1
51	31573	Stator Lead Grommet	1
52	40181	O-Ring	1
53	31573-2	Washer	1
54	411-017-1-S1	Screw	1
55	31576-1	Contactor Plate	1
56	721-002-1-XXX	Ring Terminal	3
57	41181-2	Lockwasher	8
58	41203-1	Screw	8
59	30724-1	Washer	3
60	40208	Screw	1
61	30400	Terminal block	1
62	41203	Screw	3
63	55015/460	Contactor	1
64	212-004-1-CI1P1	Upper Bearing Housing	1
65	721-001-1-XXX	Connector for thermal	3
66	431-002-1-SS1	Nut	2
67	41372	Lock Washer	3
68	411-019-1-SS1	Screw	3
69	224-003-1-SS1	Lifting Lug	2
70	223-002-1-CI1P1	Top Cover	1
71	31556	Washer S.S.	1
72	31457	Cable Gland	1
73	31555	Washer Nylon	1
74	31418	Strain Relief Clamp, Screw	2
75	6/3G-GC	Cable (Feet)	50
76	31449	Screw	2
77	CB-817	Lock Wire	2
78	30779	Strain Relief Clamp,	1
79	620-002-1-SS1	Cable Entry	1
80	41192	O Ring	2
81	830-001-1-OIL	Motor Oil (Quarts)	2.4
82	31380	Shield	1
83	402117	Screw	2
84	414-003-1-PL2	Plastic Plug	2





# LIST OF PARTS

# Mine Trash Vortex Pumps SX2000-TS4P

Drawing Number: DS-A23-009

Rev: 1

Date: 3/15/2017

Position	Stancor Part #	Description	Qty.
1	41194	Screw	3
2	41181-2	Lock Washer	3
3	152-002-1-CI1	Stand	1
4	411-016-1-SS1	Screw	4
5	150-004-1-SS1	Strainer	1
7	330-002-1-NP2	Discharge Gasket	1
8	161-001-1-CI2	Discharge Elbow	1
9	411-015-1-SS1	Screw	4
10	111-001-1-CI2	Volute	1
11	422-001-1-SS1	Washer	4
12	431-001-1-SS1	Nut	4
13	425-001-1-SS4	Impeller washer	1
14	411-018-1-SS1	Screw	1
15	41181-2	Lock Washer	1
16	440-004-1-SS3	Key	1
17	122-002-1-CI2	Impeller	1
-	122-003-1-CI2	Impeller (optional)	-
18	310-003-1-XX2	Lower Seal Assembly	1
19	411-014-1-SS1	Screw	3
20	40115	Dubo Ring	3
21	213-004-1-SS2	Lower Seal Housing	1
22	320-012-1-BN1	O-Ring	1
23	453-003-1-CS1	Retaining Ring	1
24	421-007-1-SS1	Support Washer	1
25	31620	Upper Seal Assembly	1
26	320-013-1-BN1	O-Ring	1
27	40117	Dubo Ring	2
28	40216	Screw	2
29	40221	Screw	6
30	40218-1	Lock Washer	6
31	213-003-1-DI1	Upper Seal Housing	1
32	320-011-1-BN1	O-Ring	1
33	41375	Lock Washer	6
34	411-013-1-SS1	Screw	6
35	41278	Lip Seal	1
36	453-005-1-SS5	Spiral Ring	1
37	41185-1	Lower Bearing	1
38	211-004-1-CI1P1	Motor Housing	1
39	240-004-1-XXX	Stator	1
40	230-004-1-XXX	Rotor Assembly	1
41	CE-112	MSHA Tag	1
42	30813	Nameplate	1
43	41199	Rivet	8
44	40268-1	Upper Bearing	1
45	41180	O-Ring	1



# LIST OF PARTS

# Mine Trash Vortex Pumps SX2000-TS4P

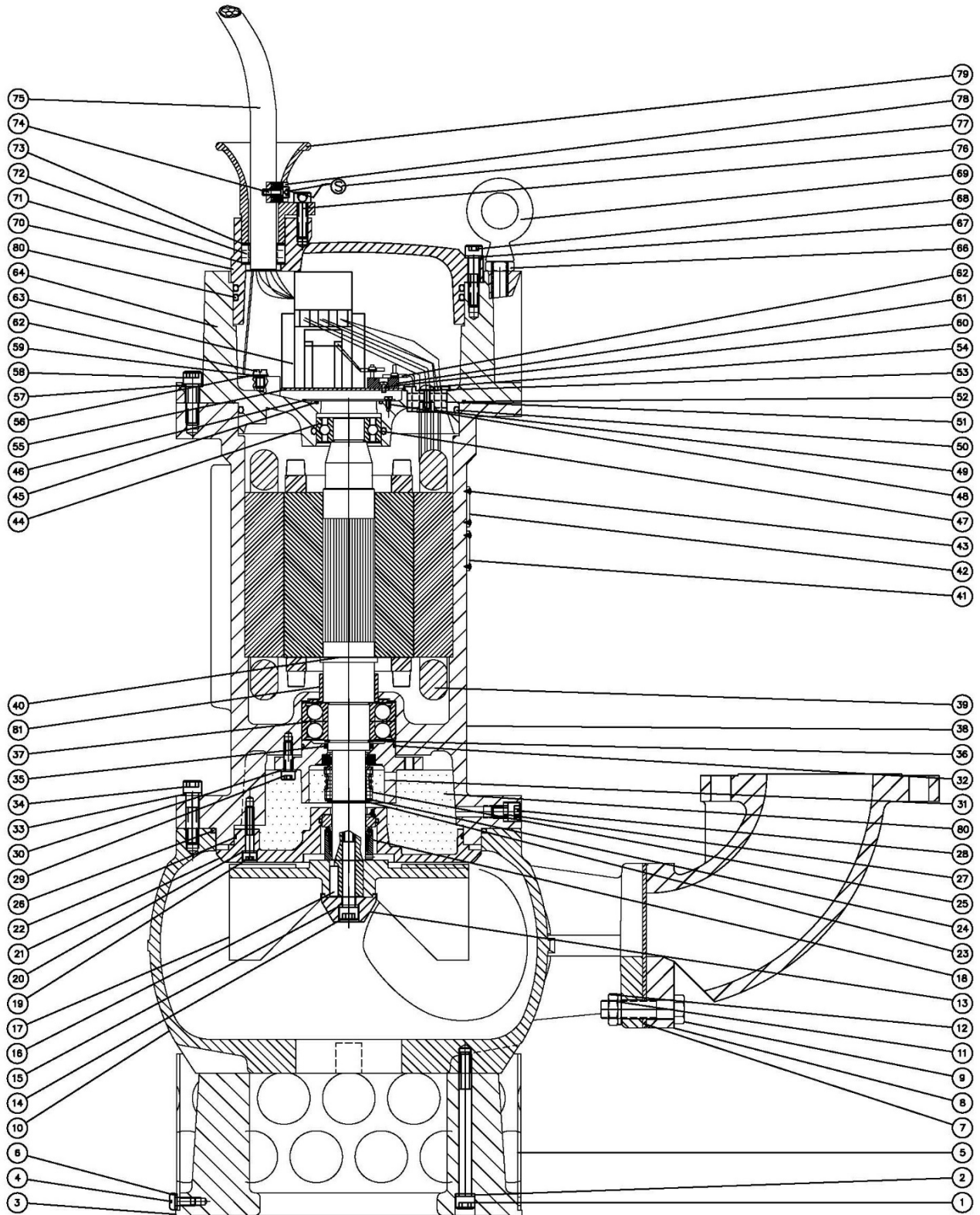
**Drawing Number:** DS-A23-009

**Rev:** 1

**Date:** 3/15/2017

Position	Stancor Part #	Description	Qty.
46	30821	Bearing Cover	1
47	41190	O-Ring	1
48	40208	Screw	3
49	434-001-1-ZN1	Tee Nut	1
50	41192	O-Ring	1
51	31573	Stator Lead Grommet	1
52	40181	O-Ring	1
53	31573-2	Washer	1
54	411-017-1-S1	Screw	1
55	31576-1	Contactor Plate	1
56	721-002-1-XXX	Ring Terminal	3
57	41181-2	Lockwasher	8
58	41203-1	Screw	8
59	30724-1	Washer	3
60	40208	Screw	1
61	30400	Terminal block	1
62	41203	Screw	3
63	55015/460	Contactor	1
64	212-004-1-CI1P1	Upper Bearing Housing	1
65	721-001-1-XXX	Connector for thermal	3
66	431-002-1-SS1	Nut	2
67	41372	Lock Washer	3
68	411-019-1-SS1	Screw	3
69	224-003-1-SS1	Lifting Lug	2
70	223-002-1-CI1P1	Top Cover	1
71	31556	Washer S.S.	1
72	31457	Cable Gland	1
73	31555	Washer Nylon	1
74	31418	Strain Relief Clamp, Screw	2
75	6/3G-GC	Cable (Feet)	50
76	31449	Screw	2
77	CB-817	Lock Wire	2
78	30779	Strain Relief Clamp,	1
79	620-002-1-SS1	Cable Entry	1
80	41192	O Ring	2
81	830-001-1-OIL	Motor Oil (Quarts)	2.4
82	31380	Shield	1
83	402117	Screw	2
84	414-003-1-PL2	Plastic Plug	2







## LIST OF PARTS

## Mine Trash Vortex Pumps P70CE-TS4P

Drawing Number: DS-A23-010

Rev: 1

Date: 3/15/2017

Position	Stancor Part #	Description	Qty.
1	41194	Screw	3
2	41181-2	Lock Washer	3
3	152-002-1-CI1	Stand	1
4	411-016-1-SS1	Screw	4
5	150-004-1-SS1	Strainer	1
7	330-002-1-NP2	Discharge Gasket	1
8	161-001-1-CI2	Discharge Elbow	1
9	411-015-1-SS1	Screw	4
10	111-001-1-CI2	Volute	1
11	422-001-1-SS1	Washer	4
12	431-001-1-SS1	Nut	4
13	425-001-1-SS4	Impeller washer	1
14	411-018-1-SS1	Screw	1
15	41181-2	Lock Washer	1
16	440-004-1-SS3	Key	1
17	122-001-1-CI2	Impeller	1
-	122-002-1-CI2	Impeller (optional)	-
18	310-003-1-XX2	Lower Seal Assembly	1
19	411-014-1-SS1	Screw	3
20	40115	Dubo Ring	3
21	213-004-1-SS2	Lower Seal Housing	1
22	320-012-1-BN1	O-Ring	1
23	453-003-1-CS1	Retaining Ring	1
24	421-007-1-SS1	Support Washer	1
25	31620	Upper Seal Assembly	1
26	320-013-1-BN1	O-Ring	1
27	40117	Dubo Ring	2
28	40216	Screw	2
29	40221	Screw	6
30	40218-1	Lock Washer	6
31	213-003-1-DI1	Upper Seal Housing	1
32	320-011-1-BN1	O-Ring	1
33	41375	Lock Washer	6
34	411-013-1-SS1	Screw	6
35	41278	Lip Seal	1
36	453-005-1-SS5	Spiral Ring	1
37	41185-1	Lower Bearing	1
38	211-003-1-CI1P1	Motor Housing	1
39	240-003-1-XXX	Stator	1
40	230-003-1-XXX	Rotor Assembly	1
41	CE-112	MSHA Tag	1
42	30813	Nameplate	1
43	41199	Rivet	8
44	40268-1	Upper Bearing	1
45	41180	O-Ring	1



## LIST OF PARTS

## Mine Trash Vortex Pumps P70CE-TS4P

**Drawing Number:** DS-A23-010

**Rev:** 1

**Date:** 3/15/2017

Position	Stancor Part #	Description	Qty.
46	30821	Bearing Cover	1
47	41190	O-Ring	1
48	40208	Screw	3
49	434-001-1-ZN1	Tee Nut	1
50	41192	O-Ring	1
51	31573	Stator Lead Grommet	1
52	40181	O-Ring	1
53	31573-2	Washer	1
54	411-017-1-S1	Screw	1
55	31576-1	Contacto Plate	1
56	721-002-1-XXX	Ring Terminal	3
57	41181-2	Lockwasher	8
58	41203-1	Screw	8
59	30724-1	Washer	3
60	40208	Screw	1
61	30400	Terminal block	1
62	41203	Screw	3
63	55015/460	Contacto	1
64	212-004-1-CI1P1	Upper Bearing Housing	1
65	721-001-1-XXX	Connector for thermal	3
66	431-002-1-SS1	Nut	2
67	41372	Lock Washer	3
68	411-019-1-SS1	Screw	3
69	224-003-1-SS1	Lifting Lug	2
70	223-002-1-CI1P1	Top Cover	1
71	31556	Washer S.S.	1
72	31457	Cable Gland	1
73	31555	Washer Nylon	1
74	31418	Strain Relief Clamp, Screw	2
75	6/3G-GC	Cable (Feet)	50
76	31449	Screw	2
77	CB-817	Lock Wire	2
78	30779	Strain Relief Clamp,	1
79	620-002-1-SS1	Cable Entry	1
80	41192	O Ring	2
81	830-001-1-OIL	Motor Oil (Quarts)	2.4
82	31380	Shield	1
83	402117	Screw	2
84	414-003-1-PL2	Plastic Plug	2



**CROSS SECTION**

**Mine Trash Vortex Pumps P70CE-TS4P**

**Drawing Number:** DS-A23-007

**Rev:**

**Date:** 5/26/2016

