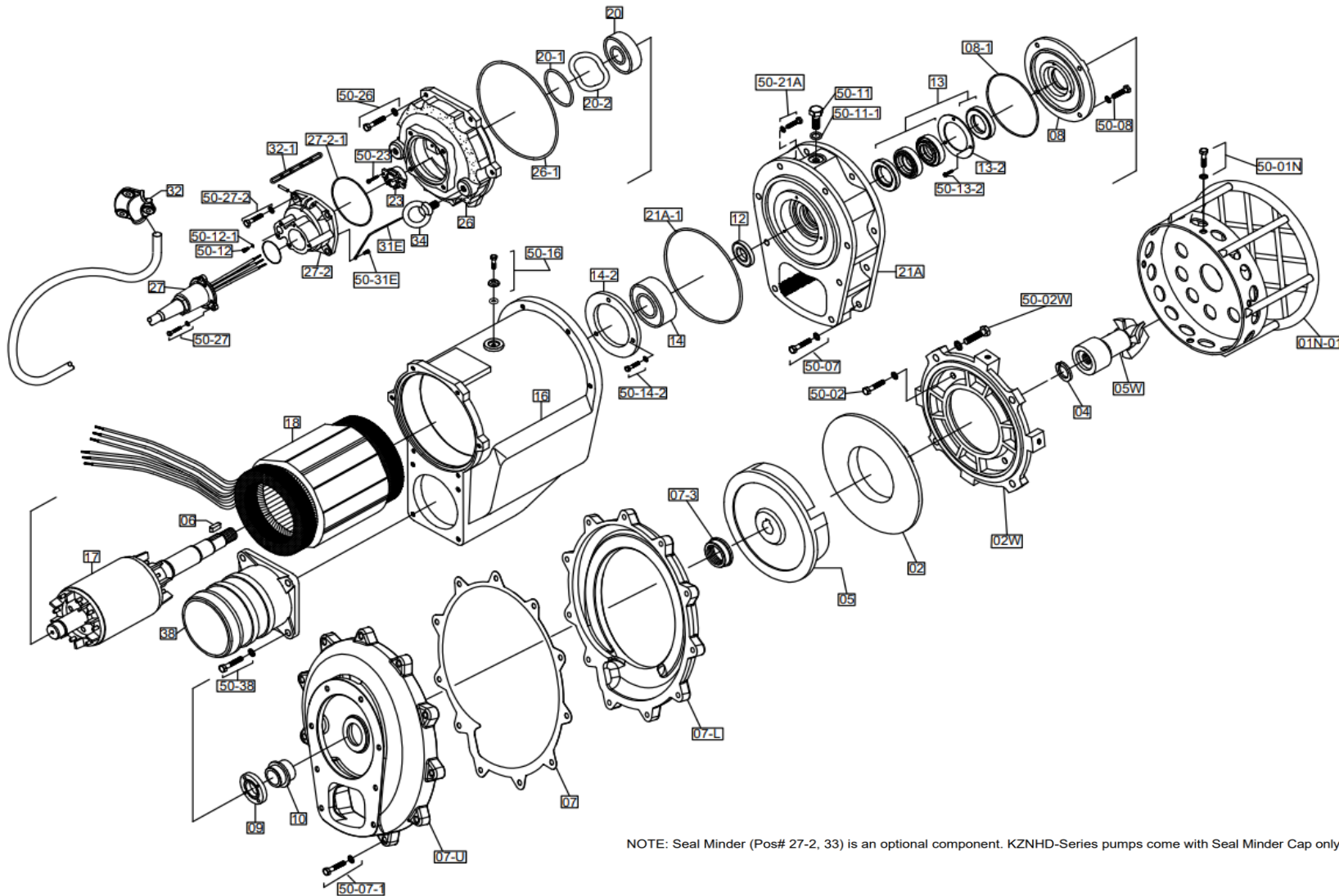


NOTE: Seal Minder (Pos# 27-2, 33) is an optional component. KZNHD-Series pumps come with Seal Minder Cap only (Pos# 27-3)

©2025 Industrial Flow Solutions Operating, LLC. All rights reserved.

Industrial Flow Solutions Operating, LLC • 104 John W Murphy Drive, New Haven, CT 06513, USA

(860) 631-3618 • www.flowsolutions.com

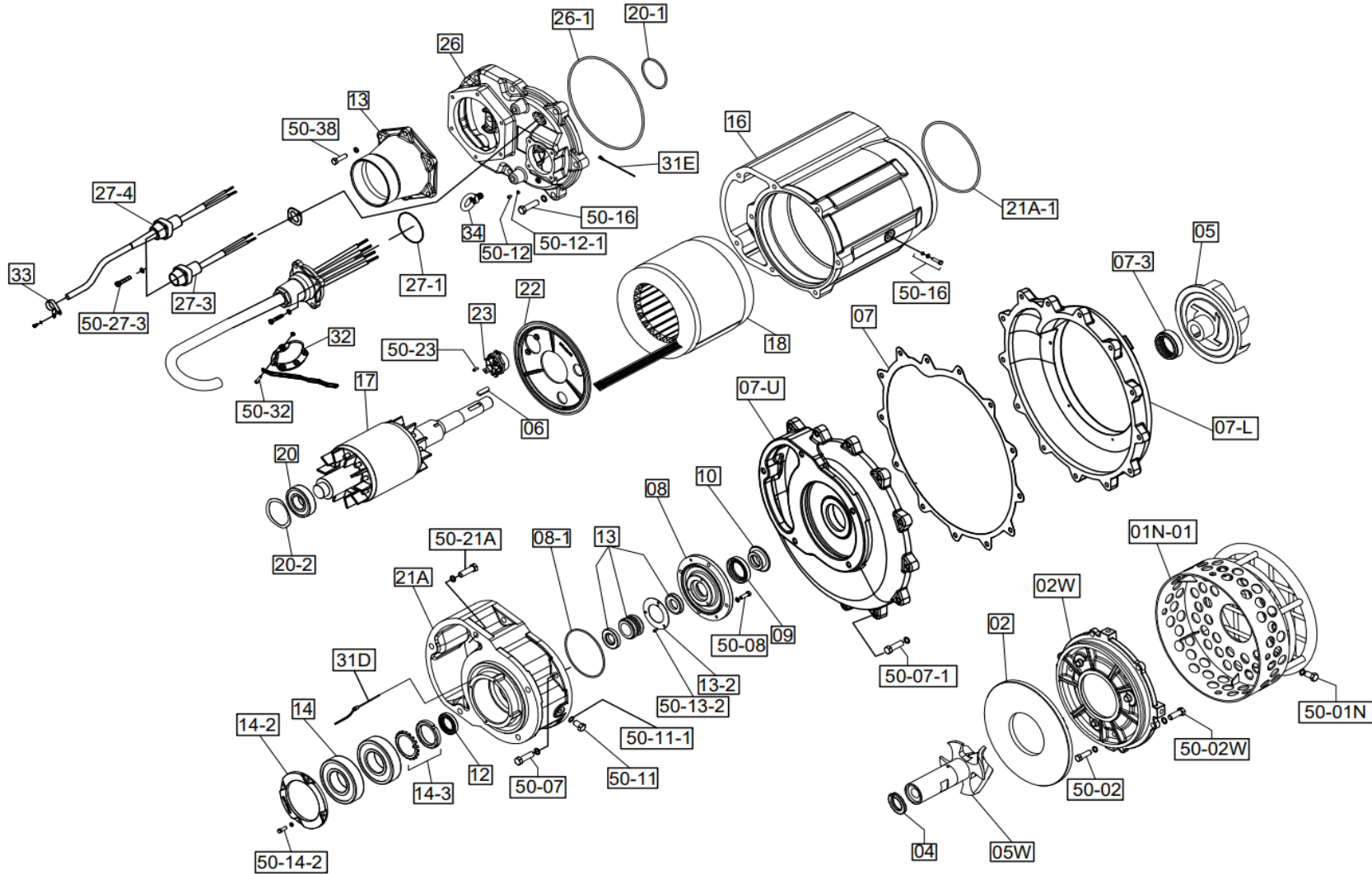


NOTE: Seal Minder (Pos# 27-2, 33) is an optional component. KZNHD-Series pumps come with Seal Minder Cap only (Pos# 27-3)

©2025 Industrial Flow Solutions Operating, LLC. All rights reserved.

Industrial Flow Solutions Operating, LLC • 104 John W Murphy Drive, New Haven, CT 06513, USA

(860) 631-3618 • www.flowsolutions.com



NOTE: Seal Minder (Pos# 27-2, 33) is an optional component. KZNHD-Series pumps come with Seal Minder Cap only (Pos# 27-3)

©2025 Industrial Flow Solutions Operating, LLC. All rights reserved.

Industrial Flow Solutions Operating, LLC • 104 John W Murphy Drive, New Haven, CT 06513, USA

(860) 631-3618 • www.flowsolutions.com



KZNMD SERIES PARTS LIST

Dwg:	DS-C69-023	Rev:	1	Date:	12/17/2025
-------------	------------	-------------	---	--------------	------------

Pos	Part Description	Pump Model			
		KZN37MD	KZN55MD	KZN55HMD	KZN75MD
01N-01	Stand w/ Strainer Plate	201982	201982	201983	201982
02	Wear Plate	130-005-1-HC1		130-006-1-HC1	130-005-1-HC1
02W	Suction Cover	131-002-1-HC1		131-003-1-HC1	131-004-1-HC1
04	Lock Washer	202917	202917	202917	202917
05	Impeller	121-031-1-HC1	121-032-1-HC1	121-033-1-HC1	121-034-1-HC1
05W	Agitator/Agitator with Spindle*	124-001-1-HC1			
06	Impeller Key	202146	202146	202146	202146
07-U	Pump Housing, Upper	112-001-1-HC1		112-003-1-HC1	112-001-1-HC1
07-L	Pump Housing, Lower	112-002-1-HC1		112-004-1-HC1	112-002-1-HC1
07	Pump Housing Gasket	330-015-1-XXX		330-016-1-XXX	330-015-1-XXX
07-3	Pump Housing Sleeve	171-002-1-XXX			
08	Oil Chamber Cover	213-036-1-HC1			
08 -1	O-Ring (Kit Only)	Kit	Kit	Kit	Kit
09	Lip Seal Buna N	202248	202248	202248	202248
10	Shaft Sleeve	171-005-1-XXX			
11	Oil Plug, Pump Top Cover, M6X8	-	-	-	-
11	Oil Plug, Oil Chamber, M16X25	-	-	-	-
12	Upper Lip Seal Buna N	-	-	-	-
13	Mech. Seals - Set FKM**	200419	200419	200419	200419
13-2	Mech. Seal Retainer	-	-	-	-
14	Lower Ball Bearing	200963 (x1)	200963 (x1)	200963 (x1)	200963 (x1)
14-2	Lower Bearing Retainer	202276	202276	202276	202276
14-3	Retaining Locknut & Ring	-	-	-	-
15	Impeller Shim Kit (Required)	200475	200475	200475	200475
16	Motor Housing.	202295	202295	202295	203081
17	Rotor w/ Shaft, 3 phase	202349	202350	202350	202351
18	Stator 230V/460V 3 phase	200681	200683	200683	200685
18	Stator 460V 3 phase	-	-	-	-
18	Stator 575V, 3 phase	200695	200697	200697	200699
20	Upper Ball Bearing	200968	200968	200968	200968
20-1	O-Ring (Kit Only)	Kit	Kit	Kit	Kit
20-2	Spring Washer	202362	202362	202362	202362

21A	Lower Bearing Housing	202377	202377	202377	202377
21A	Oil Chamber	-	-	-	-
21A-1	O-Ring (Kit Only)	-	-	-	-
21A-1	O-Ring (Kit Only)	Kit	Kit	Kit	Kit
22	Cover Plate Upper	-	-	-	-
23	Overload 230V, 3PH	202392	202394	202394	202396
23	Overload 460V, 3PH	202391	202393	202393	202394
23	Overload 575V, 3 PH	202389	202391	202391	202393
26	Pump Top Cover	203136	203136	203136	203136
26-1	O-Ring (Kit Only)	Kit	Kit	Kit	Kit
27	Power Cord Set (5 lead)	203452	203455	203455	203455
27-1	O-Ring (Kit Only)	Kit	Kit	Kit	Kit
27-2-1	O-Ring (Kit Only)	Kit	Kit	Kit	Kit
27-3	Housing, Cable Gland	-	-	-	-
27-3	Seal Minder cap	201717	201717	201717	201717
27-3-1	O-Ring (Kit Only)	Kit	Kit	Kit	Kit
27-4	Seal Minder cord	201714	201714	201714	201714
27-4	Housing, Cable Gland Compression	-	-	-	-
27-5	Washer, Cable Gland	-	-	-	-
27-6	Gland, Lower Cable	-	-	-	-
27-7	Gland, Upper Cable	-	-	-	-
28	Seal Minder Cap	-	-	-	-
30	Seal Minder Cord	-	-	-	-
31D	Seal Minder Sensor w/ wire	203114	203114	203114	203114
31E	Ground Wire w/ Ring Term.	203145	203145	203145	203145
32	Power Cable Strain Relief	202497	202506	202506	202506
33	Seal Minder Cord Line Clip	203163	203163	203163	203163
34	Lift Ring	203172	203172	203172	203172
38	3" NPT Male Coupling Flange	202583	202583	202583	-
38	4" NPT Male Coupling Flange	202585	202585	202585	202585
38	6" NPT Male Coupling Flange	-	-	-	-
38	8" Coupling Flange	-	-	-	-
38B	3" Hose Barb Fitting	202584	202584	202584	-
38B	4" Hose Barb Fitting	202586	202586	202586	202586
38B	6" Hose Barb Fitting	-	-	-	-
38B	8" Hose Barb Fitting	-	-	-	-
50-01N	Bolt - Stand	203258	203258	203258	203258
50-02	Bolt - Wear Plate	203253	203253	203253	203253

50-02W	Bolt - Suction Cover	203236	203236	203236	203236
50-07	Bolt - Pump Housing to Motor Housing	203271	203271	203271	203271
50-07-1	Bolt - Pump Housing	206381	206381	206381	206381
50-07-2	Bolt - Lower Pump Housing to Upper	206390	206390	-	206390
50-08	Bolt - Oil Chamber Cover	203229	203229	203229	203229
50-11	Bolt - Oil Inspection	203261	203261	203261	203261
50-11-1	O-Ring (Kit Only)	Kit	Kit	Kit	Kit
50-12	Screw - Pressure Test	203218	203218	203218	203218
50-12-1	O-Ring (Kit Only)	Kit	Kit	Kit	Kit
50-13-2	Screw - Seal Retainer	-	-	-	-
50-14-2	Bolt - Bearing Retainer	203249	203249	203249	203249
50-16	Stator lock bolt, ring, O-Ring	202806	202806	202806	202806
50-21A	Bolt - Bearing Housing	203229	203229	203229	203229
50-21A	Bolt - Oil Housing	-	-	-	-
50-23	Bolt - Overload Protector	202700	202700	202700	202700
50-26	Bolt-Top Cover	203243	203243	203243	203243
50-27	Bolt - Power Cord	203256	203256	203256	203256
50-27-2	Bolt - Power Cord Housing	203262	203262	203262	203262
50-27-3	Screw	203216	203216	203216	203216
50-31E	Screw - Ground Wire	202692	202692	202692	202692
50-32	Bolt- Cable Strain Relief	203246	203246	203246	203246
50-38	Bolt - Discharge Flange	203262	203262	203262	203262
O-Ring Kit - Buna N		202653	202653	202653	202653

****All 1 HP and up BJM Pumps® mechanical seal elastomer material is FKM**