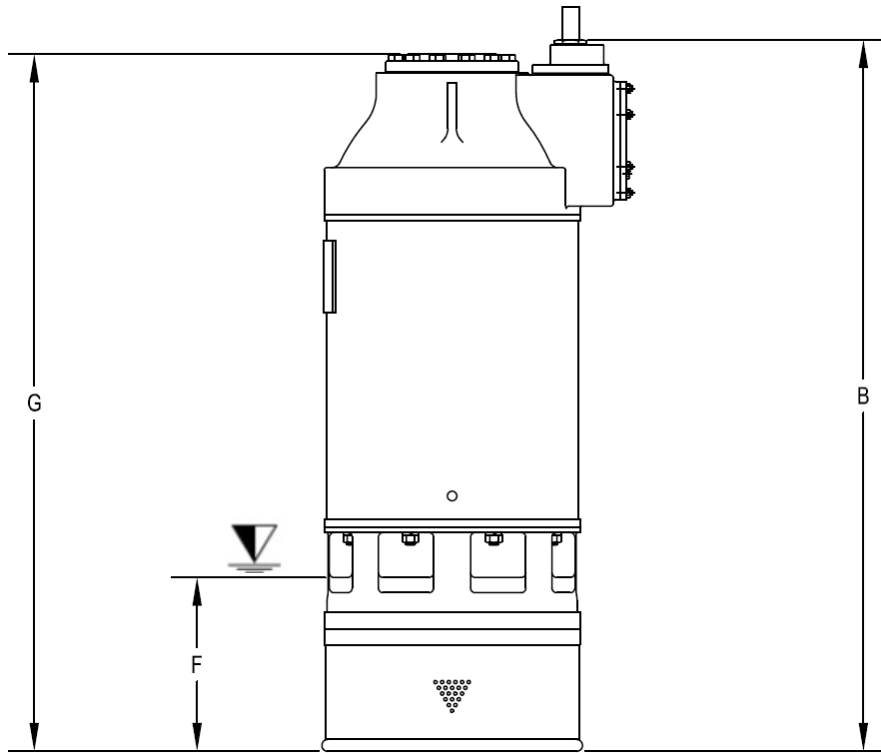
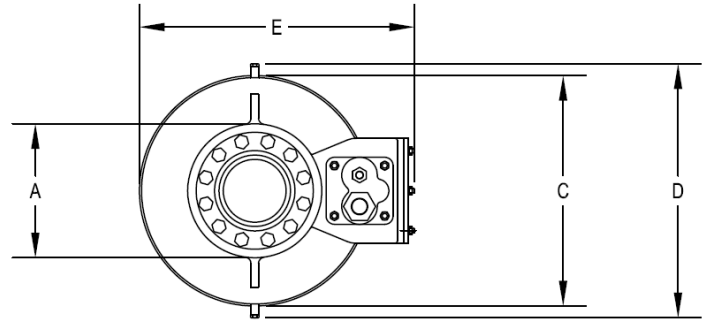
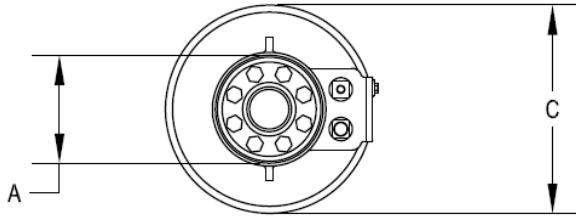




**KHD110/220
KHH220**

KHD450/750



Minimum Submersion Level

MODEL	Dimensions in mm unless otherwise specified						
	A	B	C	D	E	F	G
KHD110	3" ANSI	795	401	-	-	200	808
KHD220	4" ANSI	1036	419	-	-	196	1054
KHH220	3" ANSI	1158	419	-	-	310	1168
KHD450	6" ANSI	1501	551	607	655	368	1473
KHD750	6" ANSI	1501	551	607	655	368	1473

©2026 Industrial Flow Solutions Operating, LLC. All rights reserved.

Industrial Flow Solutions Operating, LLC • 104 John W Murphy Drive, New Haven, CT 06513, USA
(860) 631-3618 • www.flowsolutions.com

SPECIFICATIONS SUBJECT TO CHANGE WITHOUT NOTICE